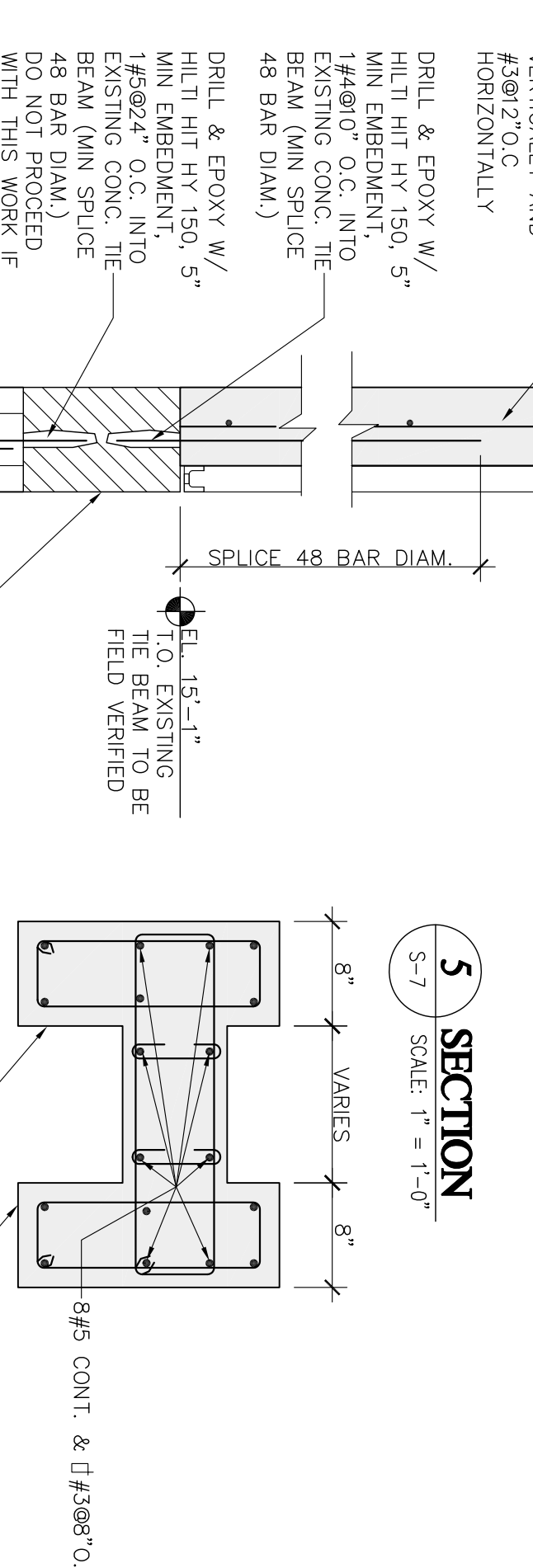


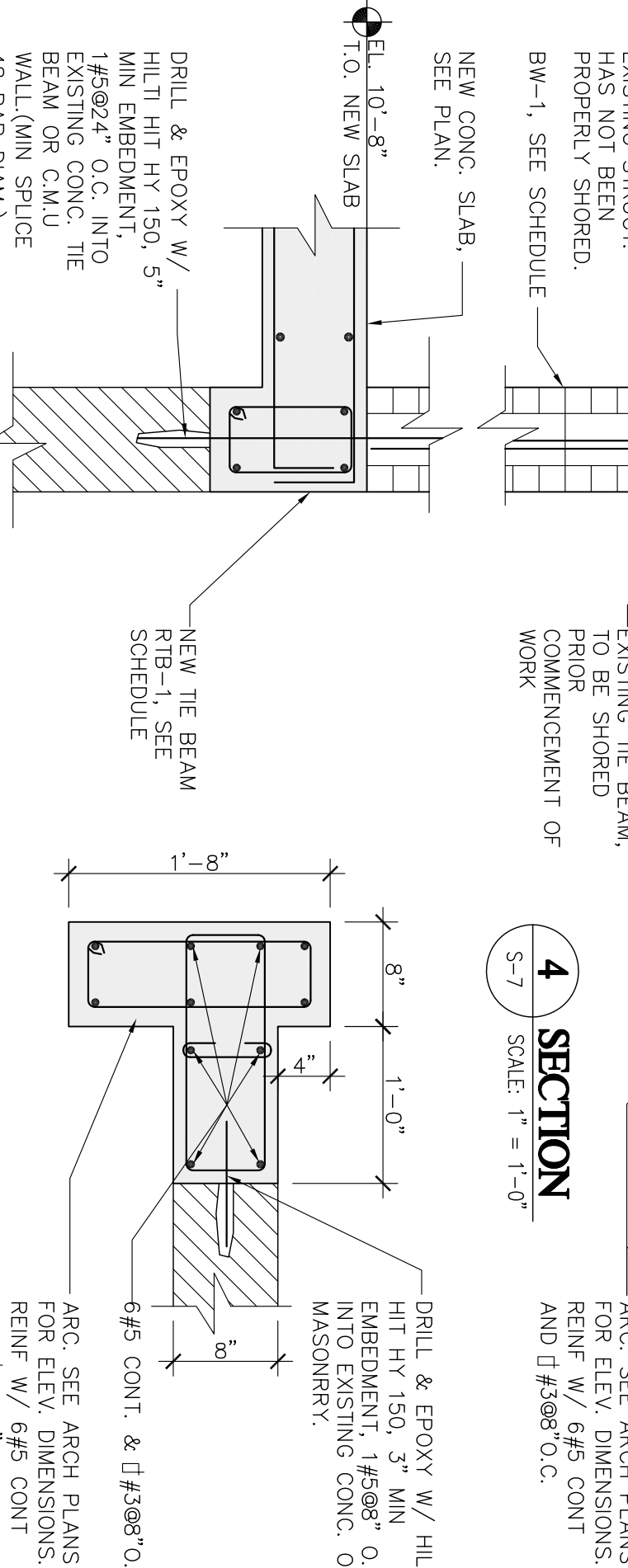
7 SECTION
 SCALE: 1" = 1'-0"



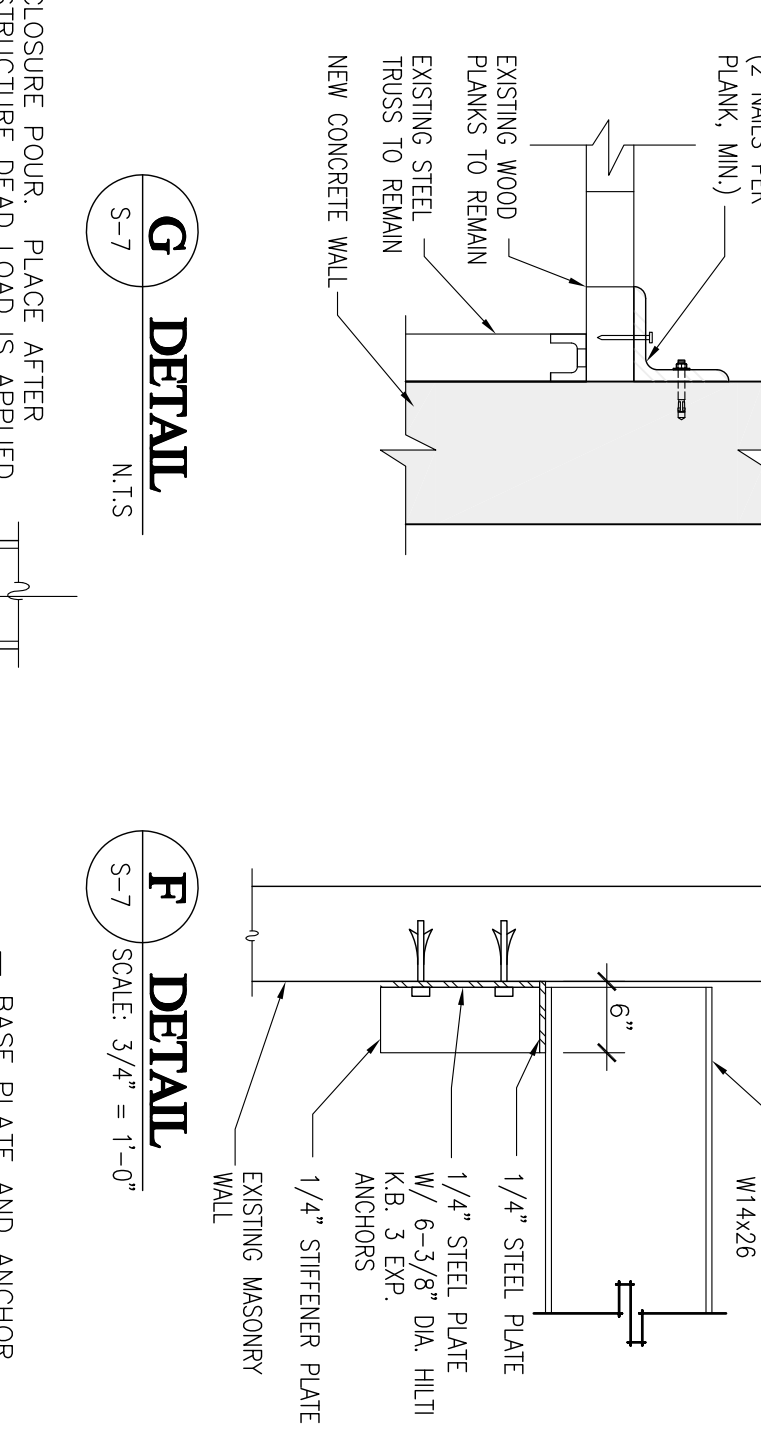
5 SECTION
 SCALE: 1" = 1'-0"



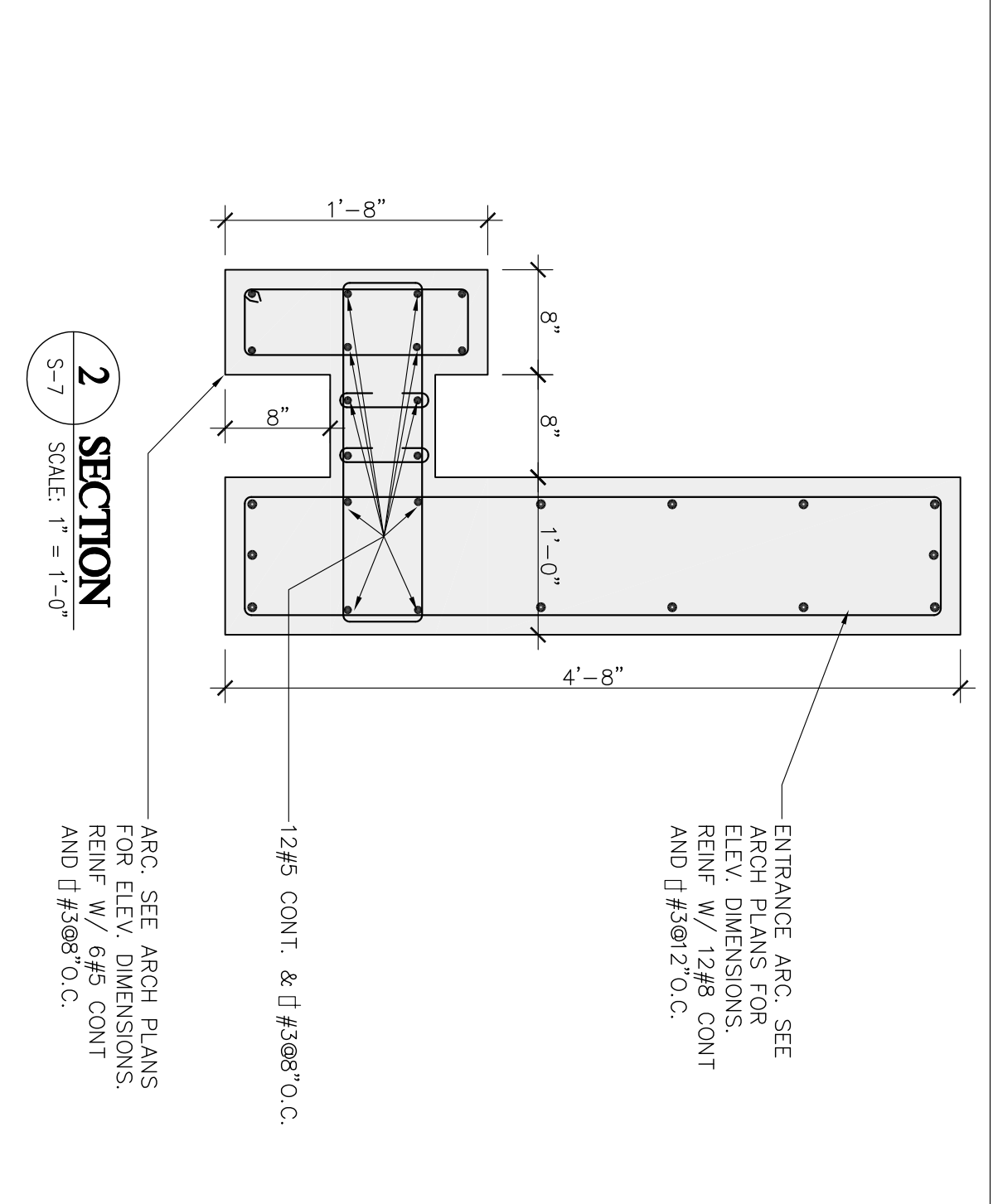
6 SECTION
 SCALE: 1" = 1'-0"



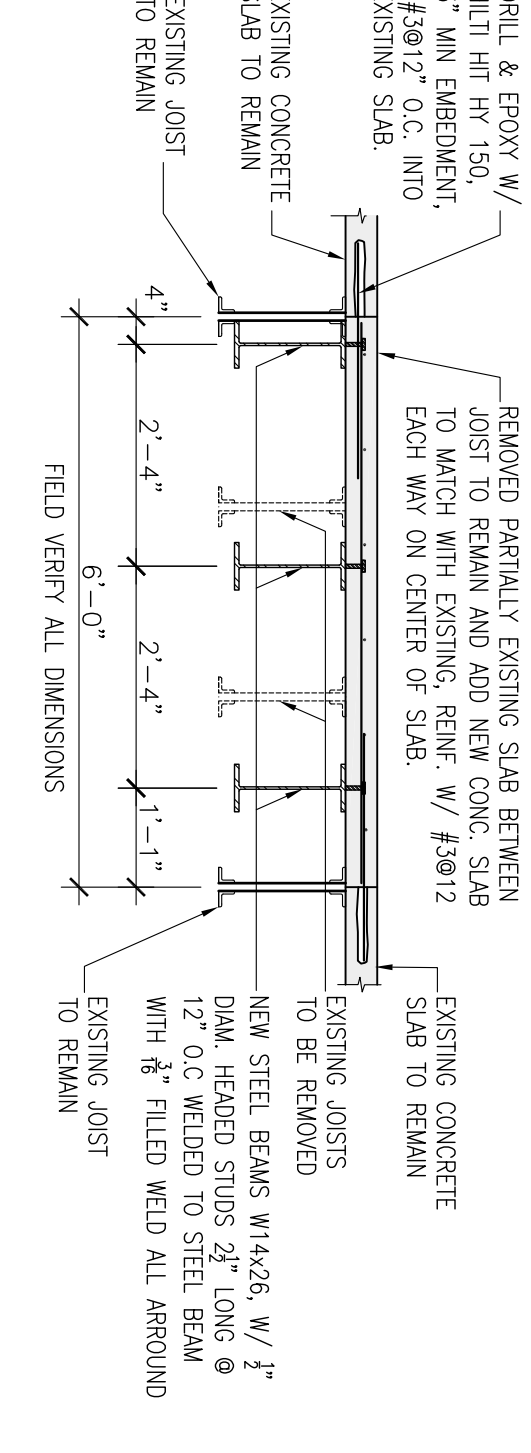
4 SECTION
 SCALE: 1" = 1'-0"



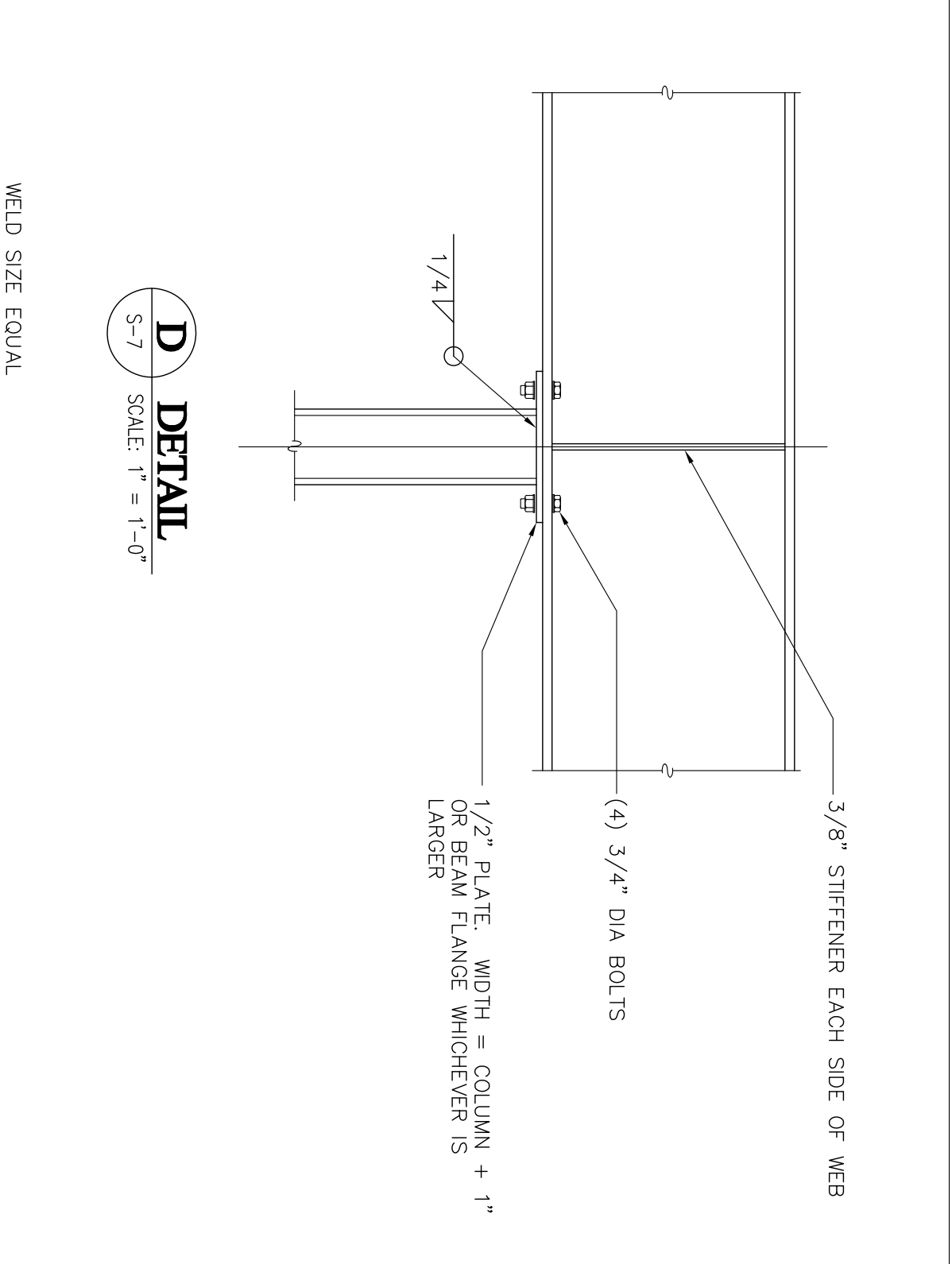
3 SECTION
 SCALE: 1" = 1'-0"



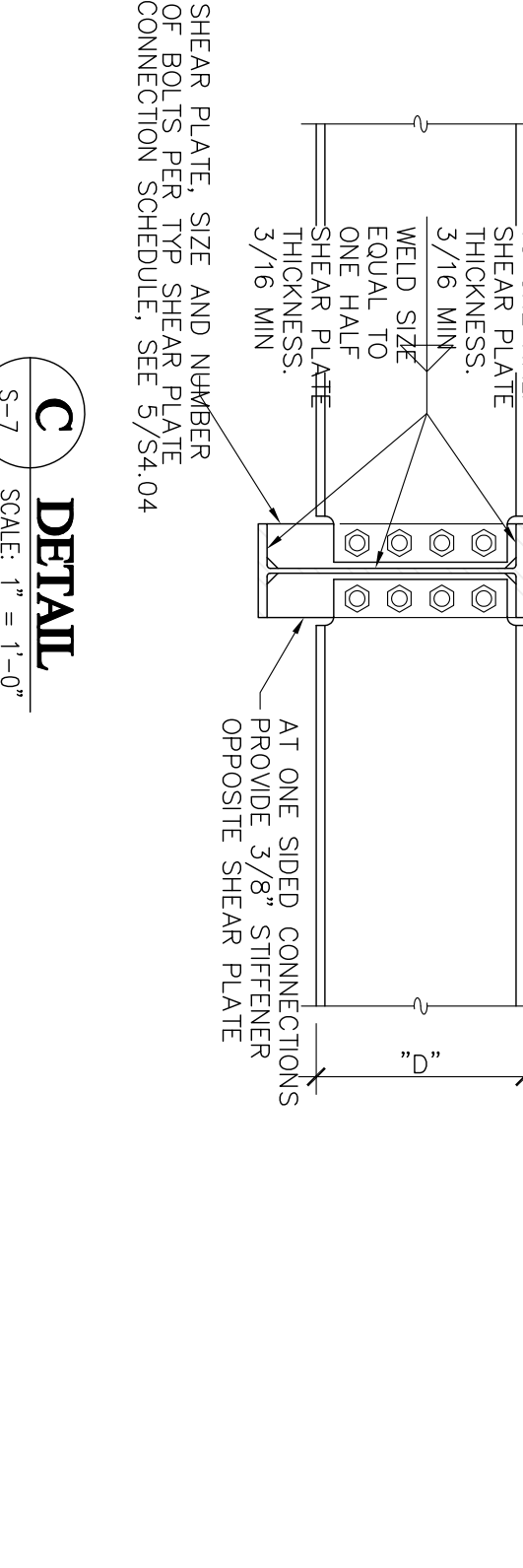
2 SECTION
 SCALE: 1" = 1'-0"



1 SECTION
 SCALE: 1/2" = 1'-0"



D DETAIL
 SCALE: 1" = 1'-0"

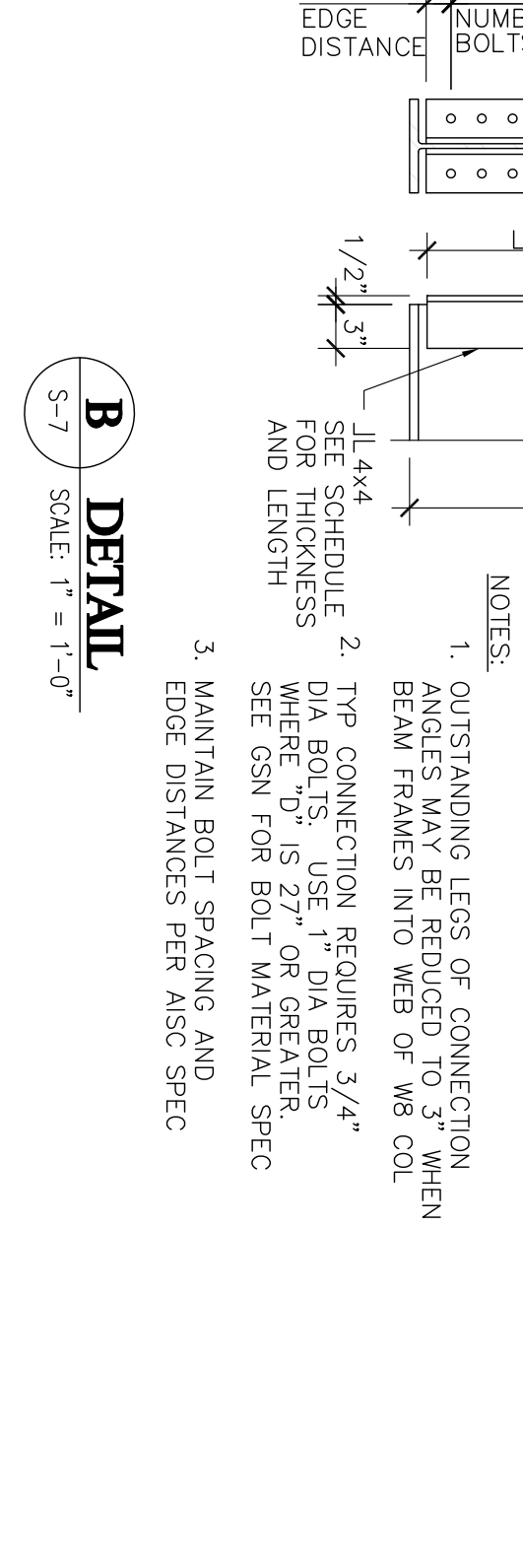


C DETAIL
 SCALE: 1" = 1'-0"

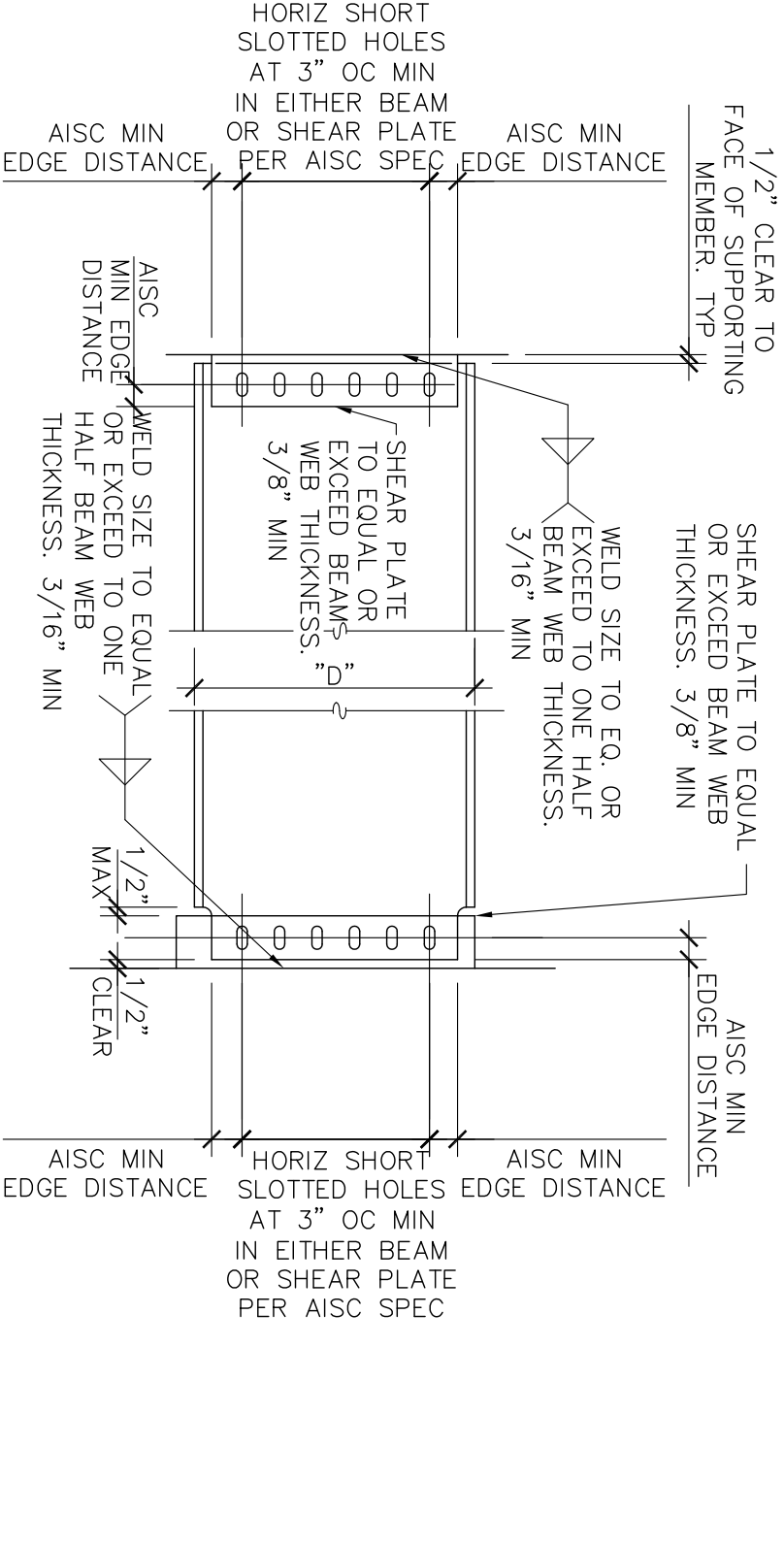
NOTES:

- OUTSTANDING LEGS OF CONNECTION ANGLE MAY BE REDUCED TO 3" WHEN BEAM FRAMES INTO WEB OF WB COL.
- TYP CONNECTION REQUIRES 3/4" DIA BOLTS, USE 1" DIA BOLTS WHERE "D" IS 27" OR GREATER. SEE OSN FOR BOLT MATERIAL SPEC.
- MAINTAIN BOLT SPACING AND EDGE DISTANCES PER AISC SPEC.

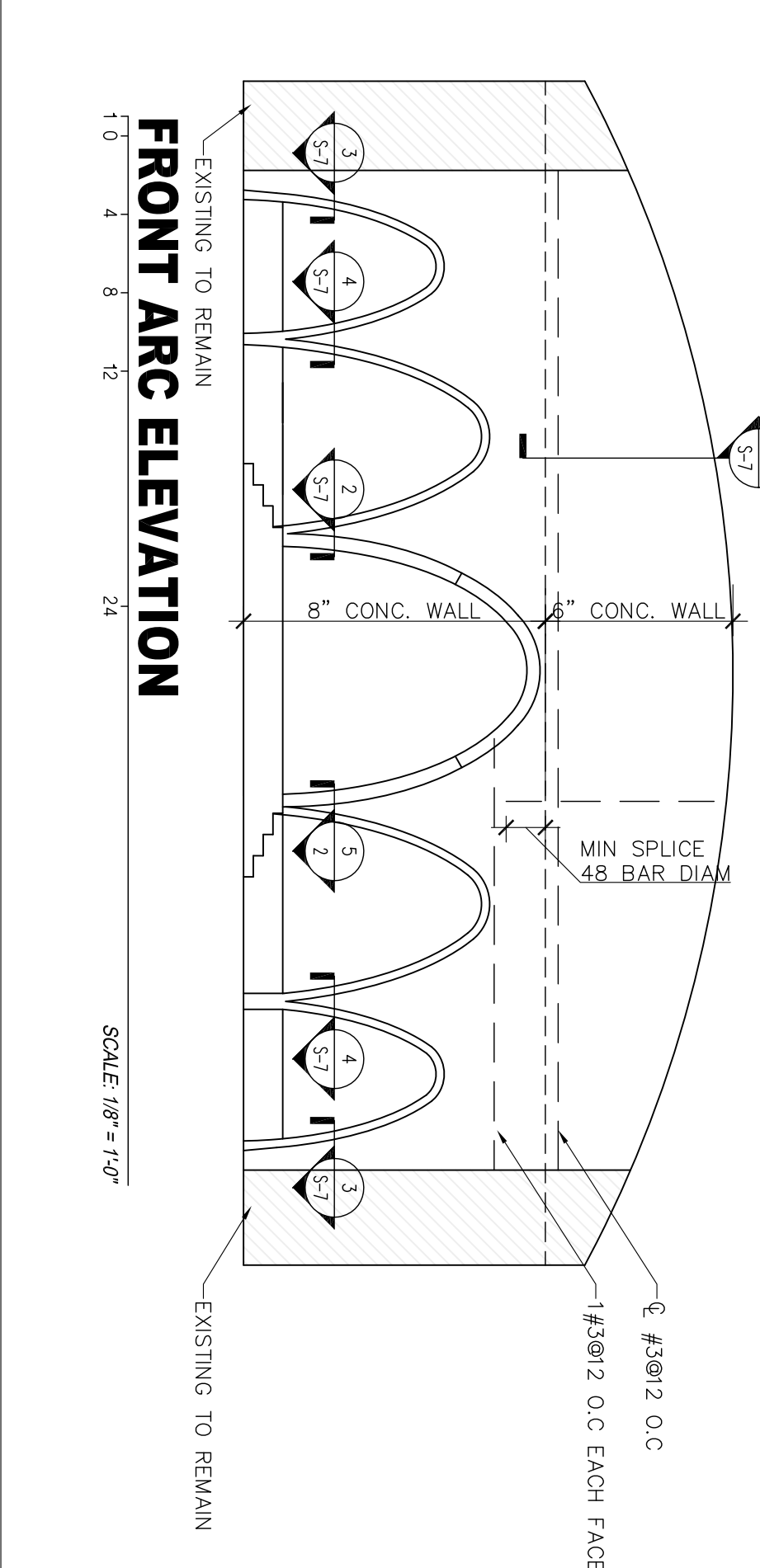
NOMINAL BEAM DEPTH	NO. OF BOLTS	CONNECTION ANGLE	WELD SIZE
6"	2	5/16" x 4"	3/16"
8" TO 10"	4	5/16" x 5 1/2"	1/4"
12" TO 14"	6	5/16" x 8 1/2"	1/4"
16" TO 18"	8	3/8" x 11 1/2"	1/4"
21"	10	3/8" x 1-2 1/2"	1/4"
24"	12	3/8" x 1-5 1/2"	1/4"
27"	14	3/8" x 1-8 1/2"	1/4"
30"	16	3/8" x 1-11 1/2"	1/4"
33"	18	3/8" x 2-5 1/2"	1/4"
36"	20	3/8" x 2-5 1/2"	1/4"



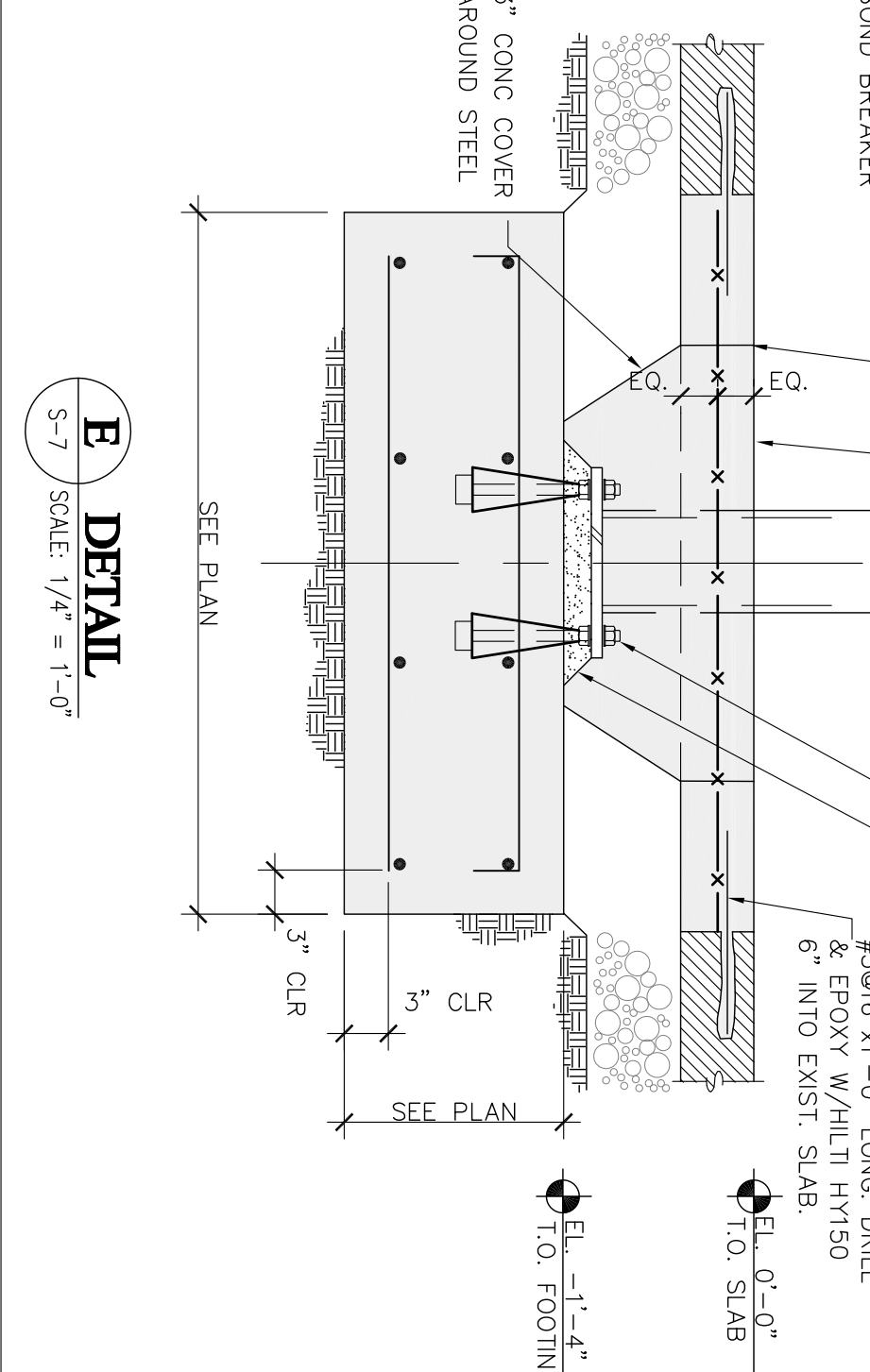
B DETAIL
 SCALE: 1" = 1'-0"



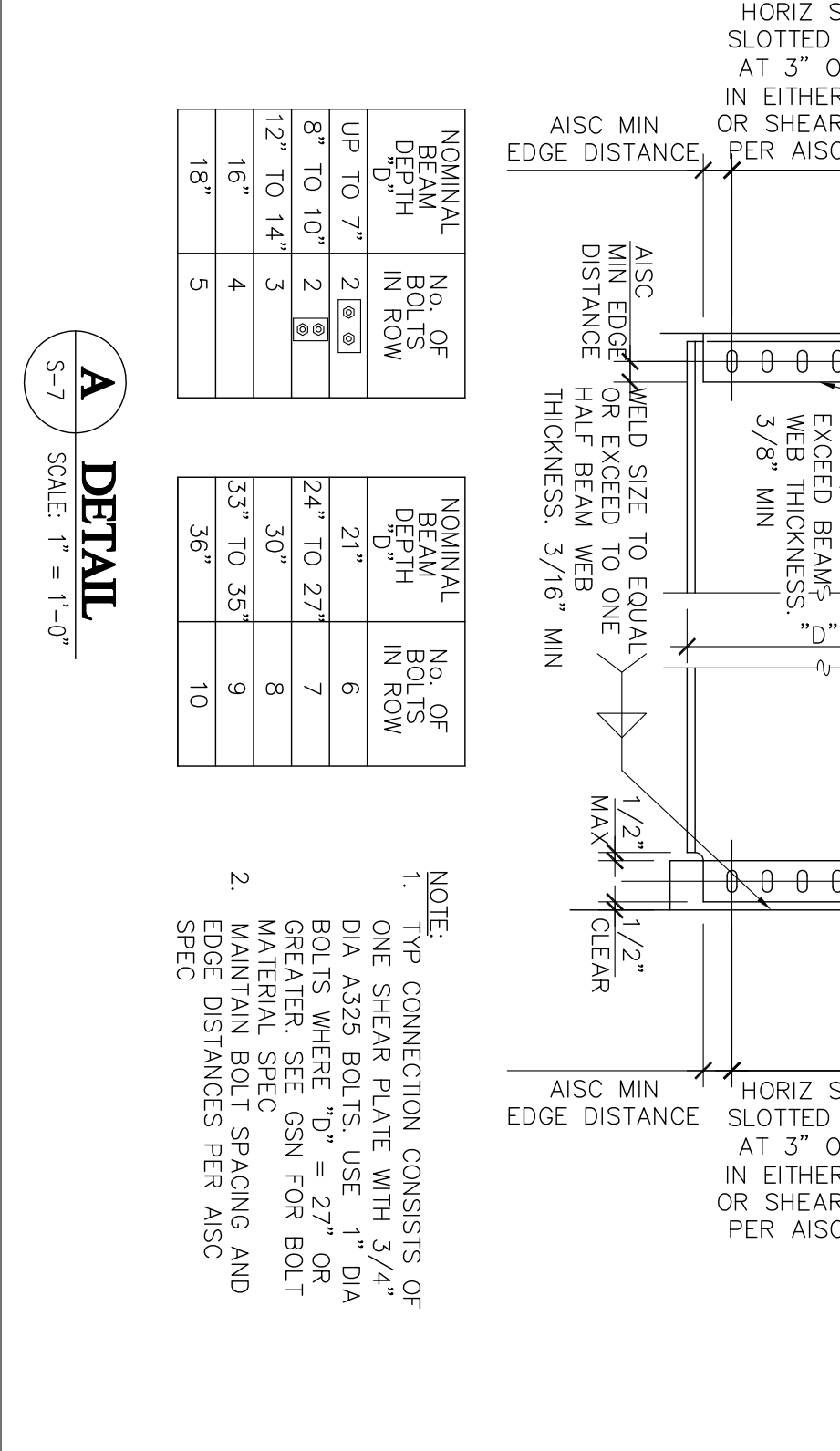
A DETAIL
 SCALE: 1" = 1'-0"



FRONT ARC ELEVATION
 SCALE: 1/8" = 1'-0"



E DETAIL
 SCALE: 1/4" = 1'-0"



F DETAIL
 SCALE: 3/4" = 1'-0"