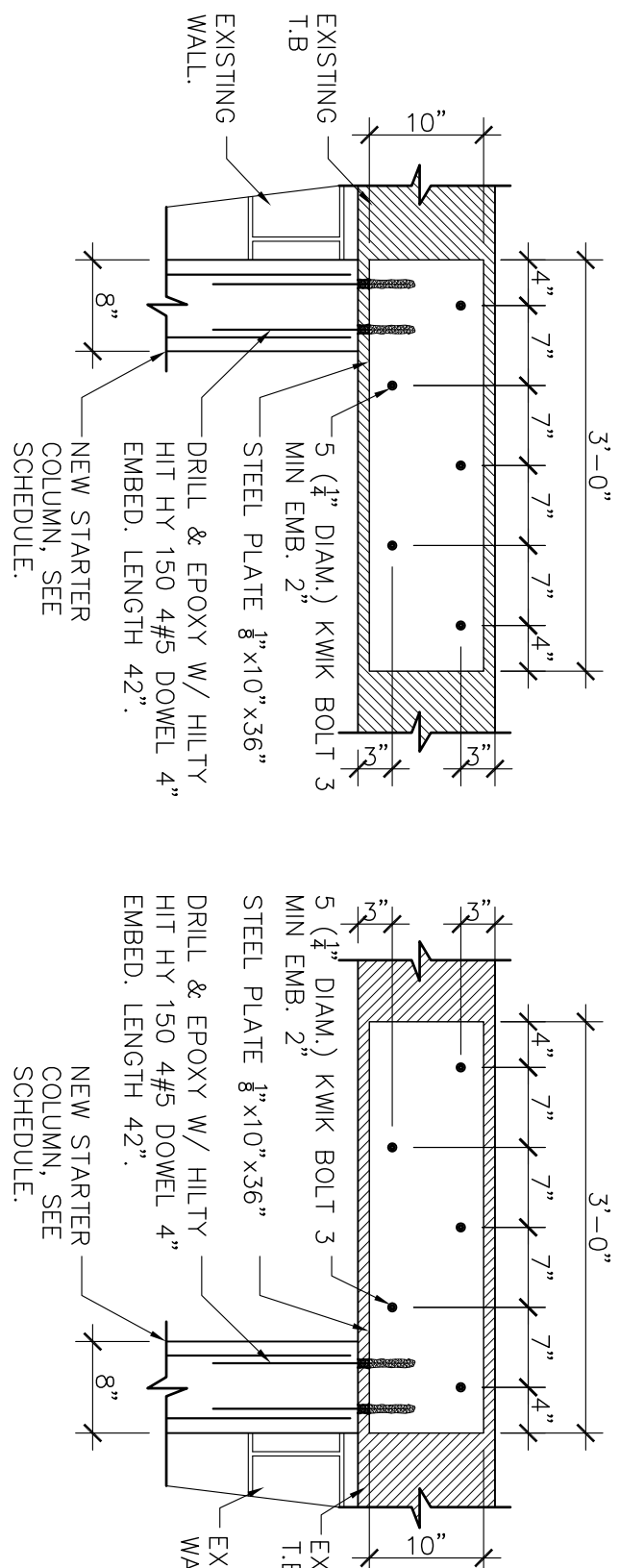
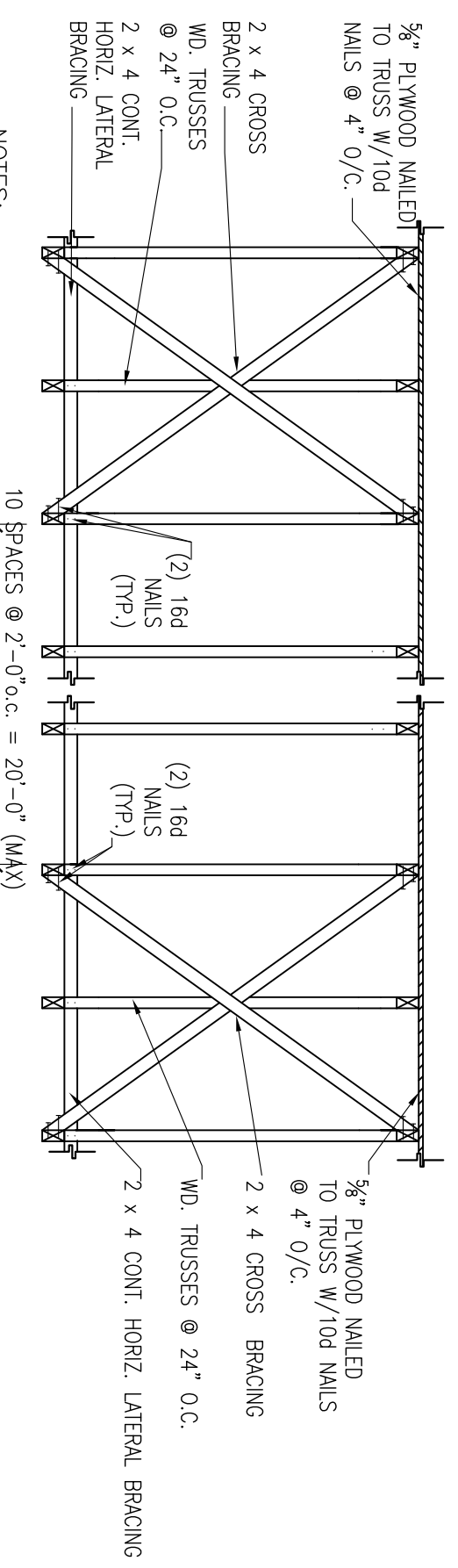


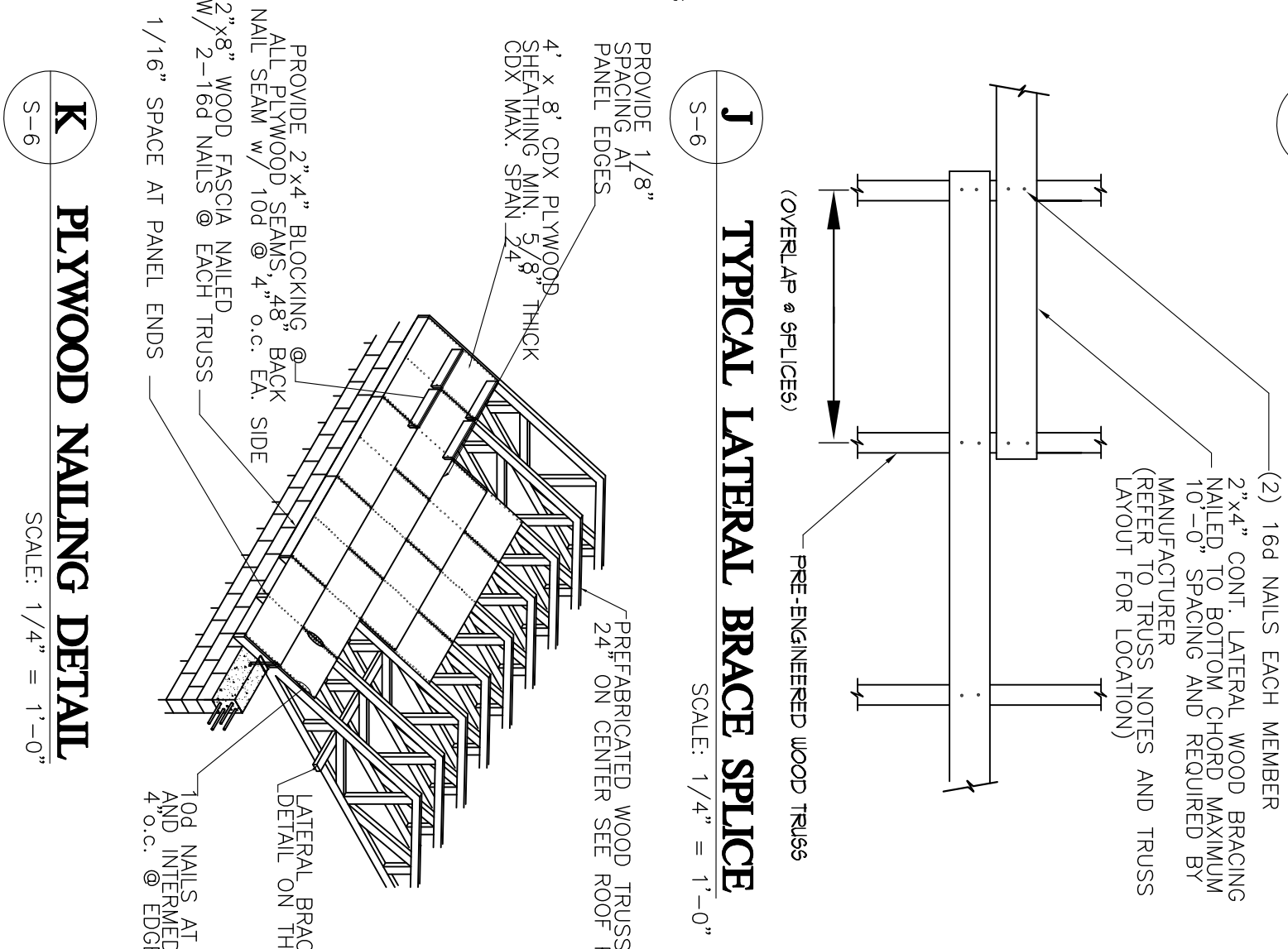
L EXISTING TB REINF. AT OPENING.
 SCALE: 3/4" = 1'-0"



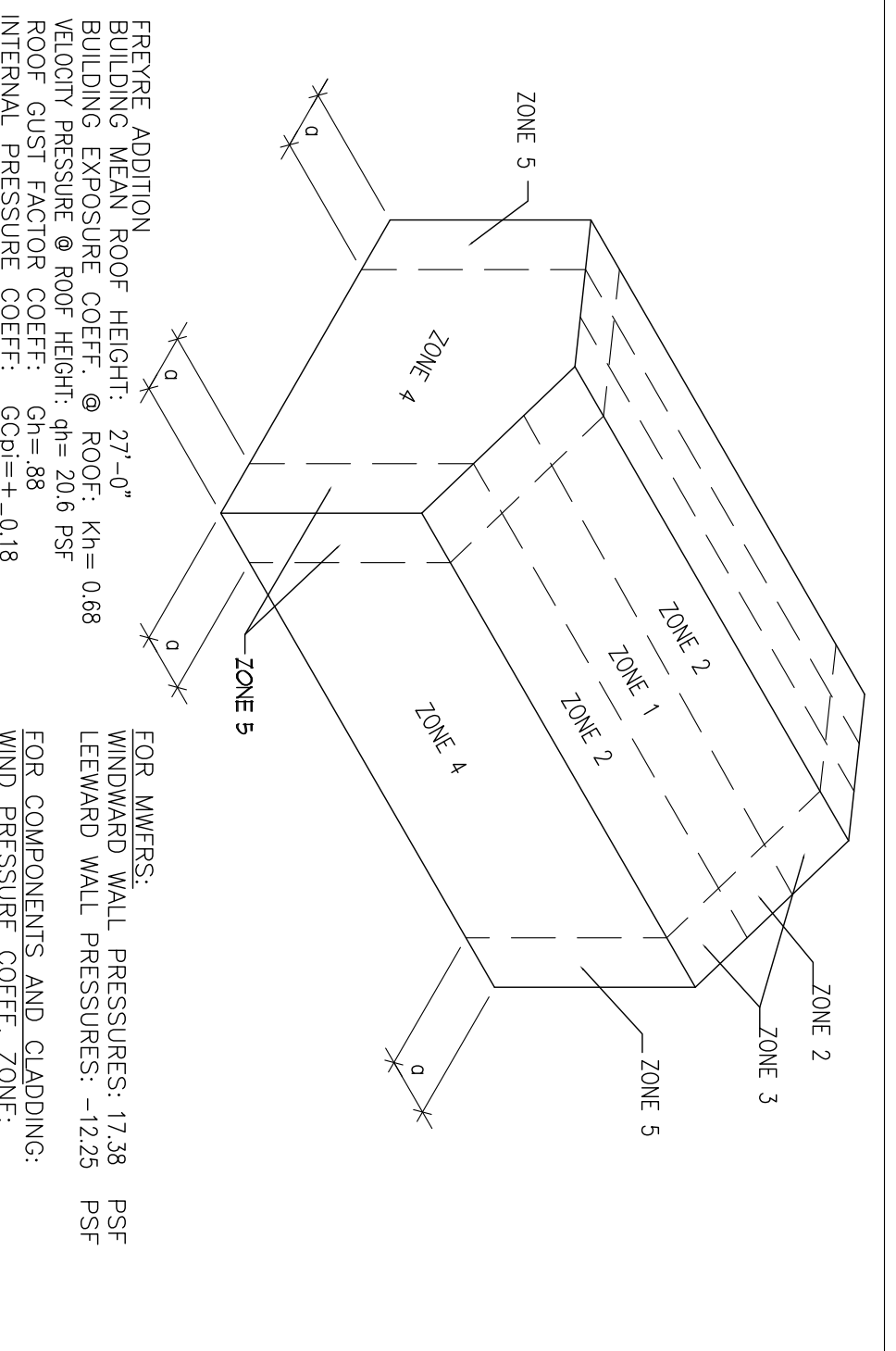
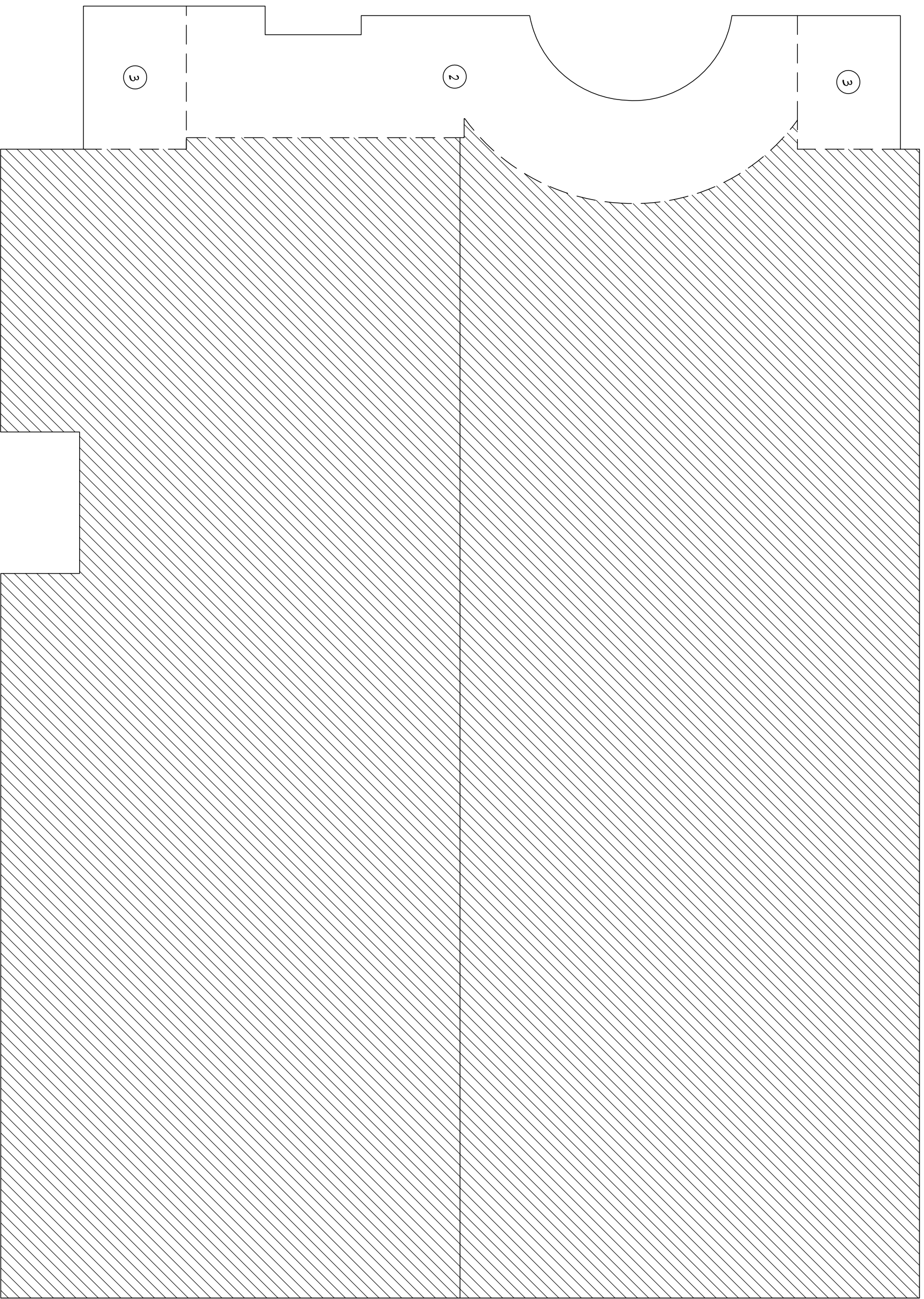
J TYPICAL LATERAL BRACE SPLICE
 SCALE: 1/4" = 1'-0"



H DET. OF PERMANENT LATERAL BRACING OF TRUSS
 SCALE: 1/4" = 1'-0"



K PLYWOOD NAILING DETAIL
 SCALE: 1/4" = 1'-0"



FOR WINDS:
 WINDWARD WALL PRESSURES: 17.38 PSF
 LEeward WALL PRESSURES: -12.25 PSF
 ROOF PRESSURE COEFF. $C_{p} = -0.8$
 INTERNAL PRESSURE COEFF. $C_{pi} = +0.18$

ZONE 1		ZONE 2		ZONE 3		ZONE 4	
AREA	PRESSURE	AREA	PRESSURE	AREA	PRESSURE	AREA	PRESSURE
10SF	-25.1 PSF	10SF	36.06 PSF	10SF	-46.63 PSF	10SF	-20.55 PSF
20SF	-24.4 PSF	20SF	35.42 PSF	20SF	-46.63 PSF	20SF	-22.91 PSF
50SF	-23.6 PSF	50SF	34.58 PSF	50SF	-29.74 PSF	50SF	-21.90 PSF
ZONE 2		ZONE 3		ZONE 4		ZONE 5	
10SF	-42.0 PSF	10SF	-31.6 PSF	10SF	-20.55 PSF	10SF	-20.55 PSF
20SF	-40.3 PSF	20SF	-31.6 PSF	20SF	-20.55 PSF	20SF	-20.55 PSF
50SF	-31.0 PSF	50SF	-31.6 PSF	50SF	-20.55 PSF	50SF	-20.55 PSF

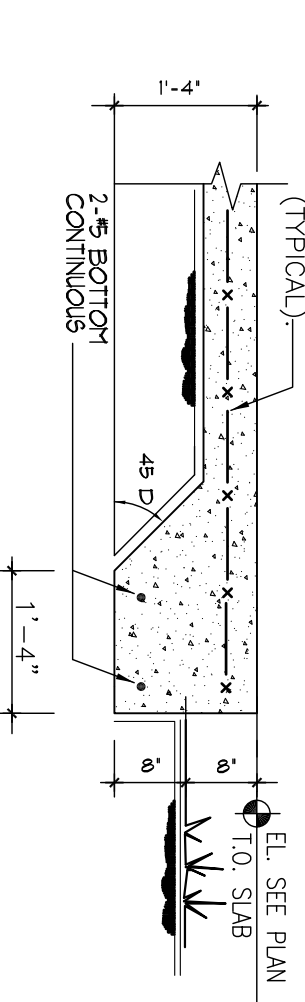
FOR WINDS:
 WINDWARD WALL PRESSURES: 17.38 PSF
 LEeward WALL PRESSURES: -12.25 PSF
 ROOF PRESSURE COEFF. $C_{p} = -0.8$
 INTERNAL PRESSURE COEFF. $C_{pi} = +0.18$

ZONE 1		ZONE 2		ZONE 3		ZONE 4	
AREA	PRESSURE	AREA	PRESSURE	AREA	PRESSURE	AREA	PRESSURE
10SF	-25.1 PSF	10SF	36.06 PSF	10SF	-46.63 PSF	10SF	-20.55 PSF
20SF	-24.4 PSF	20SF	35.42 PSF	20SF	-46.63 PSF	20SF	-22.91 PSF
50SF	-23.6 PSF	50SF	34.58 PSF	50SF	-29.74 PSF	50SF	-21.90 PSF
ZONE 2		ZONE 3		ZONE 4		ZONE 5	
10SF	-42.0 PSF	10SF	-31.6 PSF	10SF	-20.55 PSF	10SF	-20.55 PSF
20SF	-40.3 PSF	20SF	-31.6 PSF	20SF	-20.55 PSF	20SF	-20.55 PSF
50SF	-31.0 PSF	50SF	-31.6 PSF	50SF	-20.55 PSF	50SF	-20.55 PSF

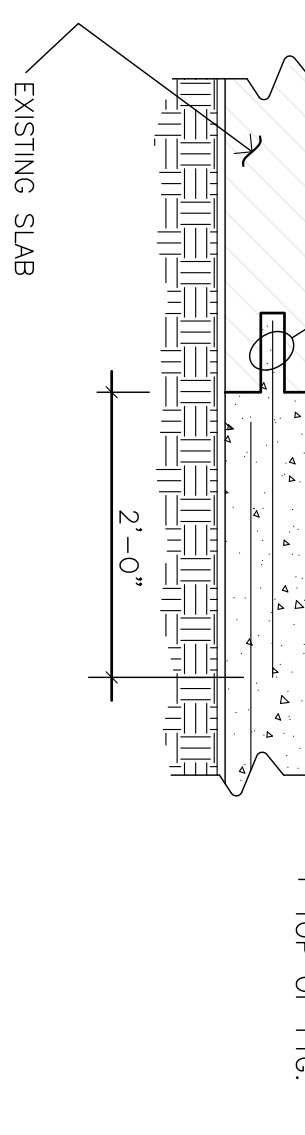
FOR WINDS:
 WINDWARD WALL PRESSURES: 17.38 PSF
 LEeward WALL PRESSURES: -12.25 PSF
 ROOF PRESSURE COEFF. $C_{p} = -0.8$
 INTERNAL PRESSURE COEFF. $C_{pi} = +0.18$

ZONE 1		ZONE 2		ZONE 3		ZONE 4	
AREA	PRESSURE	AREA	PRESSURE	AREA	PRESSURE	AREA	PRESSURE
10SF	-25.1 PSF	10SF	36.06 PSF	10SF	-46.63 PSF	10SF	-20.55 PSF
20SF	-24.4 PSF	20SF	35.42 PSF	20SF	-46.63 PSF	20SF	-22.91 PSF
50SF	-23.6 PSF	50SF	34.58 PSF	50SF	-29.74 PSF	50SF	-21.90 PSF
ZONE 2		ZONE 3		ZONE 4		ZONE 5	
10SF	-42.0 PSF	10SF	-31.6 PSF	10SF	-20.55 PSF	10SF	-20.55 PSF
20SF	-40.3 PSF	20SF	-31.6 PSF	20SF	-20.55 PSF	20SF	-20.55 PSF
50SF	-31.0 PSF	50SF	-31.6 PSF	50SF	-20.55 PSF	50SF	-20.55 PSF

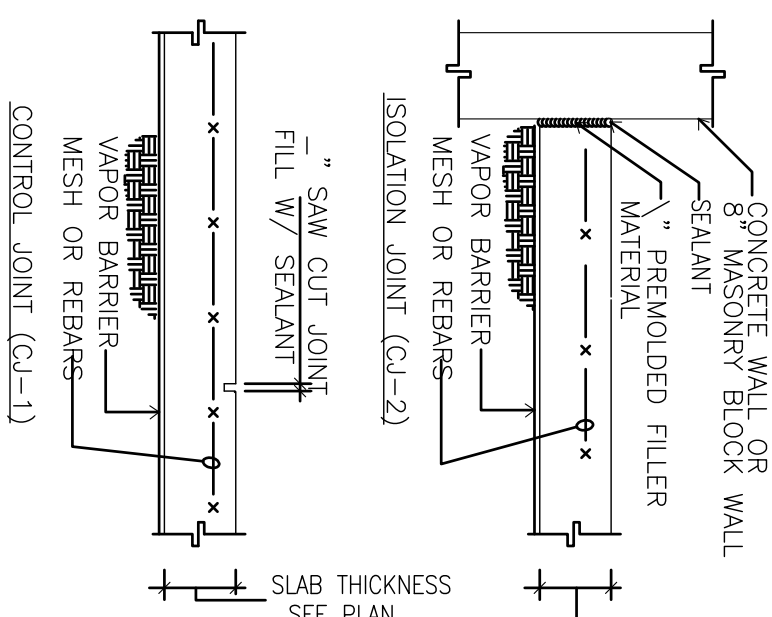
FOR WINDS:
 WINDWARD WALL PRESSURES: 17.38 PSF
 LEeward WALL PRESSURES: -12.25 PSF
 ROOF PRESSURE COEFF. $C_{p} = -0.8$
 INTERNAL PRESSURE COEFF. $C_{pi} = +0.18$



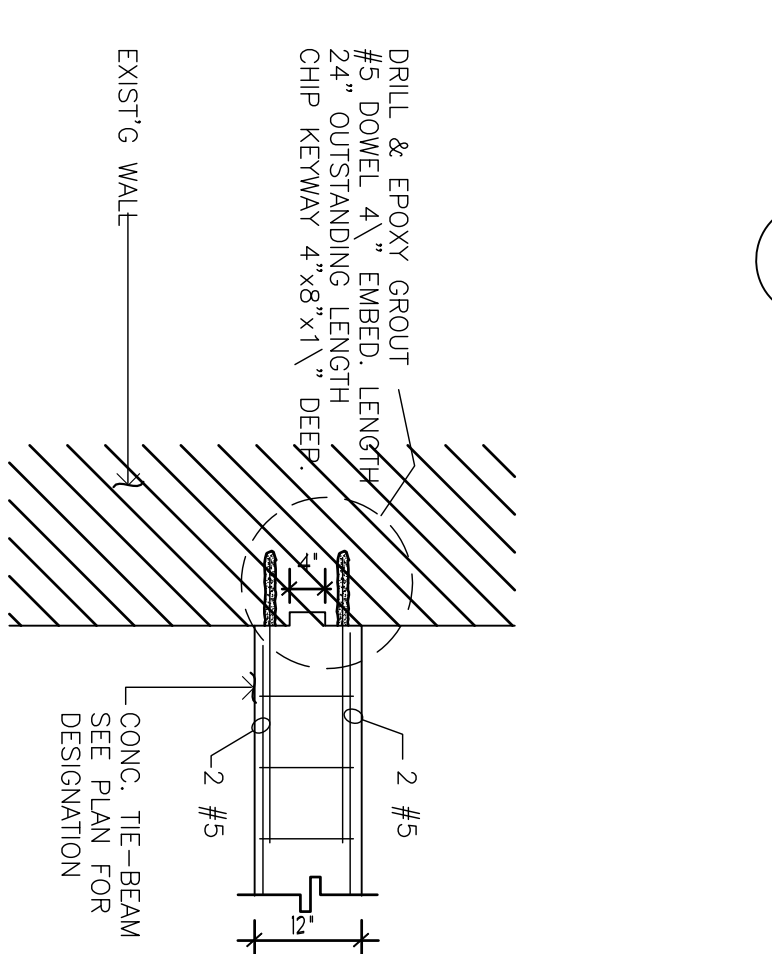
E THICKENED EDGE DETAIL
 SCALE: 3/16" = 1'-0"



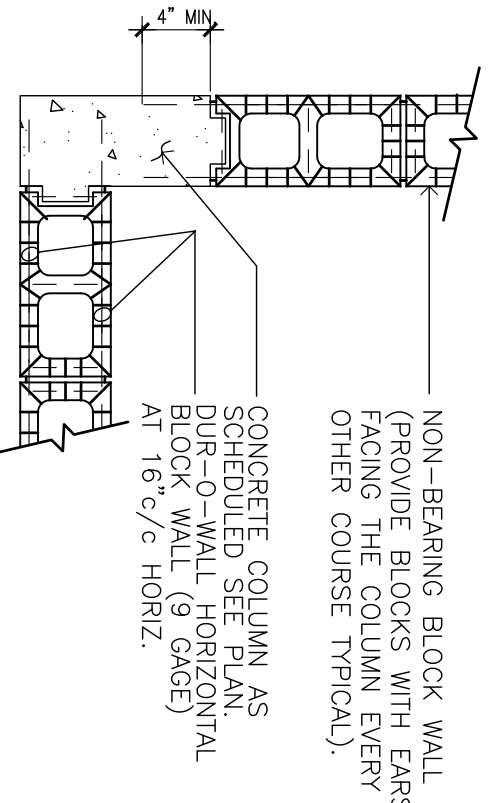
C NEW SLAB ON GRADE TO EXISTING SLAB ON GRADE
 SCALE: 3/16" = 1'-0"



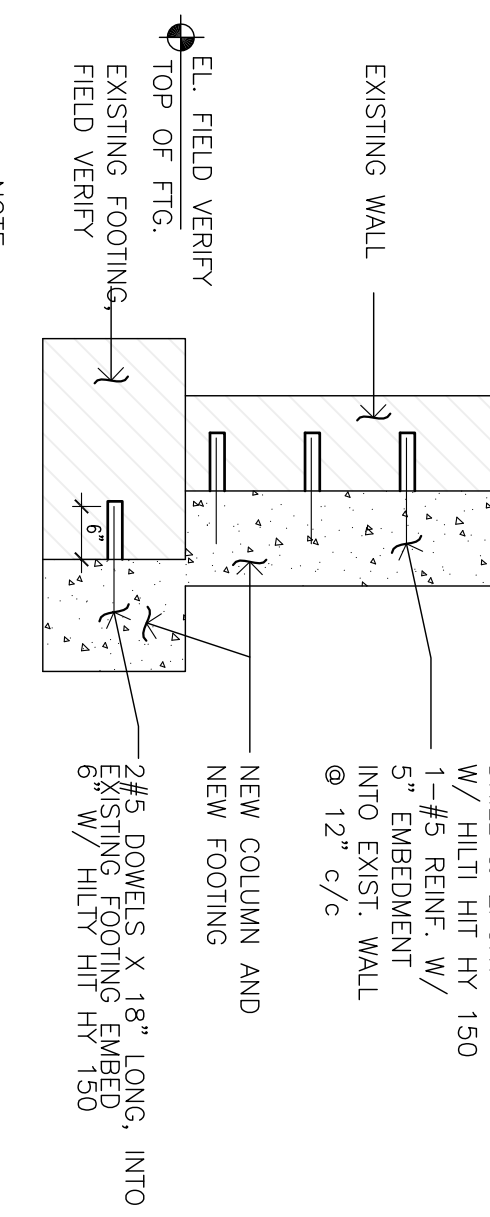
F CONTROL JOINTS IN SLAB ON GRADE
 SCALE: 3/16" = 1'-0"



B NEW TIE-BEAM TO EXIST. TIE-BEAM
 SCALE: 3/16" = 1'-0"



G COLUMNS POURED AFTER MASONRY WALLS ARE IN PLACE
 SCALE: 3/16" = 1'-0"



A STARTER COLUMN DETAIL
 SCALE: 3/16" = 1'-0"