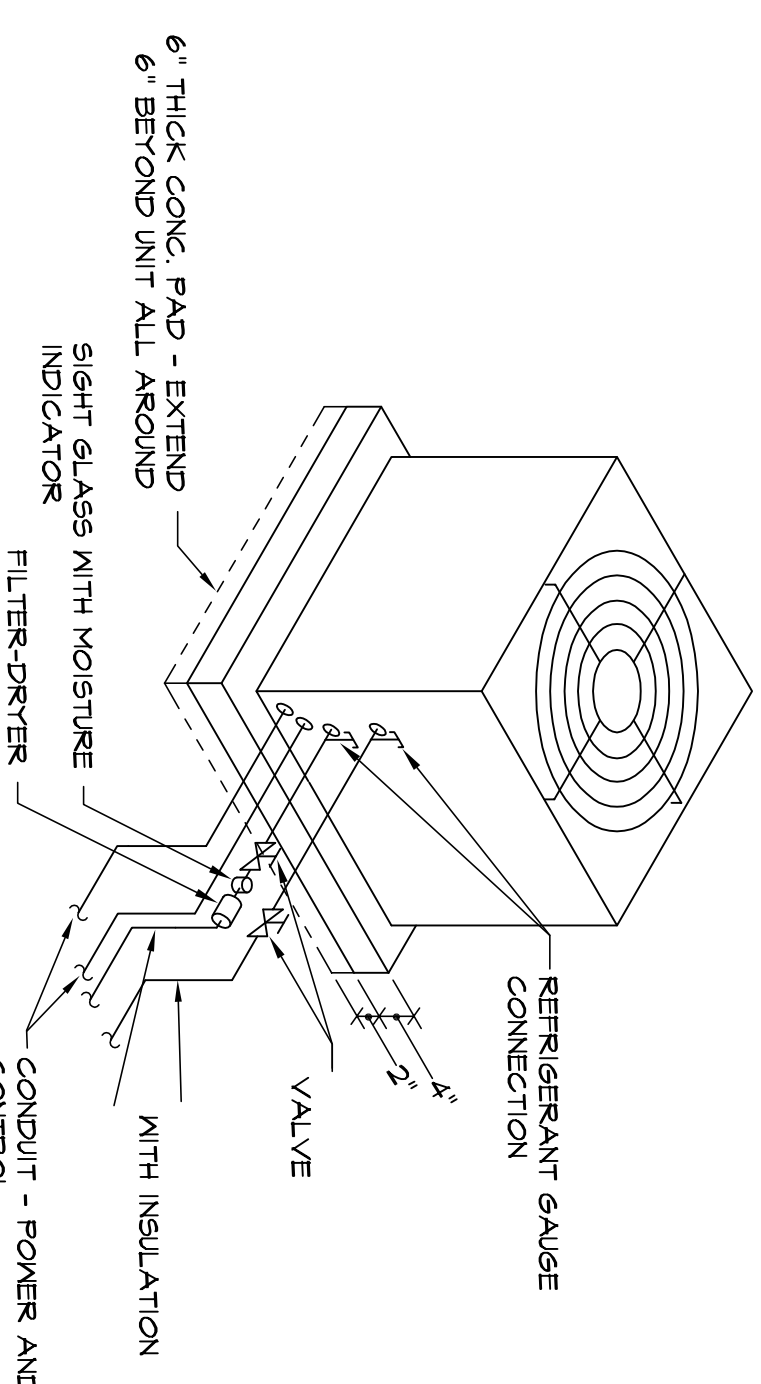


ROOFTOP UNIT SCHEDULE - HEAT PUMP											
MARK	CFM	ESP AIR CFM	TOTAL COOLING (MBTUH)	HEATING (MBTUH)	AUX. ELEC. HEAT (KW)	FAN HP					
RTU-1	2000	0.6	46.2	57.6	0.0	1.0					
RTU-2	1600	0.6	46.2	47.5	0.0	1.0					
RTU-3	1000	0.6	36.7	30.0	0.0	1/2					
TOTAL											
MARK	CFM	ESP AIR CFM	TOTAL COOLING (MBTUH)	HEATING (MBTUH)	AUX. ELEC. HEAT (KW)	FAN HP	SEER	COP OF HP	WEIGHT (LBS)	MANUFACTURER	MODEL
RTU-1	2000	0.6	46.2	57.6	0.0	1.0	13.0	3.5	500	CARRIER	50E2040
RTU-2	1600	0.6	46.2	47.5	0.0	1.0	13.5	3.6	450	CARRIER	50E2048
RTU-3	1000	0.6	36.7	30.0	0.0	1/2	13.5	3.5	350	CARRIER	50E2048

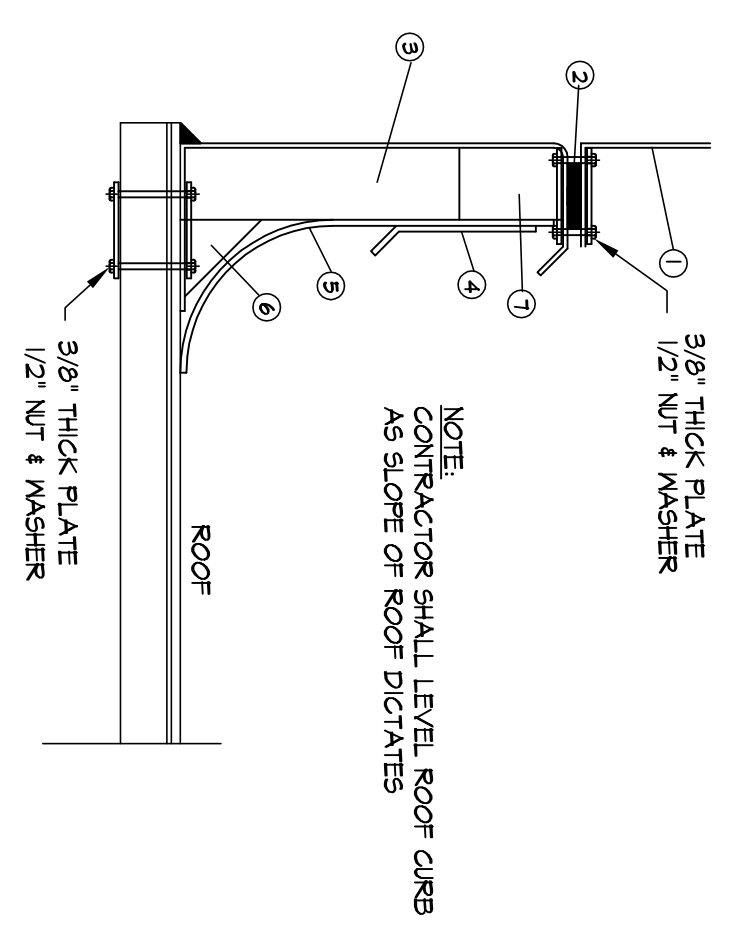
- NOTES:
1. COOLING CAPACITY AT 95° FDB CONDENSER ENTERING AIR TEMPERATURE, 67° FDB EVAPORATOR ENTERING AIR TEMPERATURE.
 2. HEAT PUMP HEATING CAPACITY BASED ON 70° F CONDENSER ENTERING AIR TEMPERATURE, 40° F EVAPORATOR ENTERING AIR TEMPERATURE.
 3. WEIGHT INCLUDES UNIT, ECONOMIZER, AND MANUFACTURER CURB.
 4. PROVIDE SINGLE POINT CONNECTION KIT FOR ELECTRIC HEATERS.
 5. REFER TO ELECTRICAL DRAWINGS FOR UNIT VOLTAGE AND PHASE.

SPLIT SYSTEM HEAT PUMP SCHEDULE										
AIR HANDLING UNITS					HEAT PUMP UNIT					
MARK	CFM	ESP AIR CFM	COOLING CAPACITY (MBTUH)	HEATING CAPACITY (MBTUH)	COP	RESISTANCE HEAT (KW)	FAN HP	MANUFACTURER (CARRIER)	MODEL	
FQU-1	600	0.6	30.0	17.5	3.6	0.0	1/3	F4C4HF018	HP-1	
FQU-2	1200	0.6	34.4	34.4	3.6	0.0	1/2	F4C4HF036	HP-2	
FQU-3	1400	0.6	34.4	41.5	3.7	0.0	1/2	F4C4HF042	HP-3	
TOTAL OUTSIDE AIR										
MARK	CFM	ESP AIR CFM	COOLING CAPACITY (MBTUH)	HEATING CAPACITY (MBTUH)	COP	RESISTANCE HEAT (KW)	FAN HP	MANUFACTURER (CARRIER)	SEER/SEER	
HP-1									14.5/11.7	
HP-2									14.0/11.5	
HP-3									14.0/11.2	

- NOTES:
1. COOLING CAPACITY AT 95° FDB CONDENSER ENTERING AIR TEMPERATURE, 67° FDB EVAPORATOR ENTERING AIR TEMPERATURE.
 2. HEAT PUMP HEATING CAPACITY BASED ON 70° F CONDENSER ENTERING AIR TEMPERATURE, 40° F EVAPORATOR ENTERING AIR TEMPERATURE.
 3. PROVIDE MANUFACTURER LONG-LINE APPLICATION KIT FOR REFRIGERANT PIPING LENGTHS GREATER THAN 50FT.
 4. PROVIDE SINGLE POINT CONNECTION FOR ELECTRIC HEATERS.
 5. REFER TO ELECTRICAL DRAWINGS FOR UNIT VOLTAGE & PHASE.

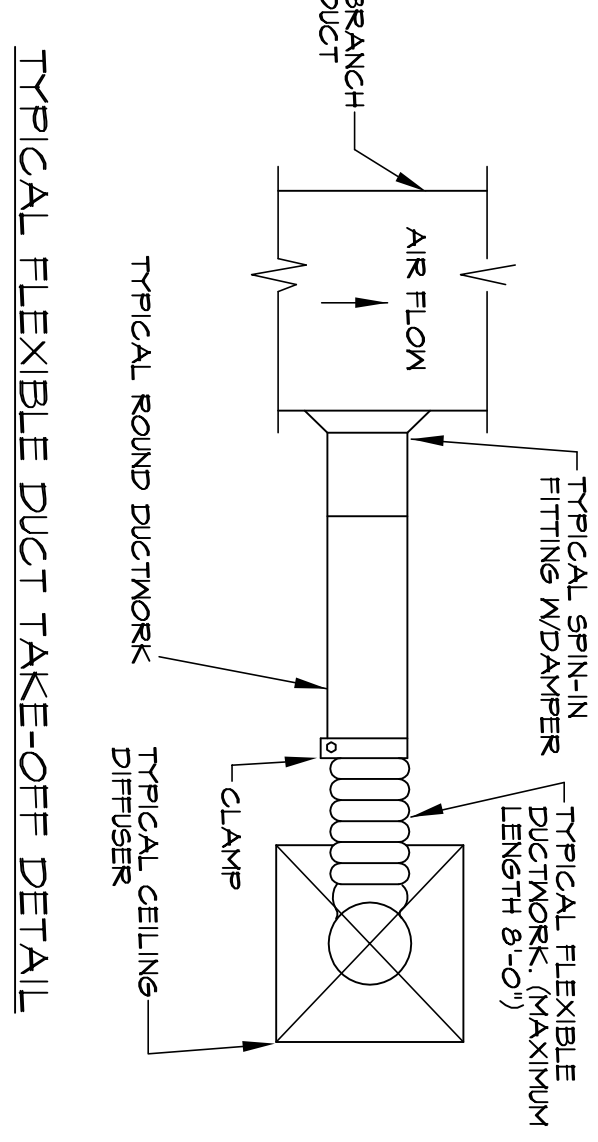


AIR-COOLED CONDENSING UNIT - SLAB MOUNTED AT GRADE

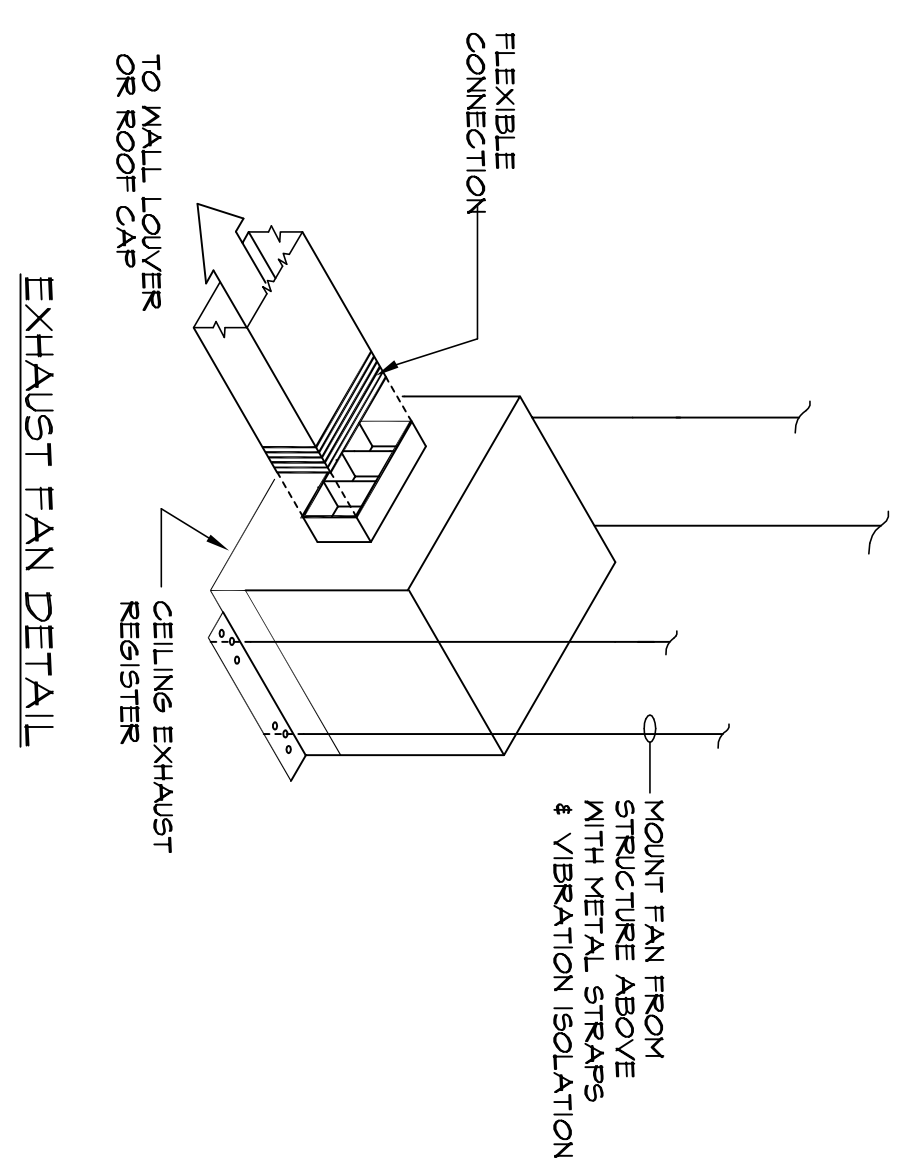


ROOF CURB DETAIL

SCALE: NONE



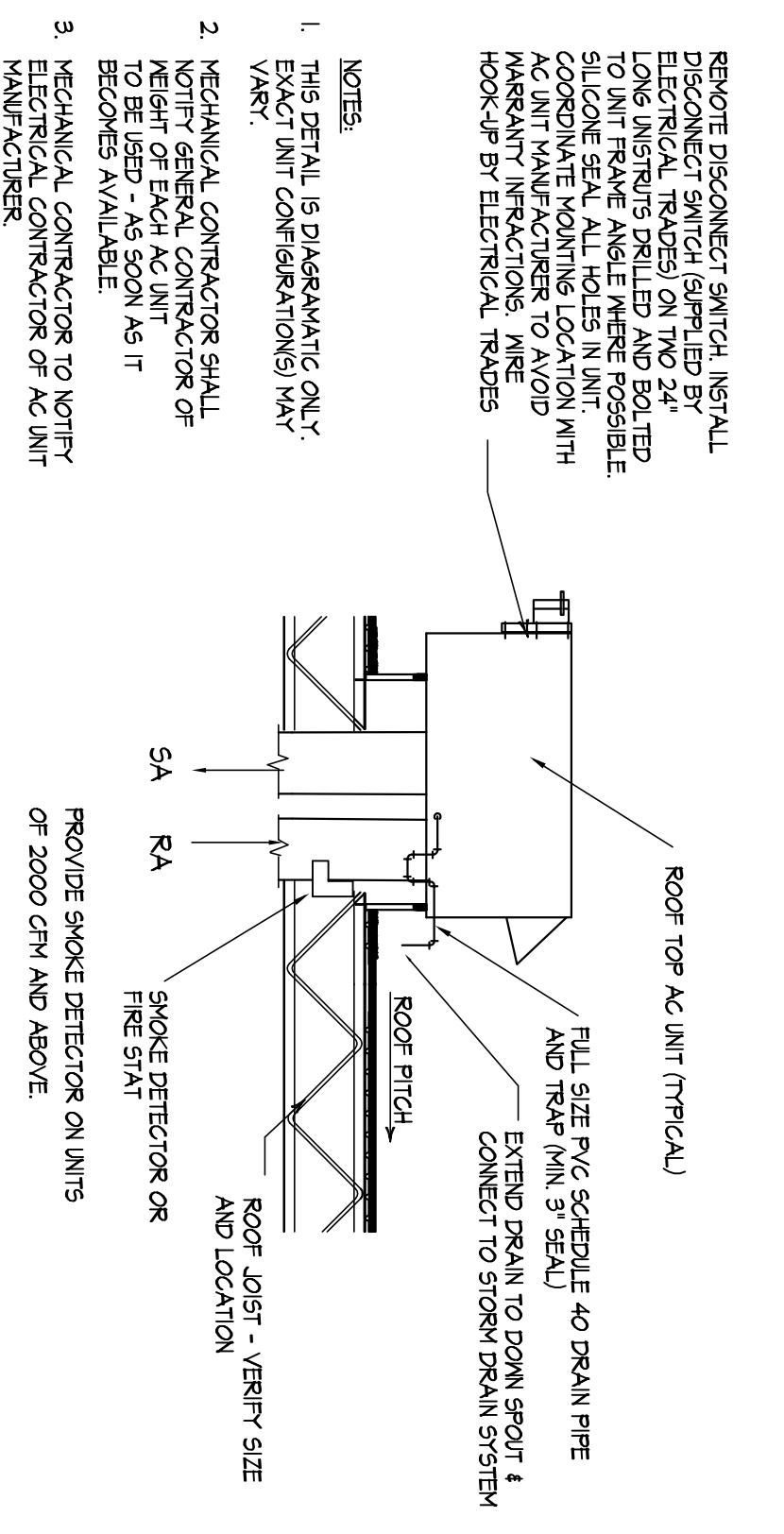
TYPICAL FLEXIBLE DUCT TAKE-OFF DETAIL



EXHAUST FAN DETAIL

ROOF TOP UNIT ELEVATION

SCALE: NONE



IONIZATION AIR PURIFIER SCHEDULE				
MARK	CFM	NO. TUBES	MANUFACTURER (FLASMA AIR)	REMARKS
IP-1, IP-7	900-2000	1	100C	12
IP-6, IP-4	3000	2	200E	12

IONIZATION AIR PURIFIER SCHEDULE

- NOTES:
1. MAXIMUM OCCUPANCY FOR CHANCEL/SANCTUARY/FELLOWSHIP/MULTI-PURPOSE AREAS BASED ON SEATING COUNT PROVIDED BY ARCHITECT.
 2. OUTDOOR AIR QUANTITY REQUIRED FOR CLASSROOMS AND SANCTUARY/FELLOWSHIP BASED ON INC 61.2 IAG PROCEDURE
 3. EXCEPTION TO CHAPTER 409 OF INC 2006 SECTION 409.2 IS CLAIMED FOR THIS PROJECT. THE ADDITION OF IONIZATION FILTERS IN EACH OF THE SANCTUARY AND CLASSROOM HVAC UNITS PROVIDES TREATED OUTSIDE AIR FILTERING HAZARDOUS PARTICULATE FROM THE SUPPLY AIR STREAM. THIS EXCEPTION ALLOWS THE REDUCTION OF OUTSIDE AIR REQUIREMENTS.

OCCUPANCY CLASSIFICATION					
RELIABLES WORKSHOP					
VENTILATION SCHEDULE					
AREA	SQ.FT.	MAX OCCUPANCY (PEOPLE/1000 SQ.FT)	OCCUPANCY (PEOPLE or TLTS)	OUTDOOR AIR REQ'D (per PERSON or TLT)	MINIMUM REQ'D OUTSIDE AIR CFM
RESTROOMS	526	---	---	7.5 CFM/TLT. or URINAL	600
CORRIDORS	249	---	---	0.1 CFM/SQ.FT.	24
FELLOWSHIP	1504	---	105	7.5 CFM/PERSON	789
FOYER	959	---	30	15 CFM/PERSON	465
SANCTUARY	1189	---	102	7.5 CFM/PERSON	765
CHANCEL	344	---	14	7.5 CFM/PERSON	145
CHANGING ROOMS	80	---	---	2 CFM/SQ.FT.	16
TOTAL					2501

BASED ON STANDARD MECHANICAL CODE TABLE 409.3

LOUVER SCHEDULE						
EQUIPMENT NO.	SERVICE	WIDTH	HEIGHT	THICKNESS OF WALL	MATERIAL	SCREEN
LV-1	OUTSIDE AIR	14"	12"	10"	ALUMINUM	YES
LV-2	OUTSIDE AIR	6"	12"	10"	ALUMINUM	YES
LV-3	OUTSIDE AIR	6"	12"	10"	ALUMINUM	YES

- NOTES:
1. COORDINATE LOCATION WITH ARCHITECT

EQUIPMENT NO.	SERVICE	WIDTH	HEIGHT	THICKNESS OF WALL	MATERIAL	SCREEN	MANUFACTURER & MODEL	OPTIONS-ACCESSORIES	NOTES
LV-1	OUTSIDE AIR	14"	12"	10"	ALUMINUM	YES	RUSKIN LK97SD	MOTOR OPERATED DAMPER	1
LV-2	OUTSIDE AIR	6"	12"	10"	ALUMINUM	YES	RUSKIN LK97SD	MOTOR OPERATED DAMPER	1
LV-3	OUTSIDE AIR	6"	12"	10"	ALUMINUM	YES	RUSKIN LK97SD	MOTOR OPERATED DAMPER	1

- NOTES:
1. COORDINATE LOCATION WITH ARCHITECT

REVISIONS
1
2
3
4
5
6
7
8
9
10

rick jack/design

25 HEMLOCK RIDGE ROAD
LEICESTER, NORTH CAROLINA 28748
PH: 828-683-7348 FAX 828-683-9202
email: rick@rickjackdesign.com

new facility for:

washington seventh day baptist church

CRITTENDEN @ 16TH, WASHINGTON, D.C.

project no. 2K70609

drawn by: ZB

date: AUG. 18, 2008

scale: AS SHOWN

sheet no. M12