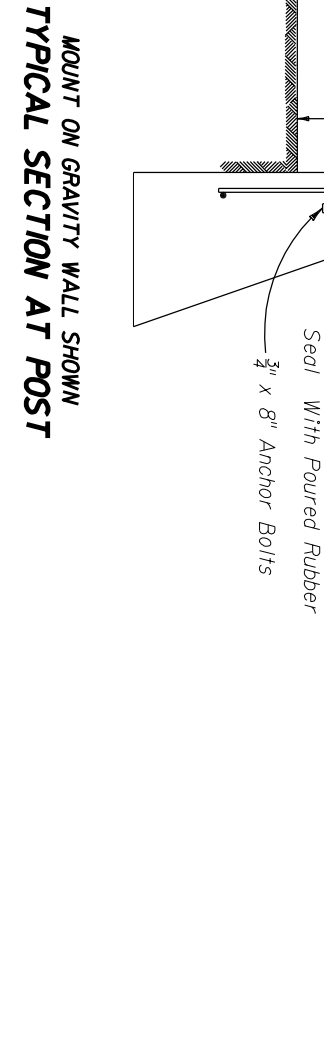


PIPE HANDRAIL NOTES

1. All fixed joints to be either welded all around or bolted. Welding shall be done in accordance with the contract specifications. Weld filler to be alloy ER5356, ER5356 or ER5083.
2. Anchor bolts shall be in accordance with ASTM A36 or A507. Nuts, washers, and bolts to be hot dip galvanized. The anchor bolts shall be galvanized. The anchor bolts shall be galvanized. The anchor bolts shall be galvanized.
3. Aluminum handrail shall be constructed in accordance with the contract specifications. The handrail shall be constructed in accordance with the contract specifications.

ALUMINUM PIPE HANDRAIL

GRAVITY WALL

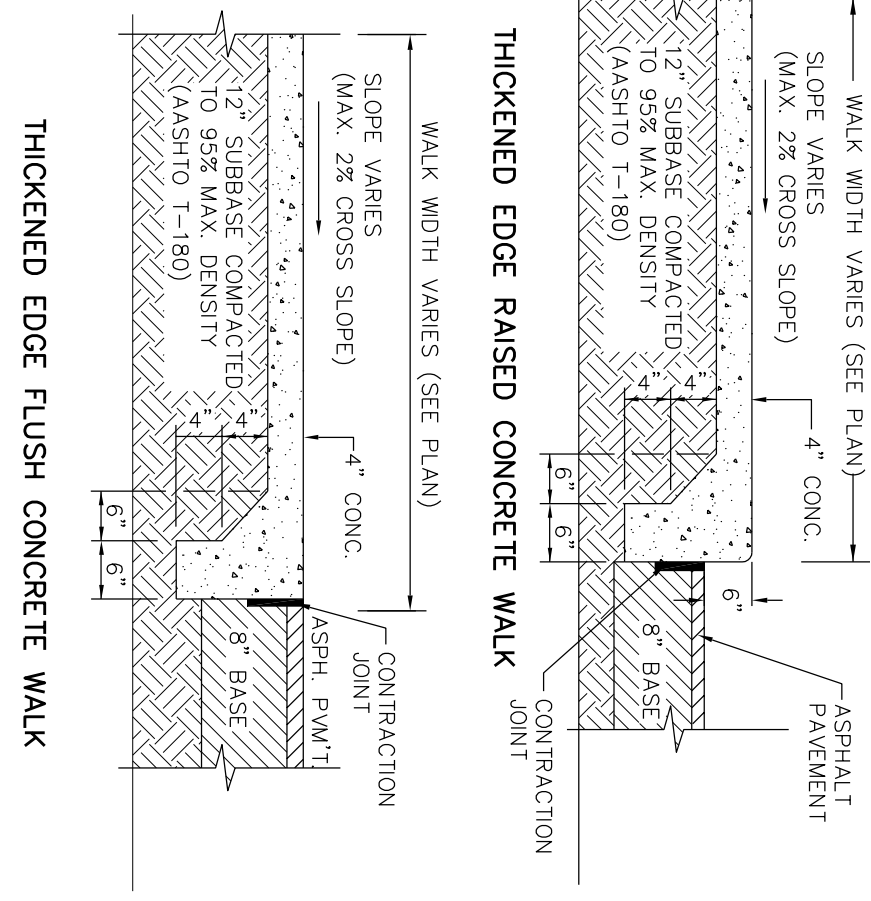
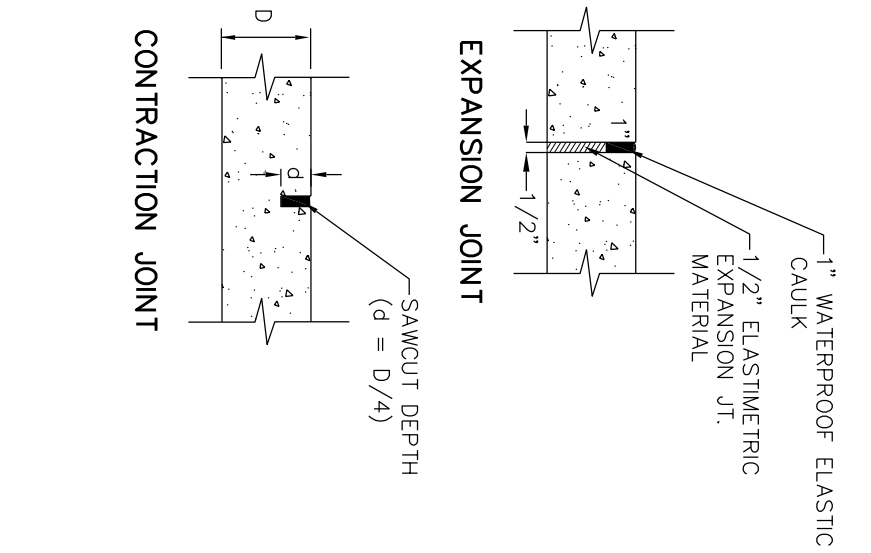


ESTIMATED QUANTITIES FOR WALL

HEIGHT (EXPOSED FACED)	CLASS	FEET LINEAR FOOT OF WALL	STEEL (LB)
1	CONCRETE (CY)	3	5
2	CONCRETE (CY)	3	5
3	CONCRETE (CY)	3	5
4	CONCRETE (CY)	3	5
5	CONCRETE (CY)	3	5
6	CONCRETE (CY)	3	5
7	CONCRETE (CY)	3	5
8	CONCRETE (CY)	3	5
9	CONCRETE (CY)	3	5
10	CONCRETE (CY)	3	5
11	CONCRETE (CY)	3	5
12	CONCRETE (CY)	3	5
13	CONCRETE (CY)	3	5
14	CONCRETE (CY)	3	5
15	CONCRETE (CY)	3	5
16	CONCRETE (CY)	3	5
17	CONCRETE (CY)	3	5
18	CONCRETE (CY)	3	5
19	CONCRETE (CY)	3	5
20	CONCRETE (CY)	3	5
21	CONCRETE (CY)	3	5
22	CONCRETE (CY)	3	5
23	CONCRETE (CY)	3	5
24	CONCRETE (CY)	3	5
25	CONCRETE (CY)	3	5
26	CONCRETE (CY)	3	5
27	CONCRETE (CY)	3	5
28	CONCRETE (CY)	3	5
29	CONCRETE (CY)	3	5
30	CONCRETE (CY)	3	5
31	CONCRETE (CY)	3	5
32	CONCRETE (CY)	3	5
33	CONCRETE (CY)	3	5
34	CONCRETE (CY)	3	5
35	CONCRETE (CY)	3	5
36	CONCRETE (CY)	3	5
37	CONCRETE (CY)	3	5
38	CONCRETE (CY)	3	5
39	CONCRETE (CY)	3	5
40	CONCRETE (CY)	3	5
41	CONCRETE (CY)	3	5
42	CONCRETE (CY)	3	5
43	CONCRETE (CY)	3	5
44	CONCRETE (CY)	3	5
45	CONCRETE (CY)	3	5
46	CONCRETE (CY)	3	5
47	CONCRETE (CY)	3	5
48	CONCRETE (CY)	3	5
49	CONCRETE (CY)	3	5
50	CONCRETE (CY)	3	5

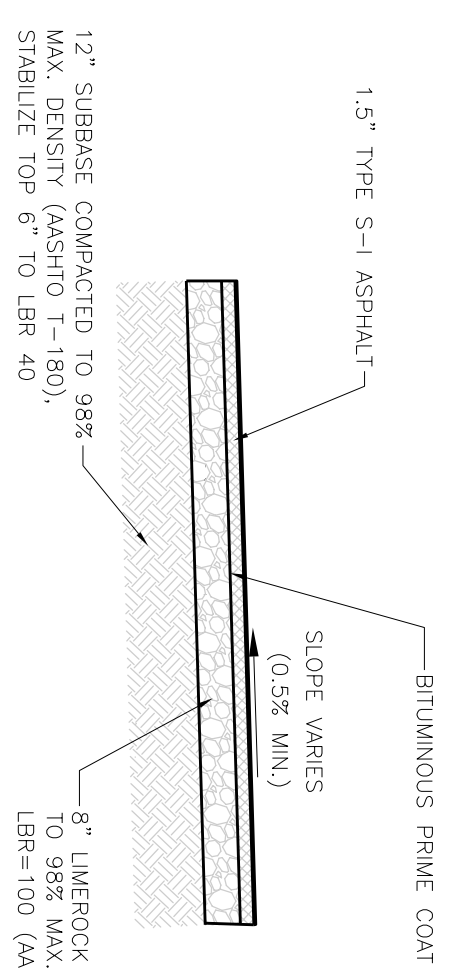
GRAVITY WALL NOTES

1. Gravity walls constructed as extensions of reinforced concrete retaining walls, except walls of precast design, shall have the same face of retaining wall.
2. Cost of reinforcing steel and face feature and finish to be included in unit price. Refer to EOT Index 520 (latest edition for additional requirements).



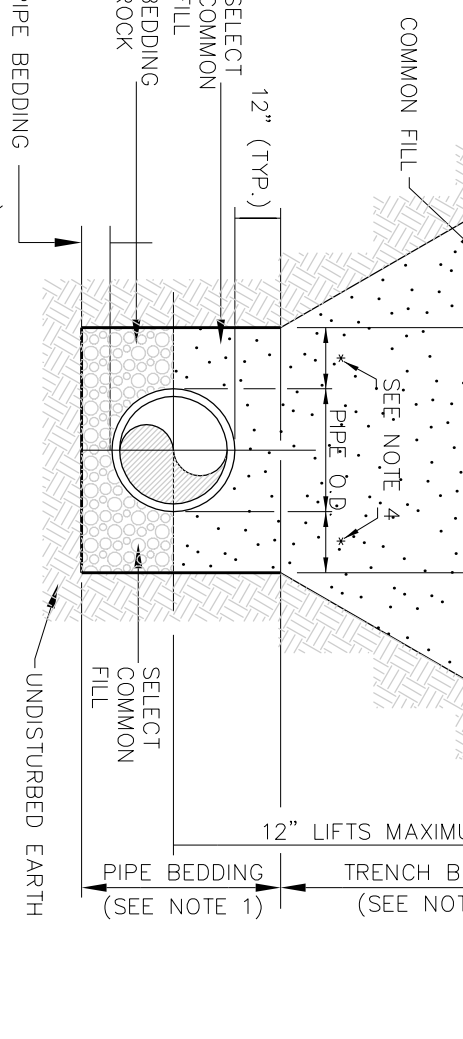
SIDEWALK DETAILS

1. ALL CONCRETE SIDEWALKS SHALL HAVE A FULL 1/2" EXPANSION JOINT AT A MAXIMUM 10' INTERVALS. THE JOINTS SHALL BE REINFORCED WITH 2# BARS PER FOOT.
2. ALL CONCRETE SHALL BE 3000 PSI CONCRETE WITH FIBER MESH REINFORCEMENT (1.5 LB/CY #350).
3. 4" THICK SIDEWALK WITH LIGHT BROOM FINISH & TROWELED EDGE.



ASPHALT PAVEMENT SECTION

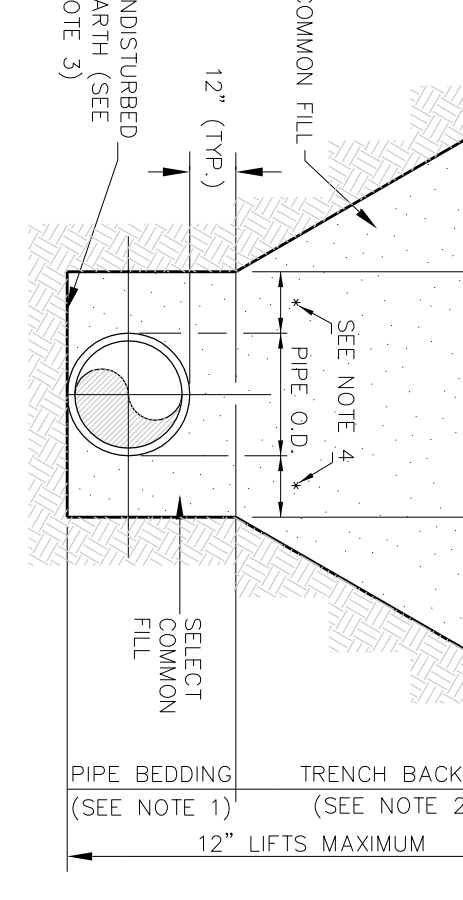
TYPE A BEDDING AND TRENCHING DETAIL



TYPE A BEDDING AND TRENCHING DETAIL

1. PIPE BEDDING: SELECT COMMON FILL COMPACTED TO 95% OF THE MAXIMUM DENSITY AS PER AASHTO T-180.
2. TRENCH BACKFILL: SELECT COMMON FILL OR BEDDING ROCK IN ACCORDANCE WITH THE A BEDDING AND TRENCHING DETAIL MAY BE USED FOR TYPE A BEDDING TO BE DETERMINED IN THE FIELD AS DIRECTED.
3. USE OF TYPE A BEDDING TO BE DETERMINED IN THE FIELD AS DIRECTED.
4. (1) 15" MAX. (12" MIN.) FOR PIPE DIAMETER LESS THAN 24", AND 24" MAX. (12" MIN.) FOR PIPE DIAMETER 24" AND LARGER.
5. WATER SHALL NOT BE PERMITTED IN THE TRENCH DURING CONSTRUCTION.
6. DIRECTION OF THE FLOW SHALL BE INDICATED WITH BELL FACING UPSTREAM TO THE TRENCH.
7. REFER TO FOOT STANDARD SPECIFICATIONS FOR ROAD AND BRIDGE CONSTRUCTION (LATEST EDITION) SECTION 125 FOR ADDITIONAL EXCAVATION REQUIREMENTS.
8. GRAVITY SEWERS SHALL UTILIZE TYPE A BEDDING, IF REQUIRED BY THE COUNTY. BEDDING DEPTH SHALL BE 4" MINIMUM FOR PIPE DIAMETER LESS THAN 15" AND 6" MINIMUM FOR PIPE DIAMETER 15" AND LARGER.
9. BEDDING ROCK SHALL BE USED FOR ALL GRAVITY SEWERS. THE BEDDING ROCK SHALL BE 4" MINIMUM FOR PIPE DIAMETER LESS THAN 15" AND 6" MINIMUM FOR PIPE DIAMETER 15" AND LARGER.
10. BEDDING ROCK BELOW THE PIPE: THE TESTING SERVICE (GEOTECHNICAL ENGINEER) SHALL DETERMINE IN THE FIELD THE REQUIRED REMOVAL OF UNSUITABLE MATERIAL TO REACH SUITABLE FOUNDATION.

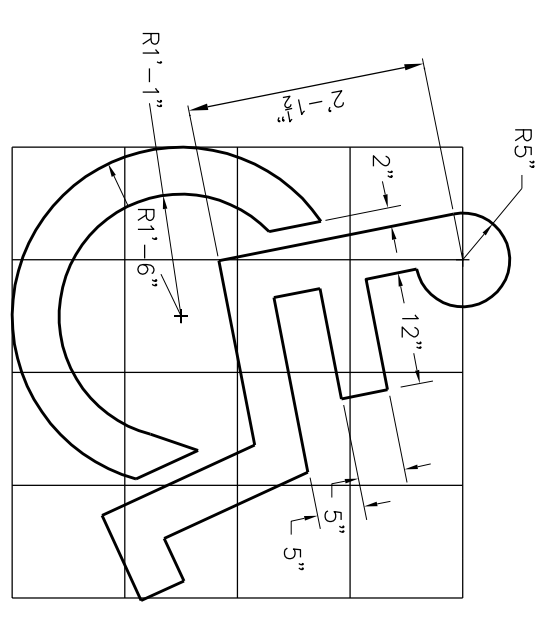
BEDDING AND TRENCHING DETAIL



1. PIPE BEDDING: SELECT COMMON FILL COMPACTED TO 95% OF THE MAXIMUM DENSITY AS PER AASHTO T-180.
2. TRENCH BACKFILL: SELECT COMMON FILL OR BEDDING ROCK IN ACCORDANCE WITH THE A BEDDING AND TRENCHING DETAIL MAY BE USED FOR TYPE A BEDDING TO BE DETERMINED IN THE FIELD AS DIRECTED.
3. USE OF TYPE A BEDDING TO BE DETERMINED IN THE FIELD AS DIRECTED.
4. (1) 15" MAX. (12" MIN.) FOR PIPE DIAMETER LESS THAN 24", AND 24" MAX. (12" MIN.) FOR PIPE DIAMETER 24" AND LARGER.
5. WATER SHALL NOT BE PERMITTED IN THE TRENCH DURING CONSTRUCTION.
6. DIRECTION OF THE FLOW SHALL BE INDICATED WITH BELL FACING UPSTREAM TO THE TRENCH.
7. REFER TO FOOT STANDARD SPECIFICATIONS FOR ROAD AND BRIDGE CONSTRUCTION (LATEST EDITION) SECTION 125 FOR ADDITIONAL EXCAVATION REQUIREMENTS.

1. ALL LETTERS ARE 1" SERIES "C", PER WHITE.
2. TOP PORTION OF SIGN SHALL HAVE REFLECTORIZED (ENGINEERING GRADE) BLUE BACKGROUND WITH WHITE REFLECTORIZED LEGEND AND BORDER.
3. BOTTOM PORTION OF SIGN SHALL HAVE A REFLECTORIZED (ENGINEERING GRADE) WHITE BACKGROUND WITH BLACK OPACQUE LEGEND AND BORDER.
4. ONE (1) SIGN IS REQUIRED FOR EACH PARKING SPACE.
5. HEIGHT OF SIGN SHALL 7'-6" FROM FINISHED GROUND TO BOTTOM OF SIGN.

HANDICAP PARKING SIGN

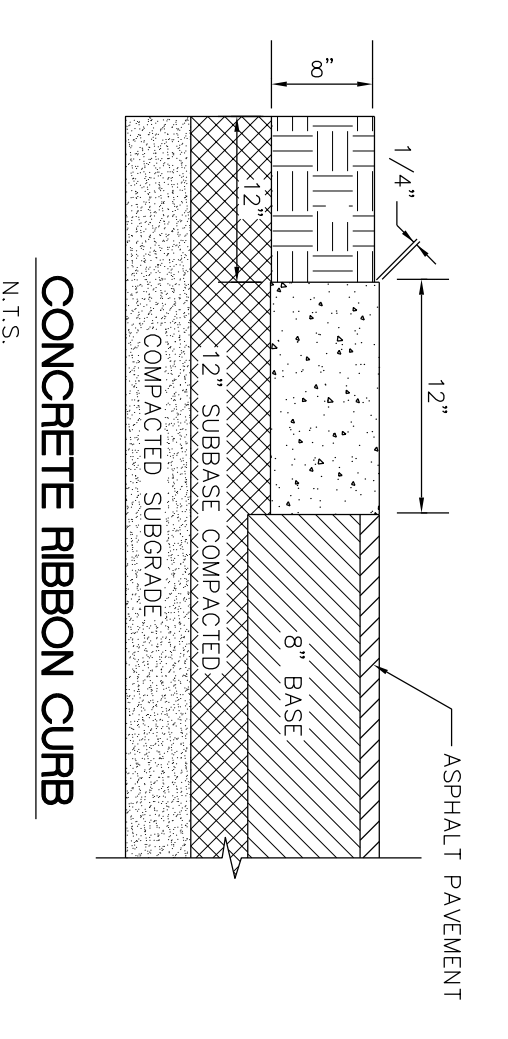


HANDICAP SYMBOL DETAIL

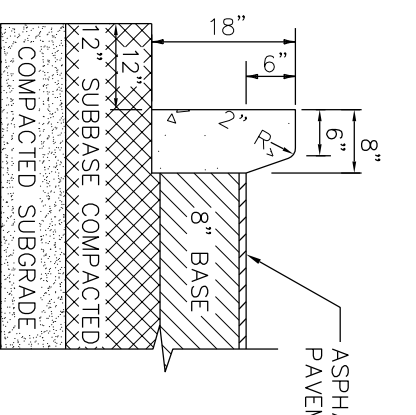
1. HANDICAP SPACE IS TO BE OUTLINED IN A 4" BLUE PAINTED LINE.
2. HANDICAP LONGITUDINAL AND CROSS SLOPES SHALL NOT EXCEED 2%.
3. HANDICAP PARKING SPACES SHALL MEET ALL ADA STANDARDS (2010 ADA STANDARD FOR ACCESSIBILITY - 28 CFR PART 36 LATEST EDITION).

HANDICAP DETAILS

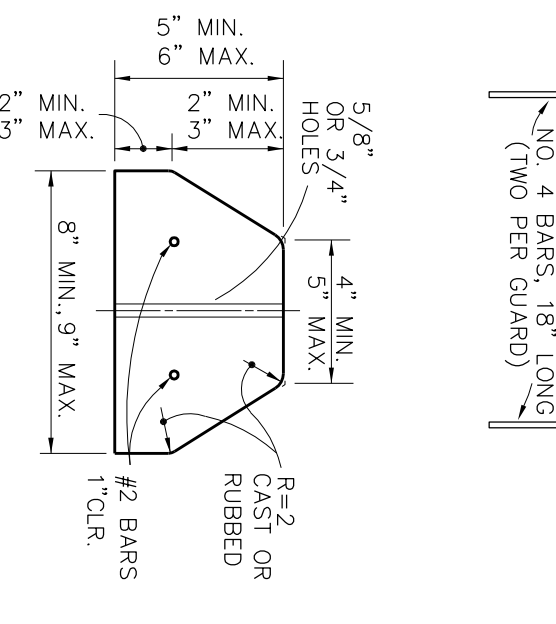
1. ALL LETTERS ARE 1" SERIES "C", PER WHITE.
2. TOP PORTION OF SIGN SHALL HAVE REFLECTORIZED (ENGINEERING GRADE) BLUE BACKGROUND WITH WHITE REFLECTORIZED LEGEND AND BORDER.
3. BOTTOM PORTION OF SIGN SHALL HAVE A REFLECTORIZED (ENGINEERING GRADE) WHITE BACKGROUND WITH BLACK OPACQUE LEGEND AND BORDER.
4. ONE (1) SIGN IS REQUIRED FOR EACH PARKING SPACE.
5. HEIGHT OF SIGN SHALL 7'-6" FROM FINISHED GROUND TO BOTTOM OF SIGN.



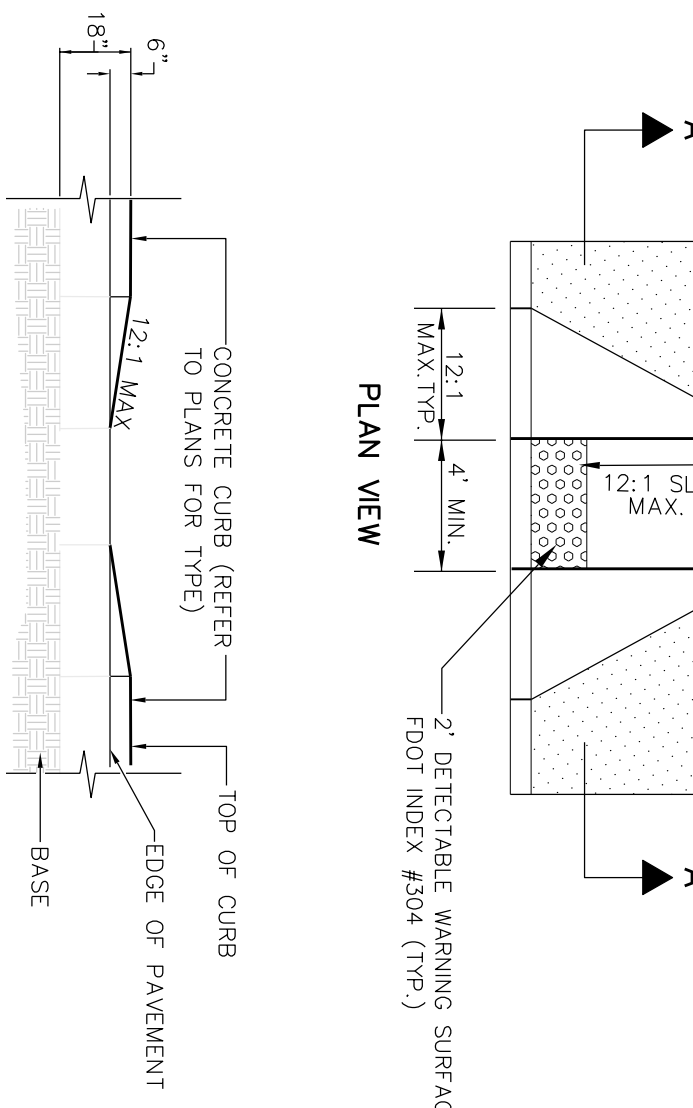
CONCRETE RIBBON CURB



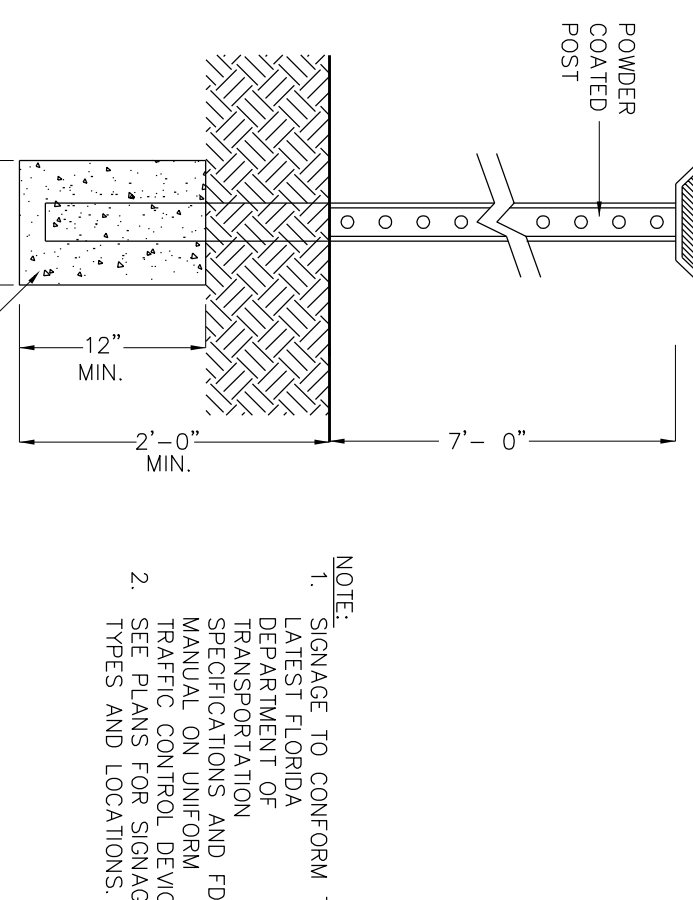
CONCRETE BUMPER GUARD



TYPICAL HANDICAP RAMP



TRAFFIC SIGNAGE INSTALLATION



REVISIONS

No.	DATE	DESCRIPTION	APP'D BY
1	03-31-09	CITY OF ORLANDO COMM.	OTL
2	05-11-09	ADD OUC NOTES	OTL
3	08-04-09	CITY OF ORLANDO COMM. (BLD2009-03635)	OTL
4	09-18-09	CITY OF ORLANDO BLD2009-00444 COMM.	OTL
5	10-02-09	FDOT UTILITY PERMIT	OTL

FIRST HAITIAN FREE CHURCH OF NAZARENE BY FAITH RENOVATION

SITE DETAILS



Civil Engineering, Inc.
2504 E. JACKSON STREET
ORLANDO, FL 32803
OFFICE: 407-228-9540
FAX: 407-228-9541

CERTIFICATE OF AUTHORIZATION No. 27340
THIS DOCUMENT AND ANY PERSON DOCUMENTS RELATED TO THIS PROJECT IS THE PROPERTY OF LAW ENGINEERING, INC. AND IS TO BE USED ONLY FOR THE PROJECT AND LOCATION SPECIFICALLY IDENTIFIED IN THIS DOCUMENT. ANY REPRODUCTION, DISTRIBUTION, OR USE OF THIS DOCUMENT IS PROHIBITED WITHOUT THE WRITTEN CONSENT OF LAW ENGINEERING, INC.
NOT FOR CONSTRUCTION UNLESS SIGNED AND SEALED

NOTE: SIGNAGE TO CONFORM TO LATEST FLORIDA DEPARTMENT OF TRANSPORTATION MANUAL ON UNIFORM SPECIFICATIONS AND FOOT TYPES AND LOCATIONS.
DATE: 11-05-09
PROJECT No. 2008.999.07
DRAWN BY: LCE
APPROVED BY: QTL

SHEET C5