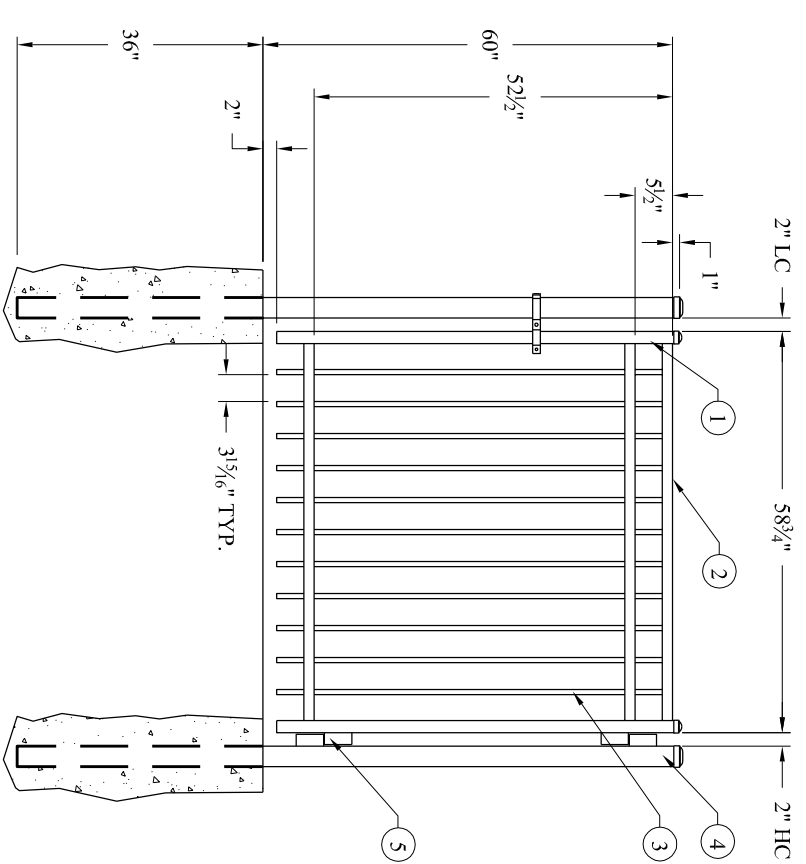


Panel Bracket Options	Roof to Post
1 RIBBED CHAINING RAIL	8" NOMINAL
2 RIBBED CHAINING RAIL	8" NOMINAL
3 1/2" X 1/2" X 1/4" PICKET	8" NOMINAL
4 3" X 1/2" X 1/4" PICKET	8" NOMINAL
5 GATE HARDWARE	8" NOMINAL

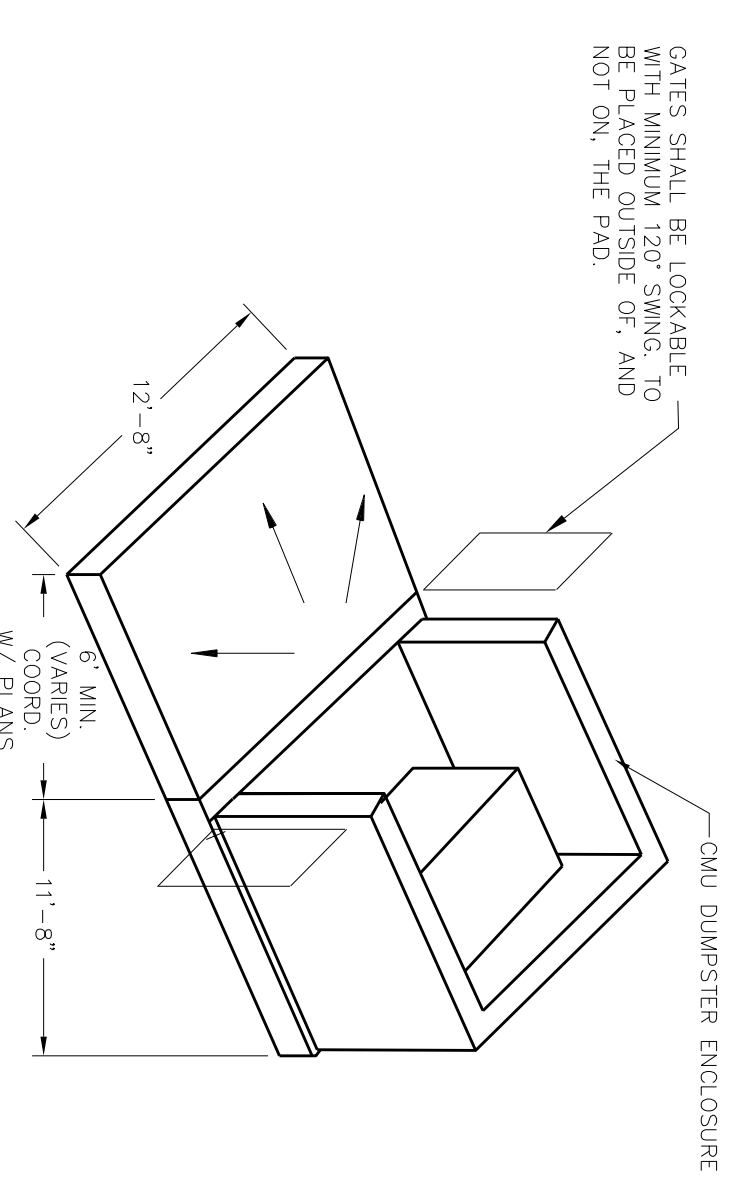
NOTES:  
 1. ALL DIMENSIONS ARE IN INCHES UNLESS OTHERWISE SPECIFIED.  
 2. ALL DIMENSIONS ARE TO FACE UNLESS OTHERWISE SPECIFIED.  
 3. ALL DIMENSIONS ARE TO CENTERLINE UNLESS OTHERWISE SPECIFIED.  
 4. ALL DIMENSIONS ARE TO SURFACE UNLESS OTHERWISE SPECIFIED.  
 5. ALL DIMENSIONS ARE TO CENTERLINE UNLESS OTHERWISE SPECIFIED.

<b>ECHELON II PANEL MASTITIC CAR EXT. 4" GAP 5TH SW</b>		1555 N. Mingo Tulsa, OK 74116 1-888-333-3422	
DR: AR	SH: 1 of 1	SCALE: DO NOT SCALE	REV: a
CK: RTM	Date: 02/19/07		

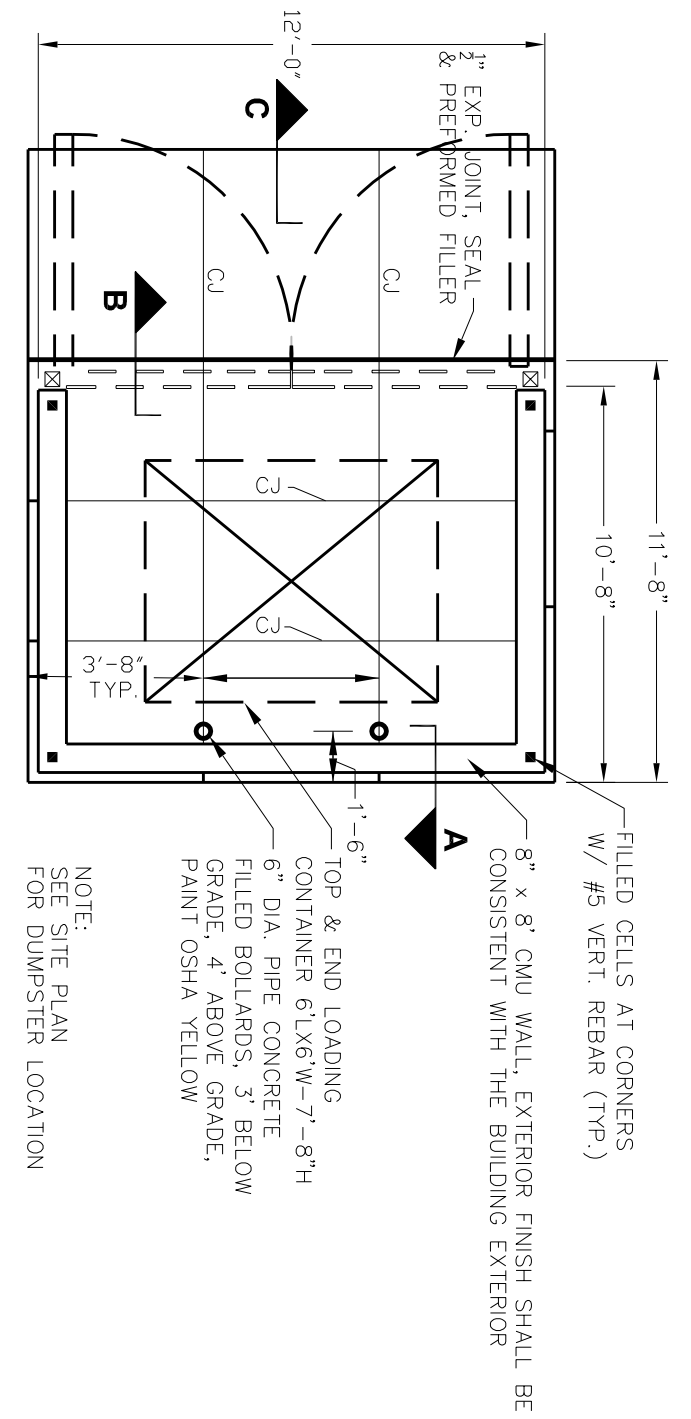


- 1 1/2" X 1/4" GATE END
- 2 RIBBED CHAINING RAIL
- 3 1/2" X 1/2" X 1/4" PICKET
- 4 3" X 1/2" X 1/4" PICKET
- 5 GATE HARDWARE

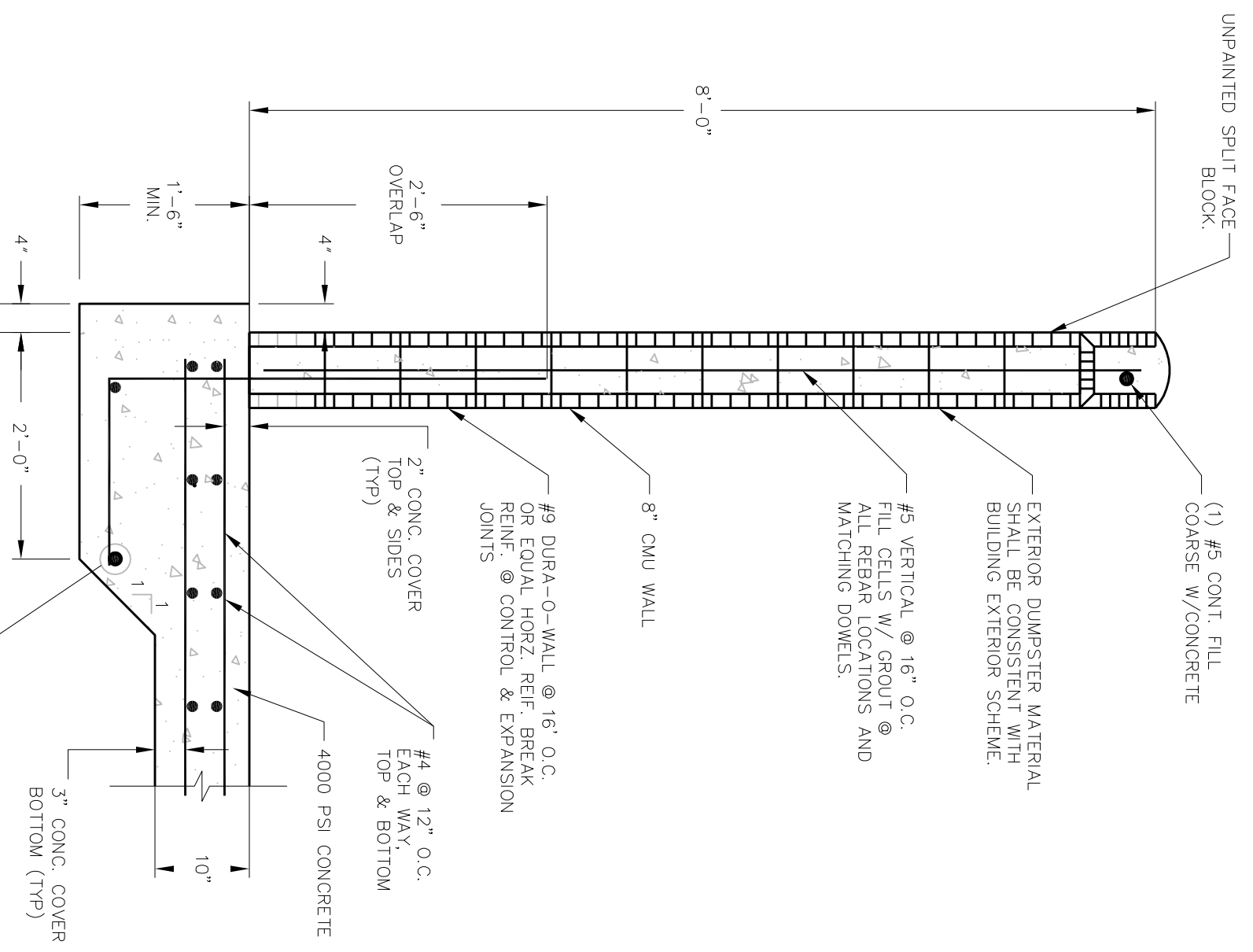
<b>MONTAGE PLUS SWING MASTITIC 3 RAIL, 4 IN GAP 5 FT H 5 FT OPENING SGL GATE</b>		1555 N. Mingo Tulsa, OK 74116 1-888-333-3422	
DR: RTM	SH: 1 of 1	SCALE: Do Not Scale	REV: a
CK: RTM	Date: 3/9/07		



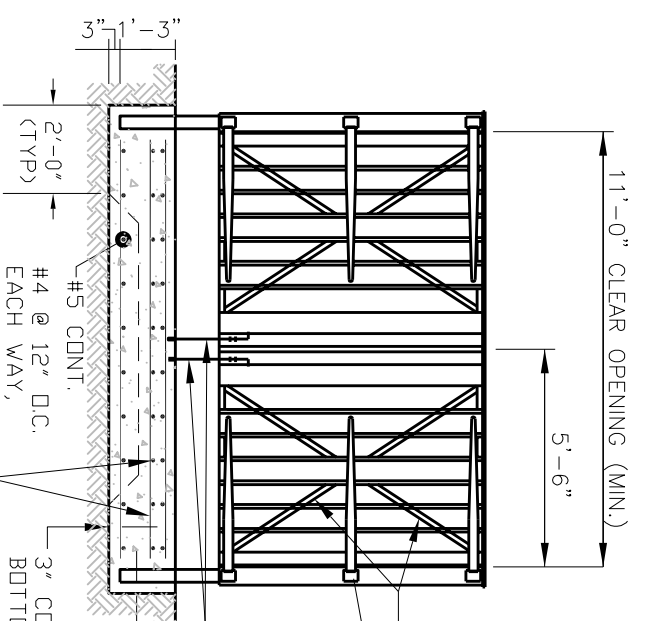
**DUMPSTER PAD DETAIL**  
NTS



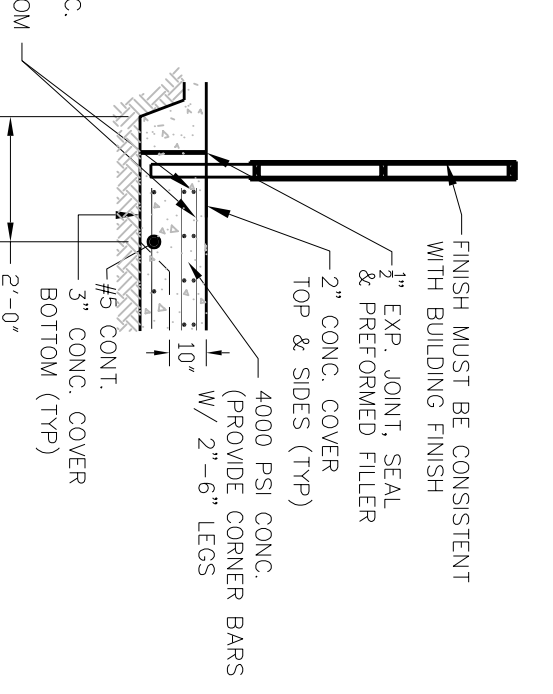
**DUMPSTER PAD DETAIL**  
NTS



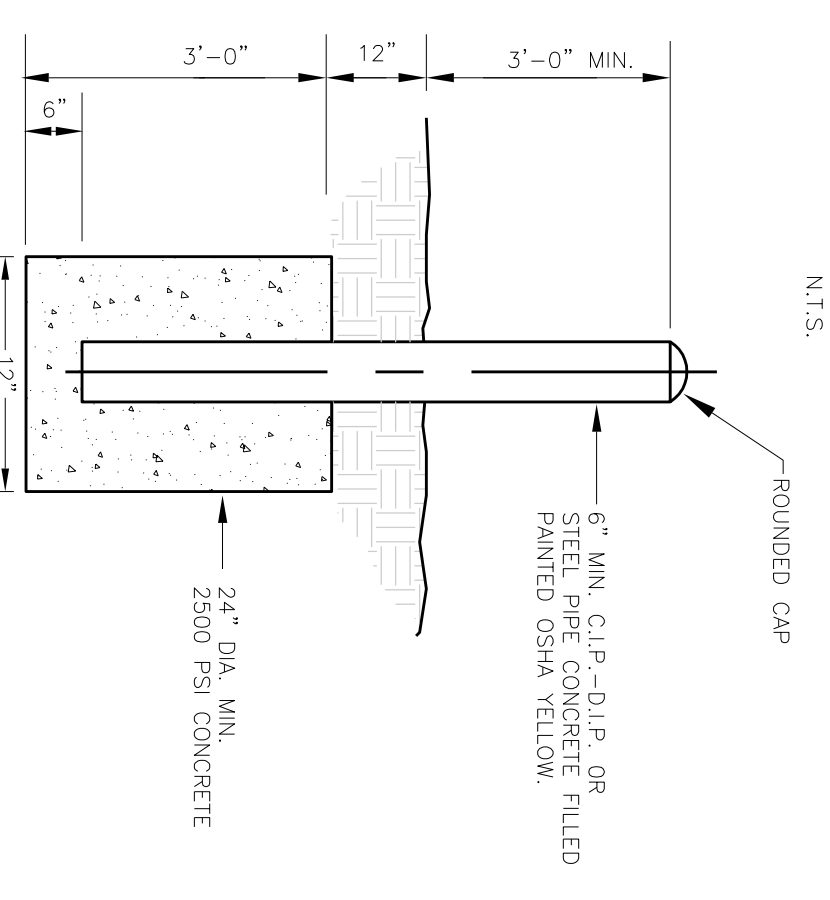
**SECTION A**  
**DUMPSTER ENCLOSURE**  
NTS



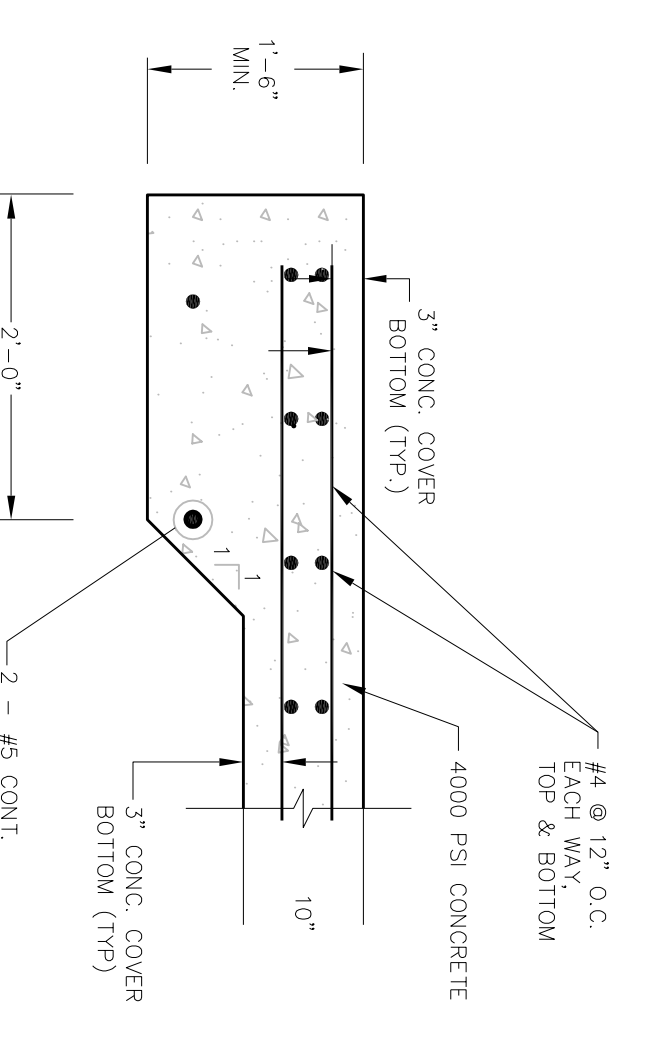
**DUMPSTER GATE DETAIL**  
NTS



**SECTION B**  
**TRASH DUMPSTER GATE**  
NTS



**BOLLARD DETAIL**  
NTS



**SECTION C**  
**TYP. TURN-DOWN-SLAB EDGE**  
NTS

REVISIONS				
No.	DATE	DESCRIPTION	APP'D BY	
1	03-31-09	CITY OF ORLANDO COMM.	QTL	
2	05-11-09	ADD OUC NOTES	QTL	
3	08-04-09	CITY OF ORLANDO COMM. (BLD2009-03635)	QTL	
4	09-18-09	CITY OF ORLANDO BLD2009-00444 COMM.	QTL	
5	10-02-09	FDOT UTILITY PERMIT	QTL	

# FIRST HAITIAN FREE CHURCH OF NAZARENE BY FAITH RENOVATION

## SITE DETAILS

**Civil Engineering, Inc.**  
 2504 E. JACKSON STREET  
 ORLANDO, FL 32803  
 OFFICE: 407-228-9540  
 FAX: 407-228-9541

CERTIFICATE OF AUTHORIZATION No. 27340

THIS DOCUMENT AND ANY DESIGN DOCUMENTS, SPECIFICATIONS, DRAWINGS, OR CALCULATIONS ARE THE PROPERTY OF CIVIL ENGINEERING, INC. AND IS COPYRIGHTED. THIS DOCUMENT IS INTENDED TO BE USED BY THIS CLIENT ONLY. ANY REPRODUCTION OR USE OF THIS DOCUMENT IS PROHIBITED WITHOUT THE WRITTEN CONSENT OF CIVIL ENGINEERING, INC.

NOT FOR CONSTRUCTION UNLESS SIGNED AND SEALED

QUANG T. LAM, P.E.  
 FL REGISTRATION No. 62550

PROJECT No. 2008.999.07  
 DATE: 11-05-09  
 DRAWN BY: LCE  
 APPROVED BY: QTL

**SHEET C5.1**