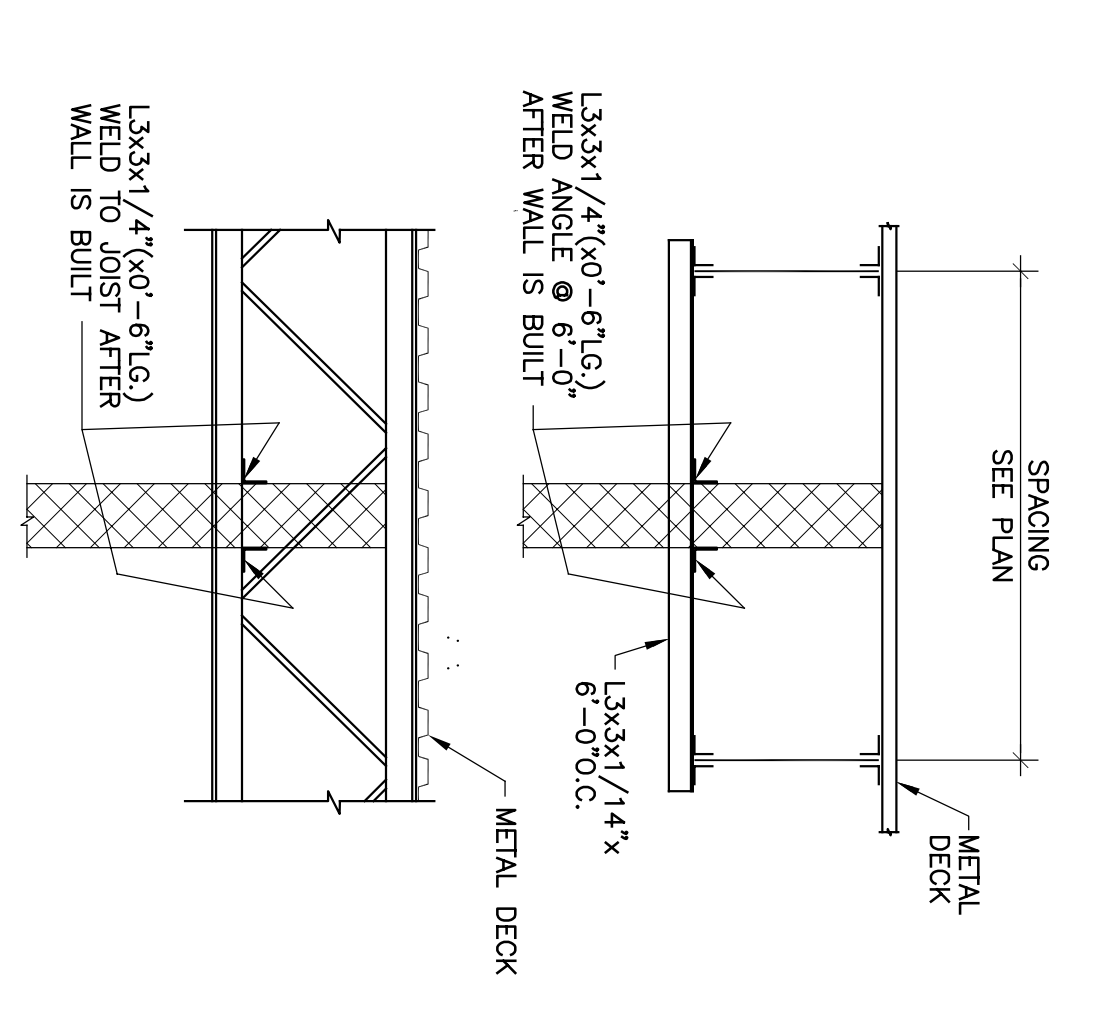
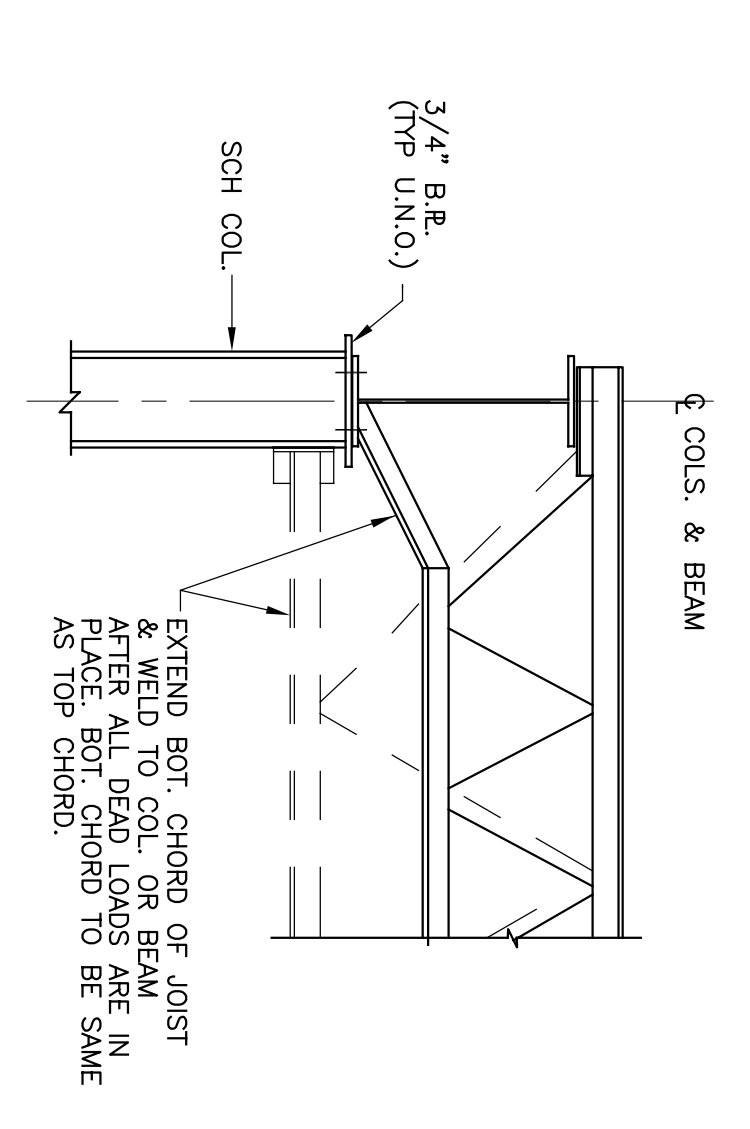


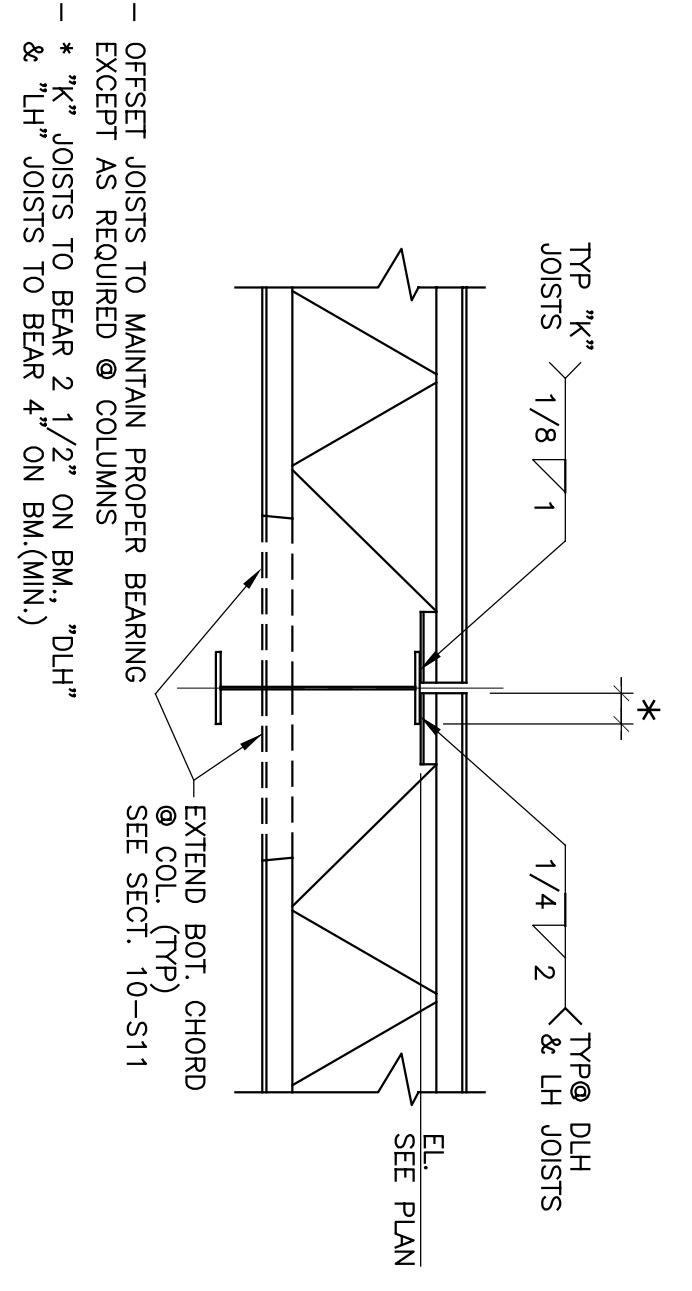
TYPICAL FLOOR SLAB
DETAIL 1-S8
N.T.S.



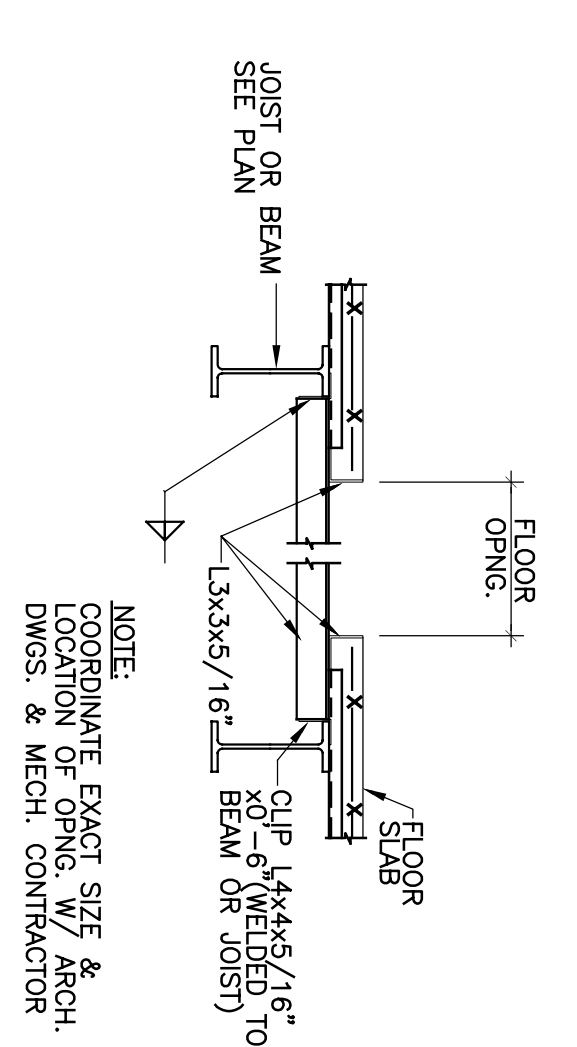
TYPICAL LATERAL SUPPORT
OF INTERIOR MSY. WALLS
DETAIL 2-S8
N.T.S.



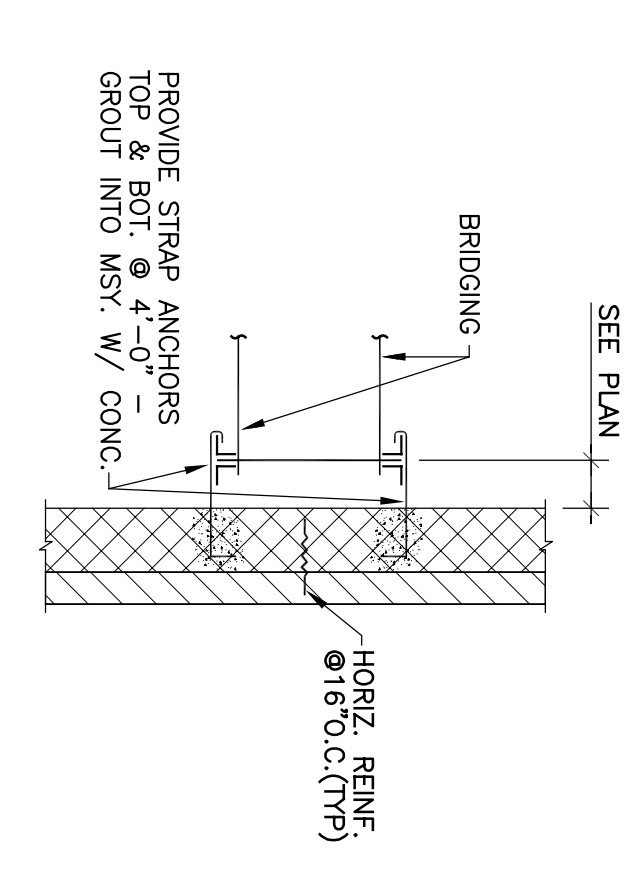
TYPICAL JOIST @ COL.
DETAIL 6-S8
N.T.S.



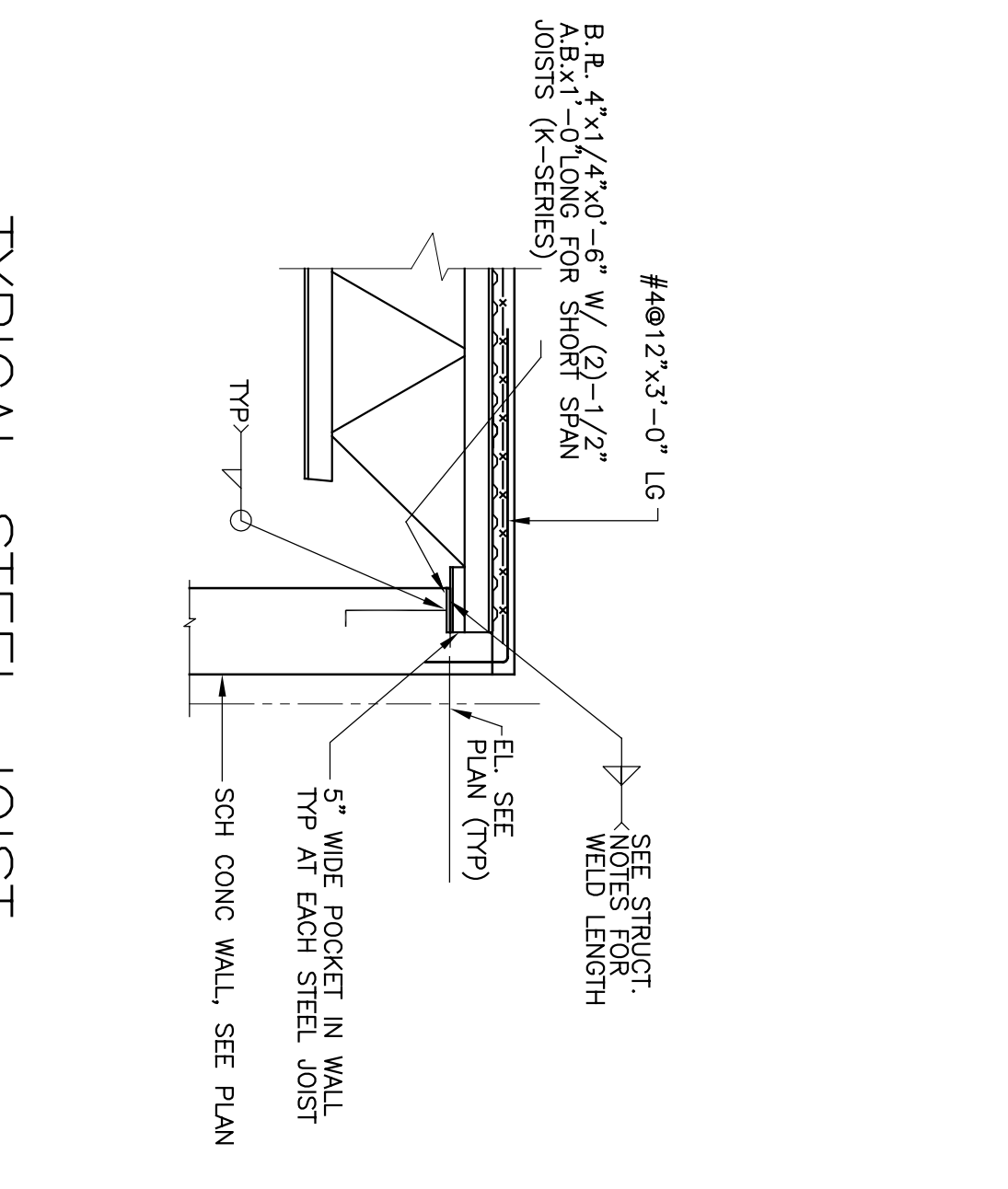
TYPICAL STEEL JOIST
BEARING ON STEEL BEAM
DETAIL 7-S8
N.T.S.



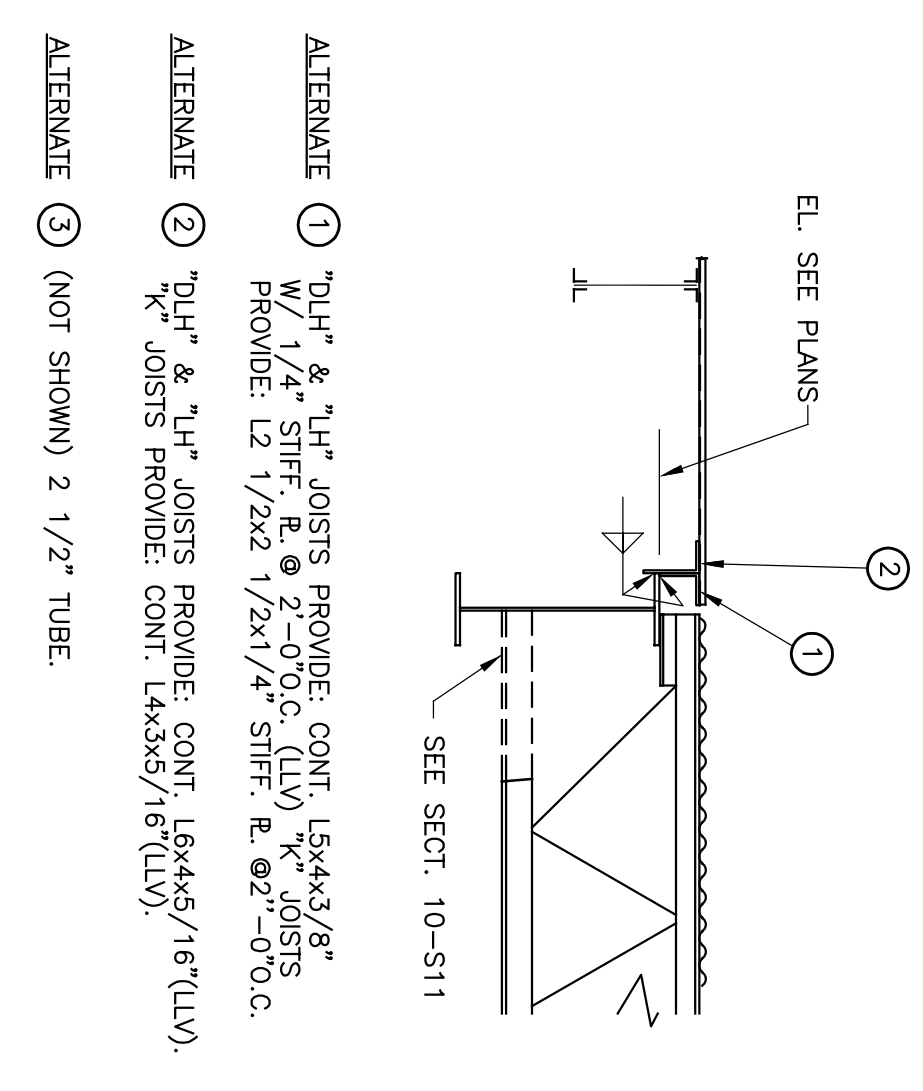
TYPICAL FLOOR OPENING
DETAIL 11-S8
N.T.S.



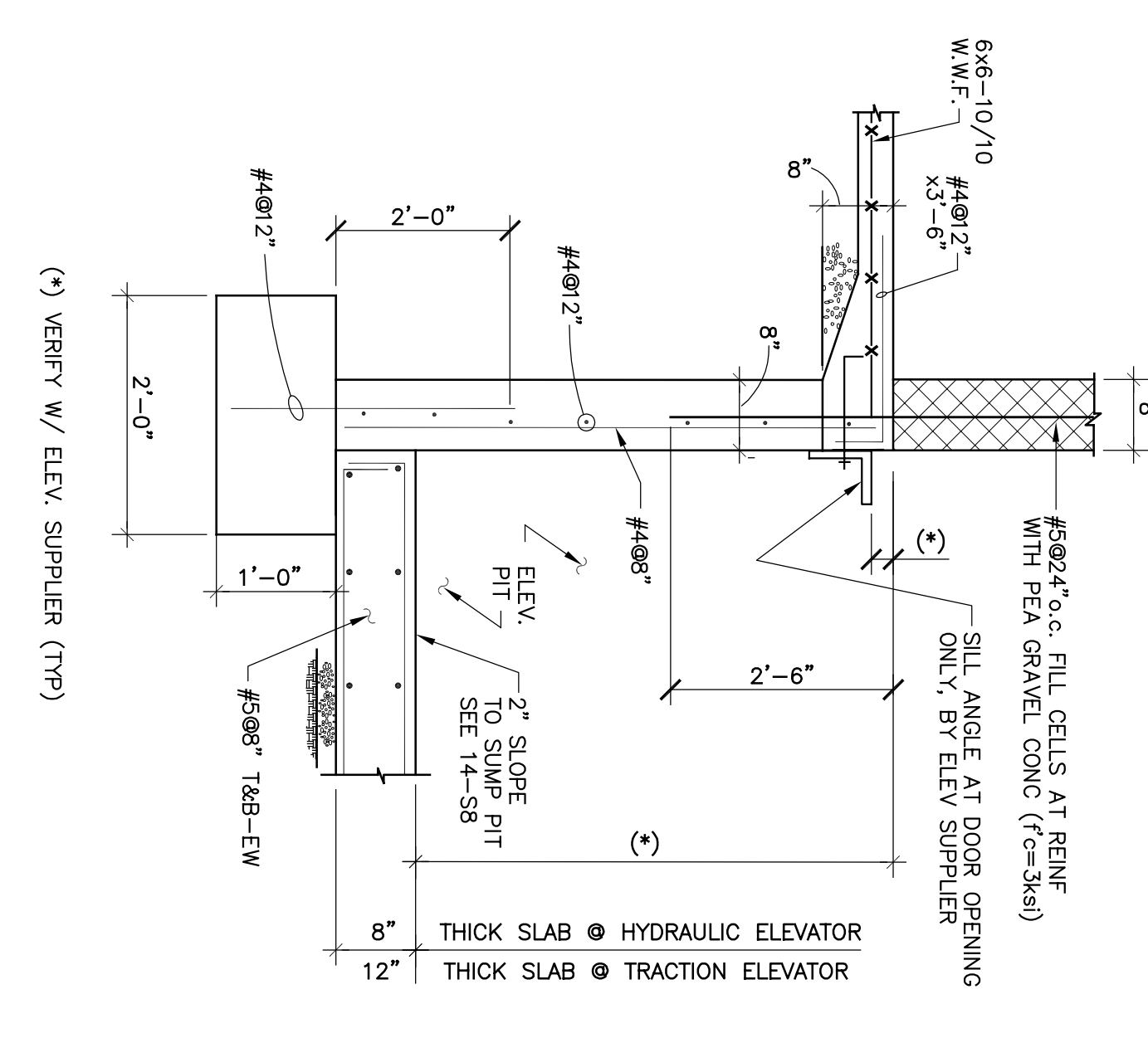
TYPICAL STEEL JOIST
PARALLEL TO WALL
DETAIL 12-S8
N.T.S.



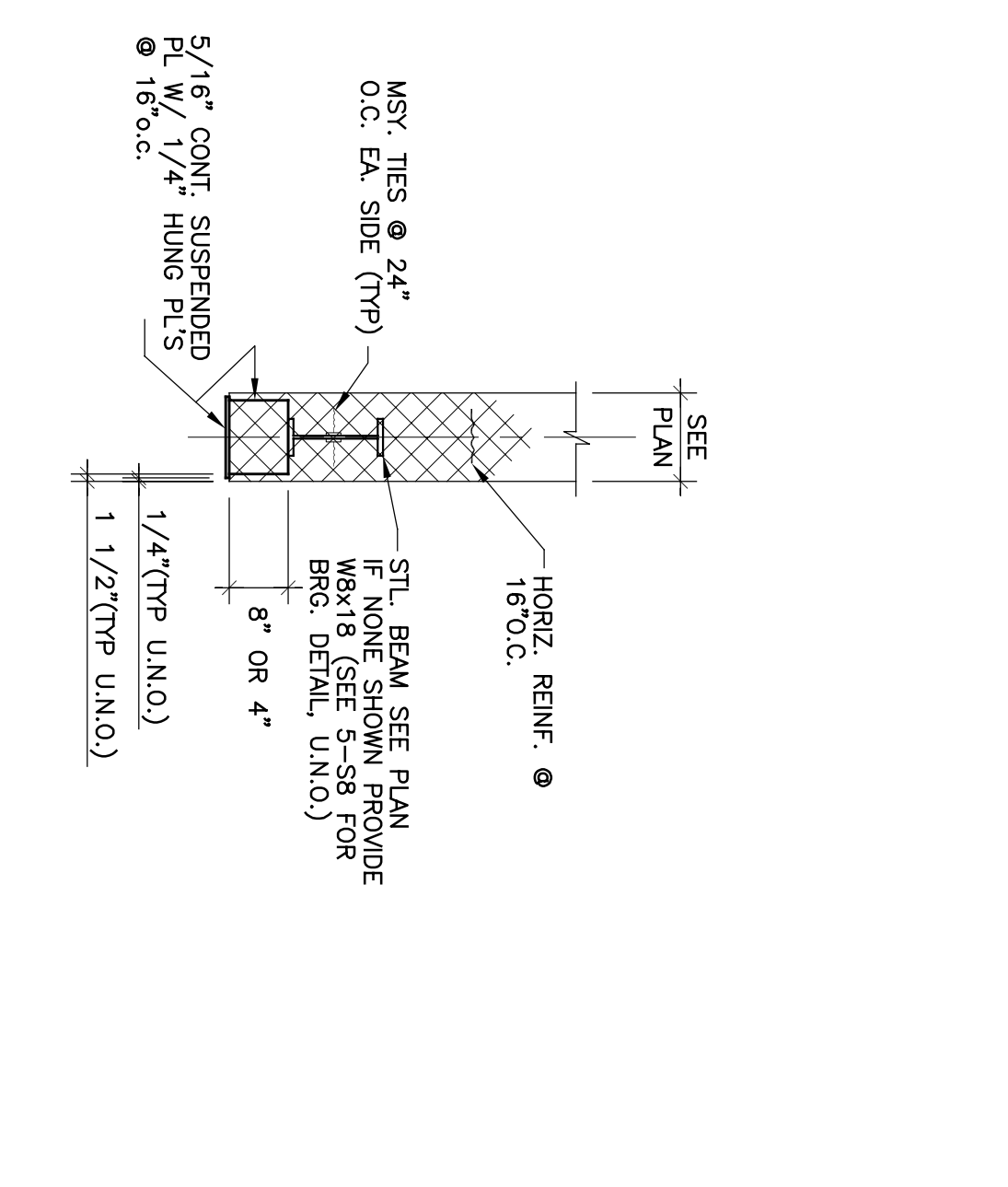
TYPICAL STEEL JOIST
BEARING ON CONC / MASONRY
DETAIL 3-S8
N.T.S.



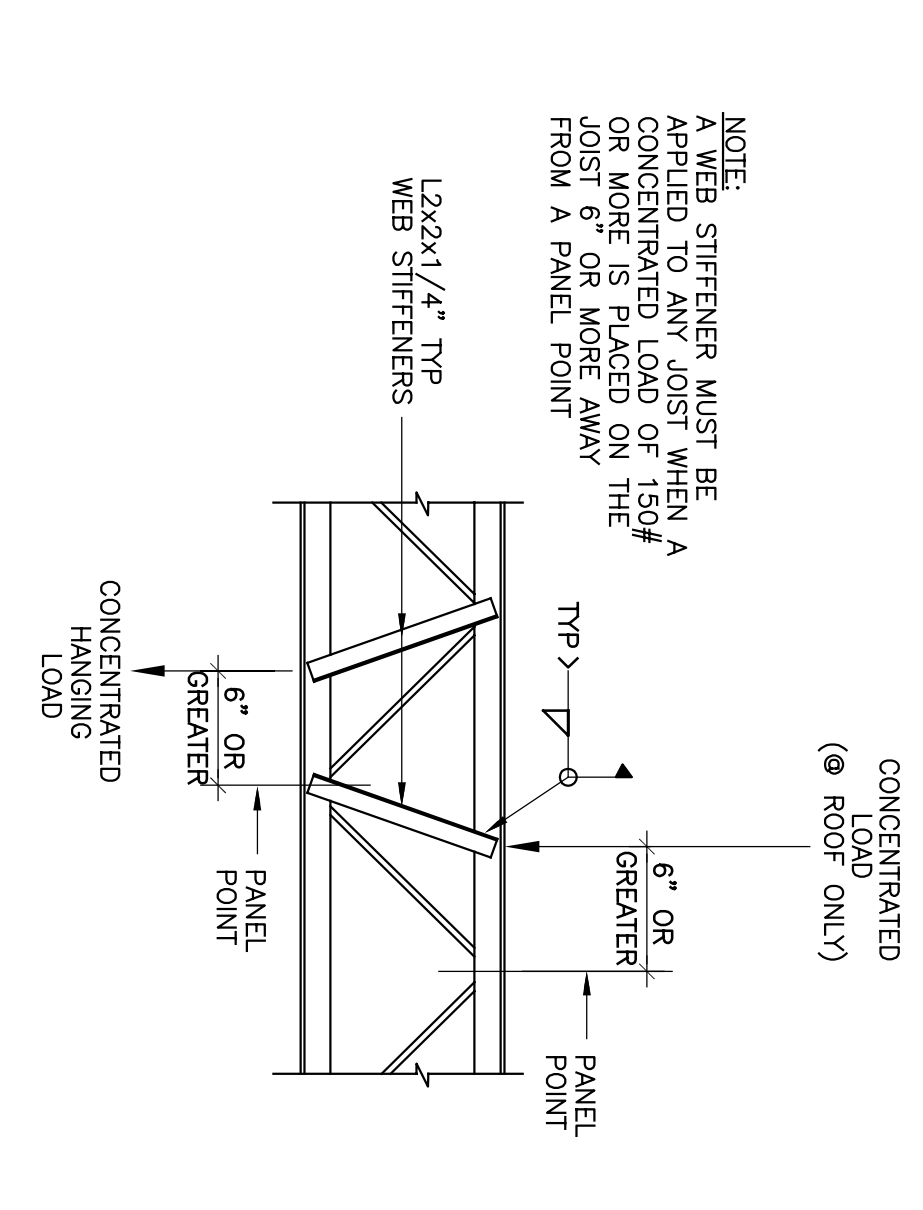
TYPICAL CHANGE IN
DIRECTION OF FRAMING
DETAIL 8-S8
N.T.S.



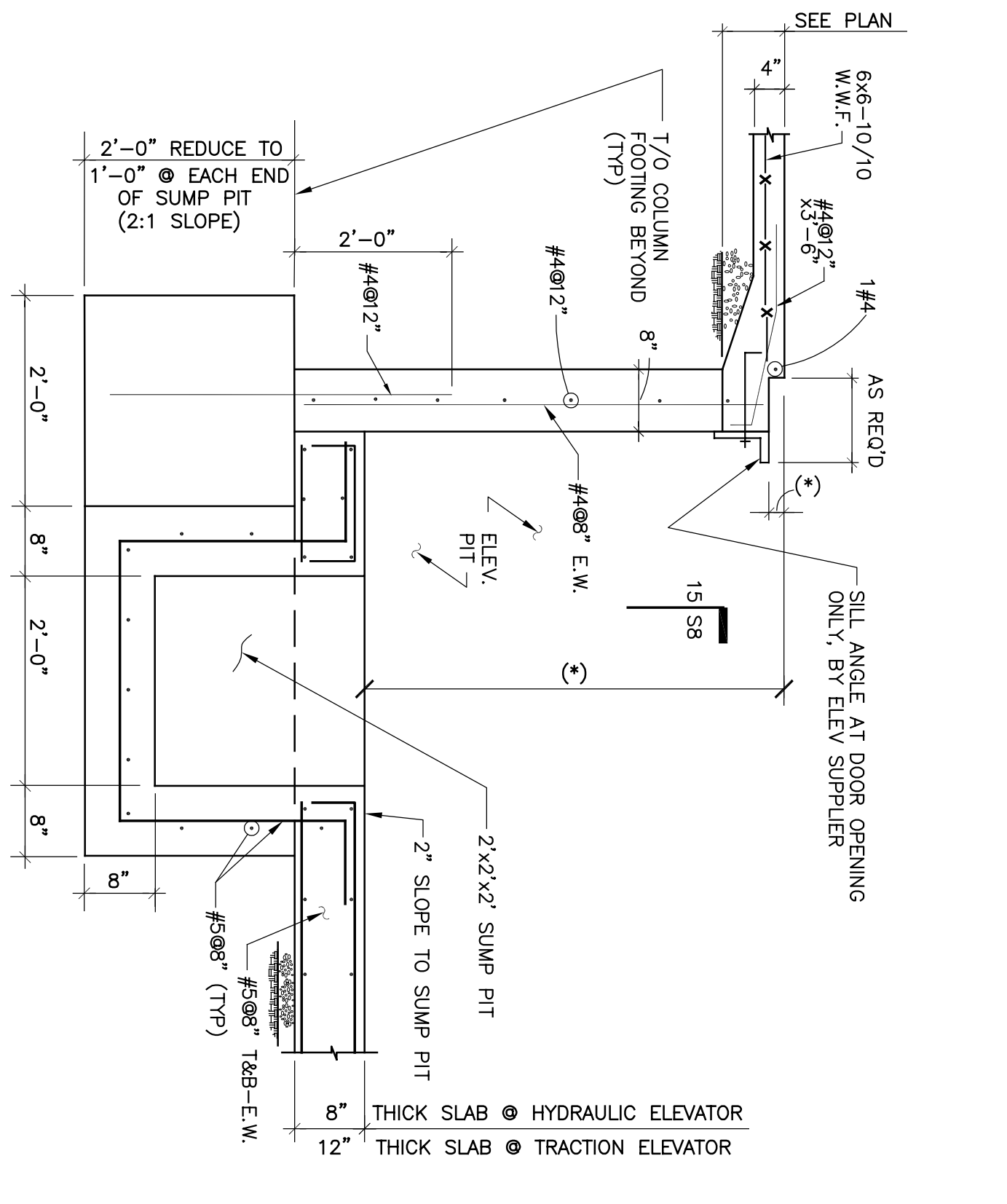
TYP ELEVATOR PIT
SECTION 13-S8
1/2"=1'-0"



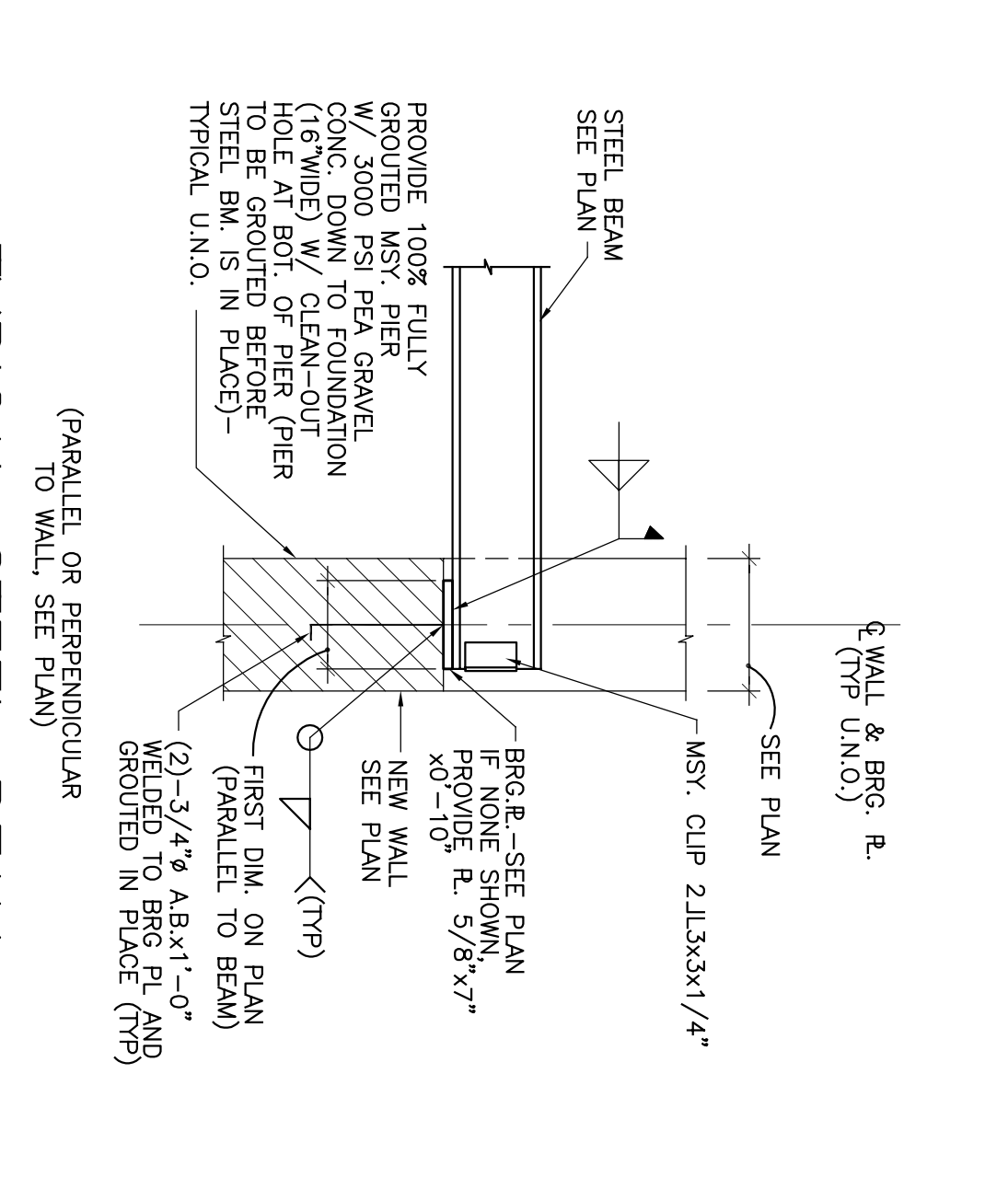
TYPICAL HEADER BEAM
DETAIL 4-S8
N.T.S.



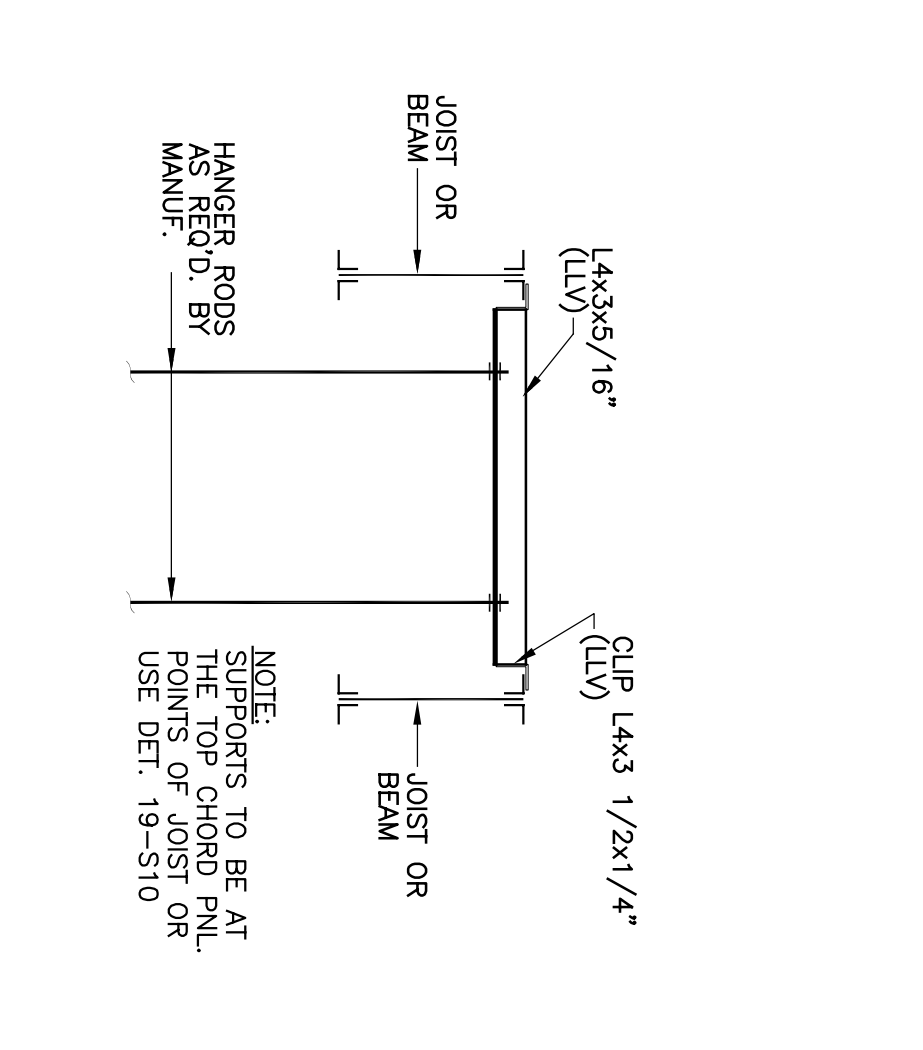
TYPICAL STEEL JOIST
WEB STIFFENER
DETAIL 9-S8
N.T.S.



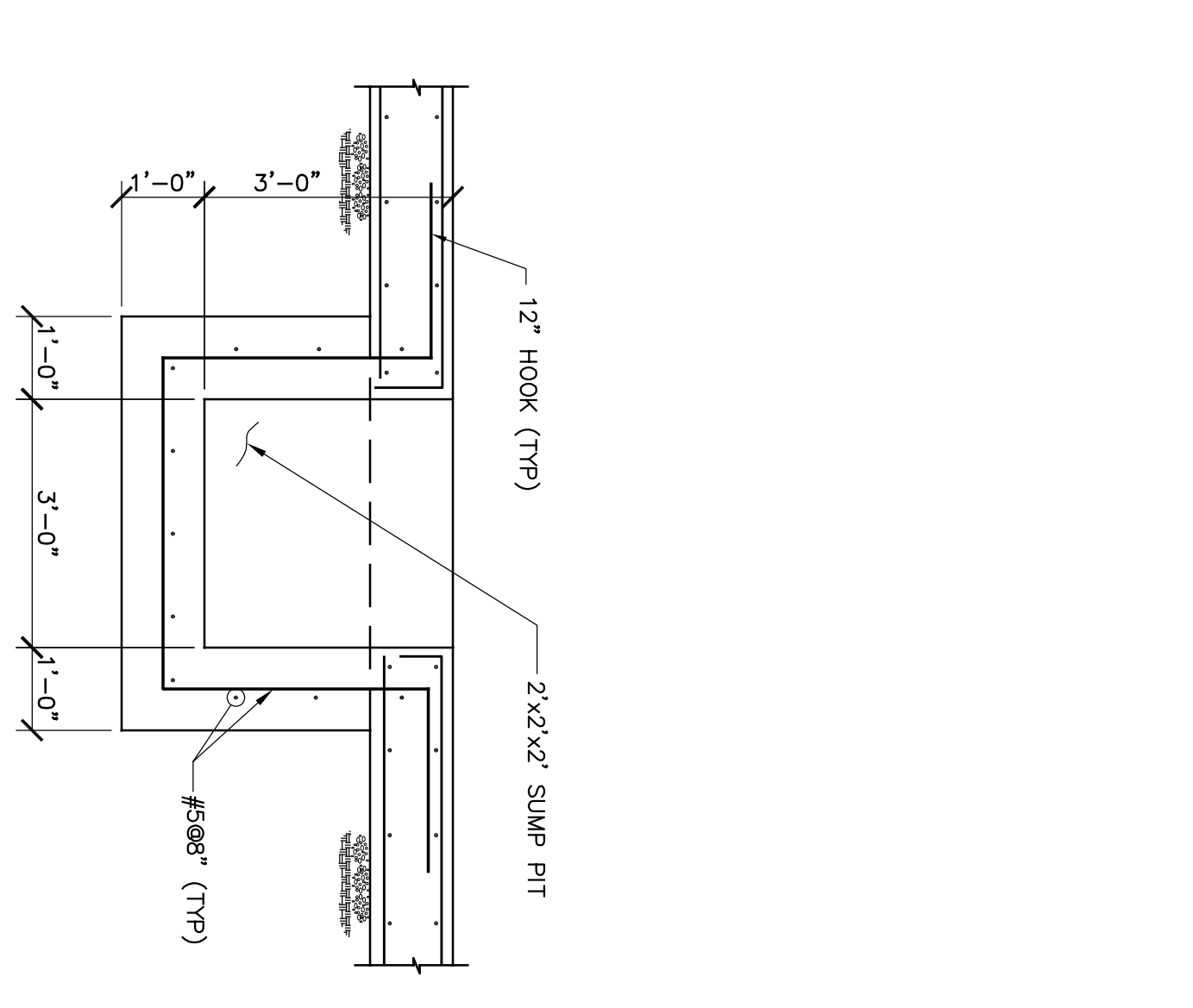
TYP ELEVATOR SUMP PIT
SECTION 14-S8
1/2"=1'-0"



TYPICAL STEEL BEAM
BEARING ON MASONRY
DETAIL 5-S8
N.T.S.



TYP SUPPORT OF CEILING
HUNG MECH. EQUIPMENT
DETAIL 10-S8
N.T.S.



TYPICAL ELEVATOR SUMP PIT
SECTION 15-S8
1/2"=1'-0"

Date:	
Revisions:	

Consultants:
Tadger Cohen Edelson Assoc.
CONSULTING STRUCTURAL ENGINEERS

1109 Spring St.
Suite #510
Baltimore, MD 21202
(301) 588-1800
(301) 588-1966

104043.00

Certification:

Project Title:
BETH SHALOM A.M.E. ZION CHURCH
2501 RITCHIE ROAD
DISTRICT HEIGHTS, MARYLAND 20735

TYPICAL DETAILS

Philip Aaron Lacy, Architects
6188 Oxon Hill Road, Suite 303
Oxon Hill, Maryland 20745
Phone: 301-567-8223

Drawing No. **S8**

Date: NOV. 21, 2005
Scale: AS NOTED
Drawn:
Checked:
File No.