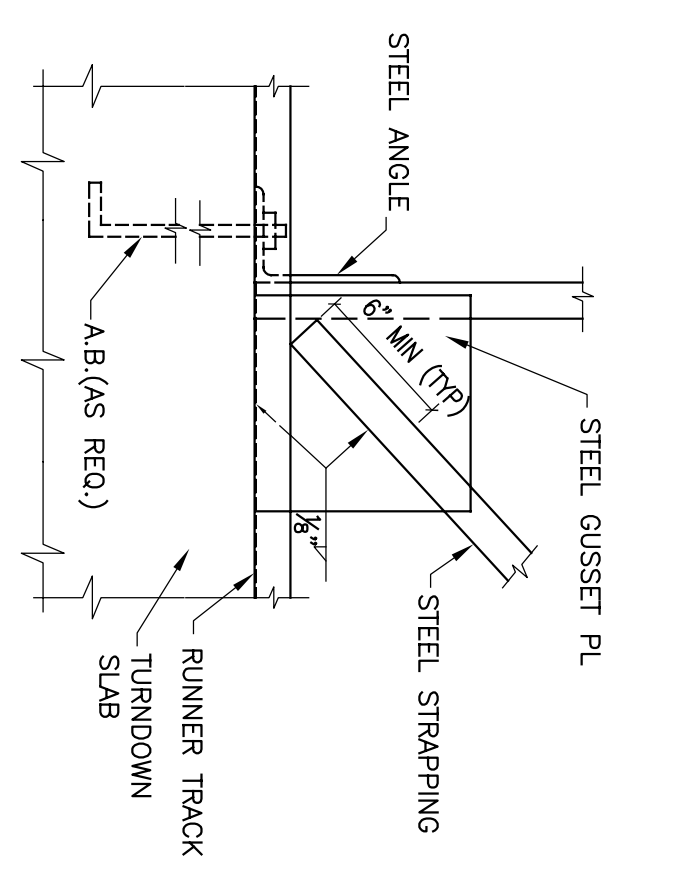
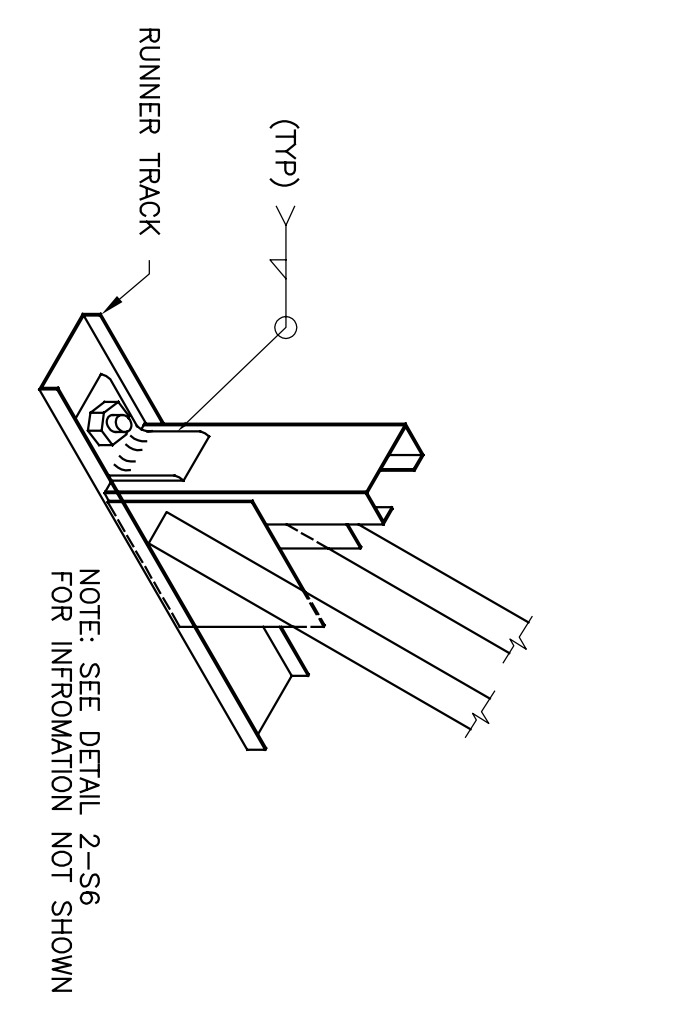


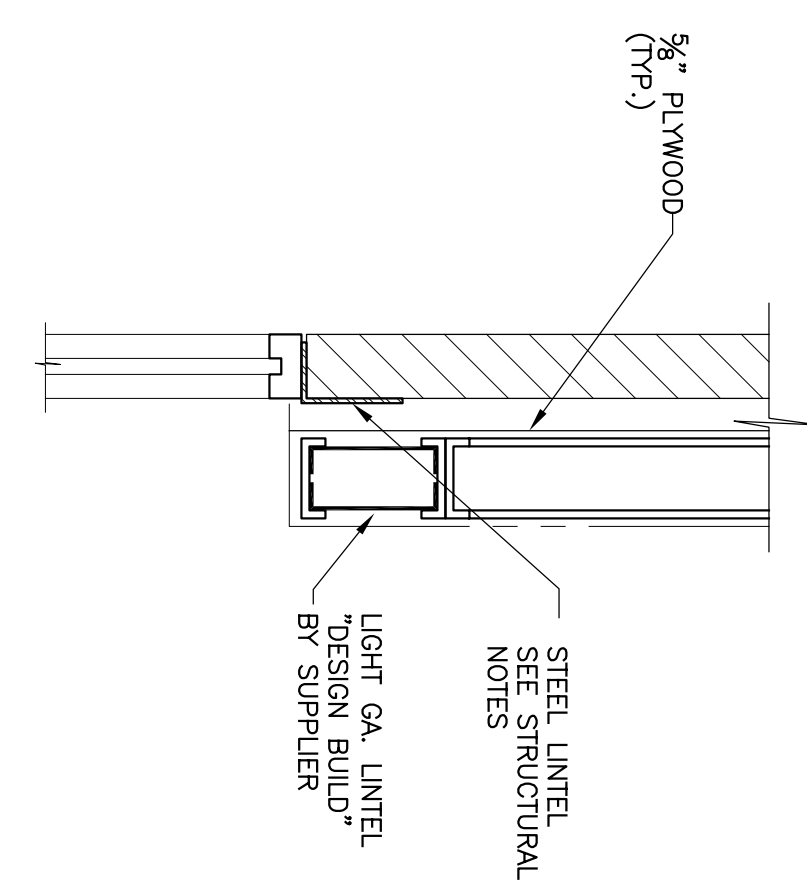
TYPICAL DIAGONAL LIGHT GAUGE TENSION STRAPPING
SECTION 1-S6
N.T.S.



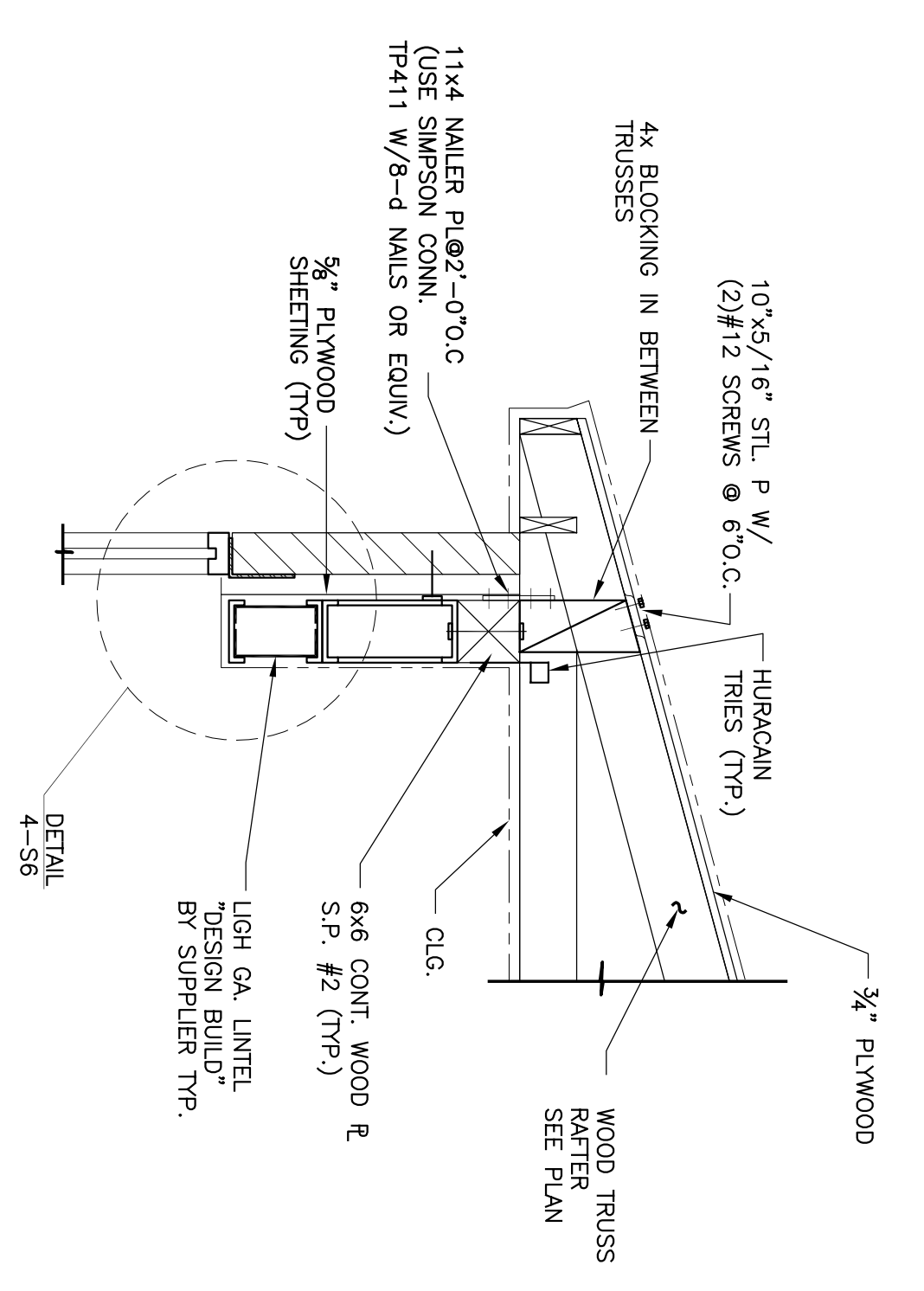
PROPOSED CONNECTION DETAIL
SECTION 2-S6
N.T.S.



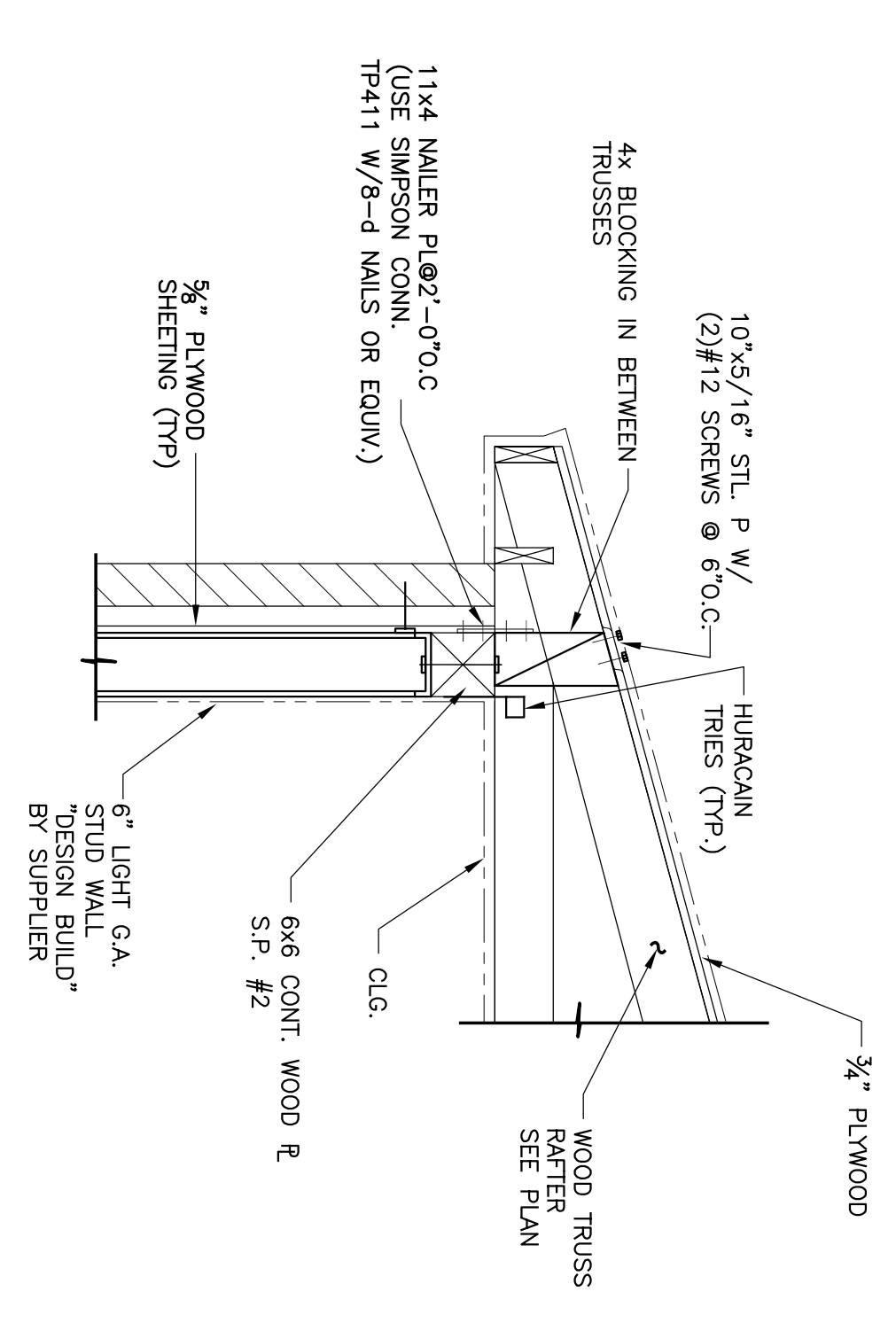
PROPOSED CONNECTION DETAIL
SECTION 3-S6
N.T.S.



TYPICAL LINTEL DETAIL
SECTION 4-S6
3/4\"/>



TYPICAL LINTEL DETAIL AT ROOF
SECTION 5-S6
3/4\"/>



TYPICAL EXT WALL & ROOF TRUSSES DETAIL
SECTION 6-S6
3/4\"/>

Revisions:	Date:

Consultants:
Tadger Cohen Edelson Assoc.
CONSULTING STRUCTURAL ENGINEERS

1109 Spring St. Suite #510
Oxon Hill, MD 20745
(301) 588-1966

Certification:

Project Title:
BETH SHALOM A.M.E. ZION CHURCH
2501 RITCHIE ROAD
DISTRICT HEIGHTS, MARYLAND 20735

TYPICAL DETAILS

Philip Aaron Lacy, Architects
6188 Oxon Hill Road, Suite 303
Oxon Hill, Maryland 20745
Phone: 301-567-8223

Date: NOV 21, 2005
Scale: AS NOTED
Drawn:
Checked:
File No.

Drawing No. **S6**
of