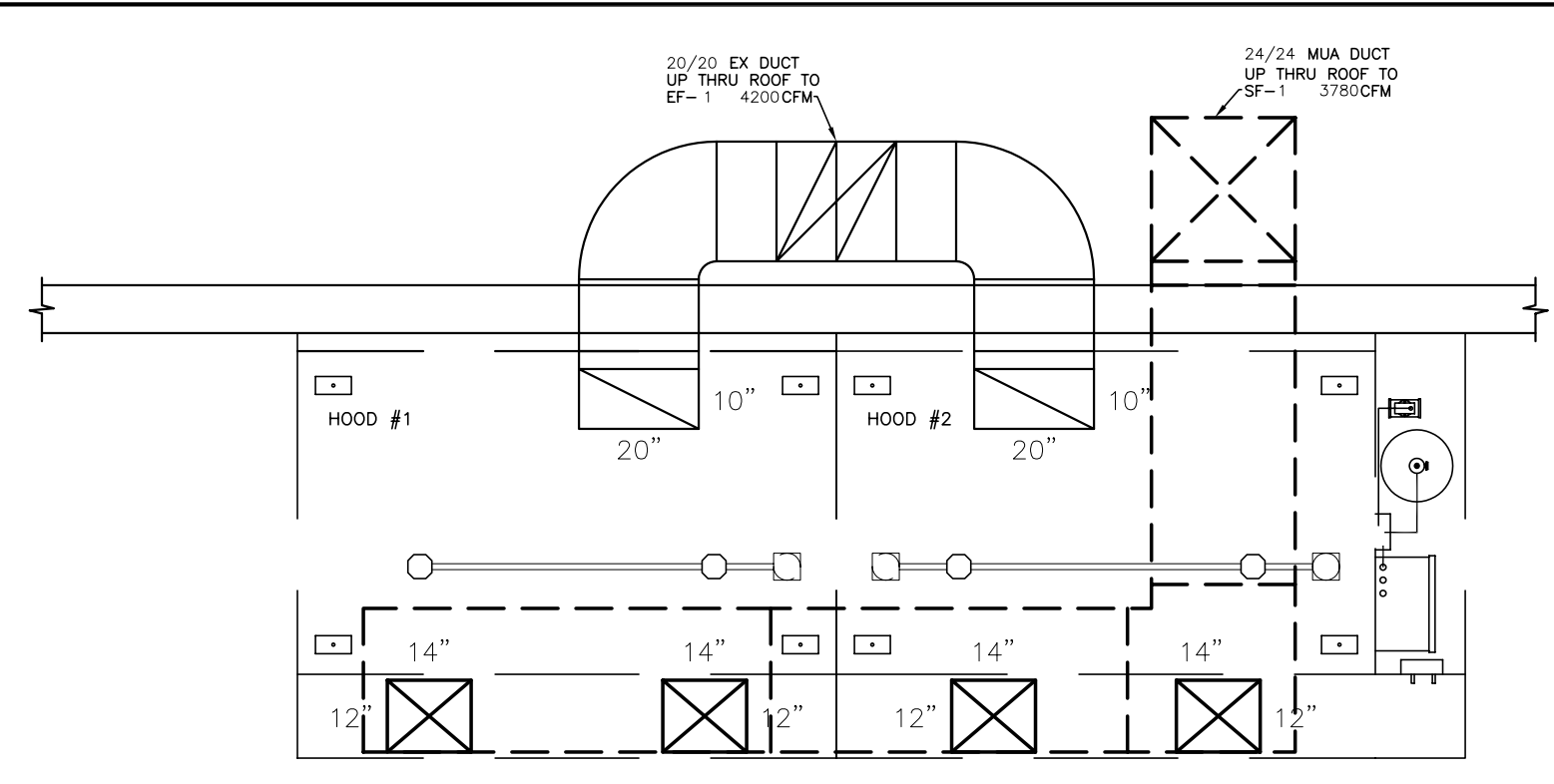
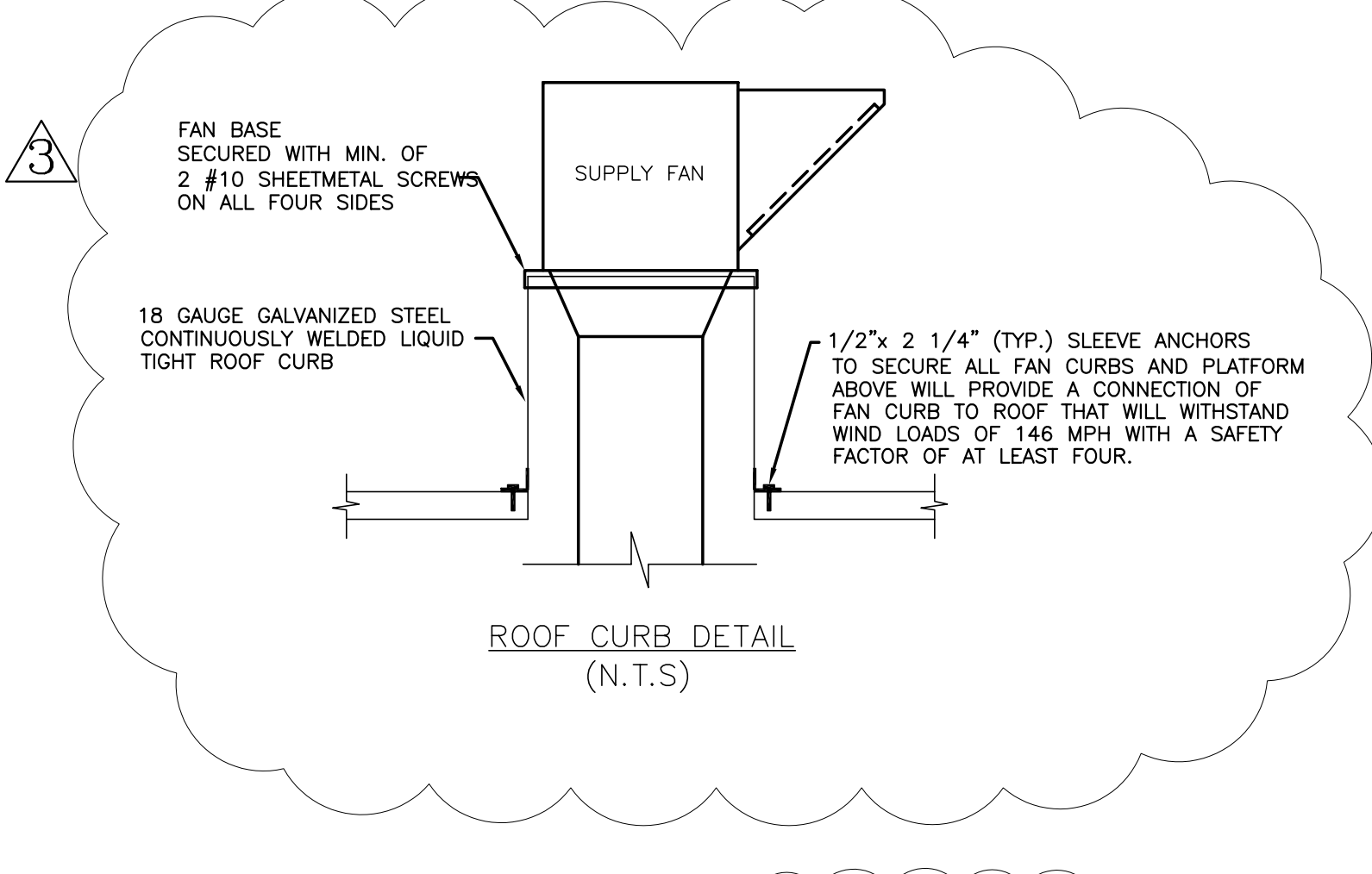
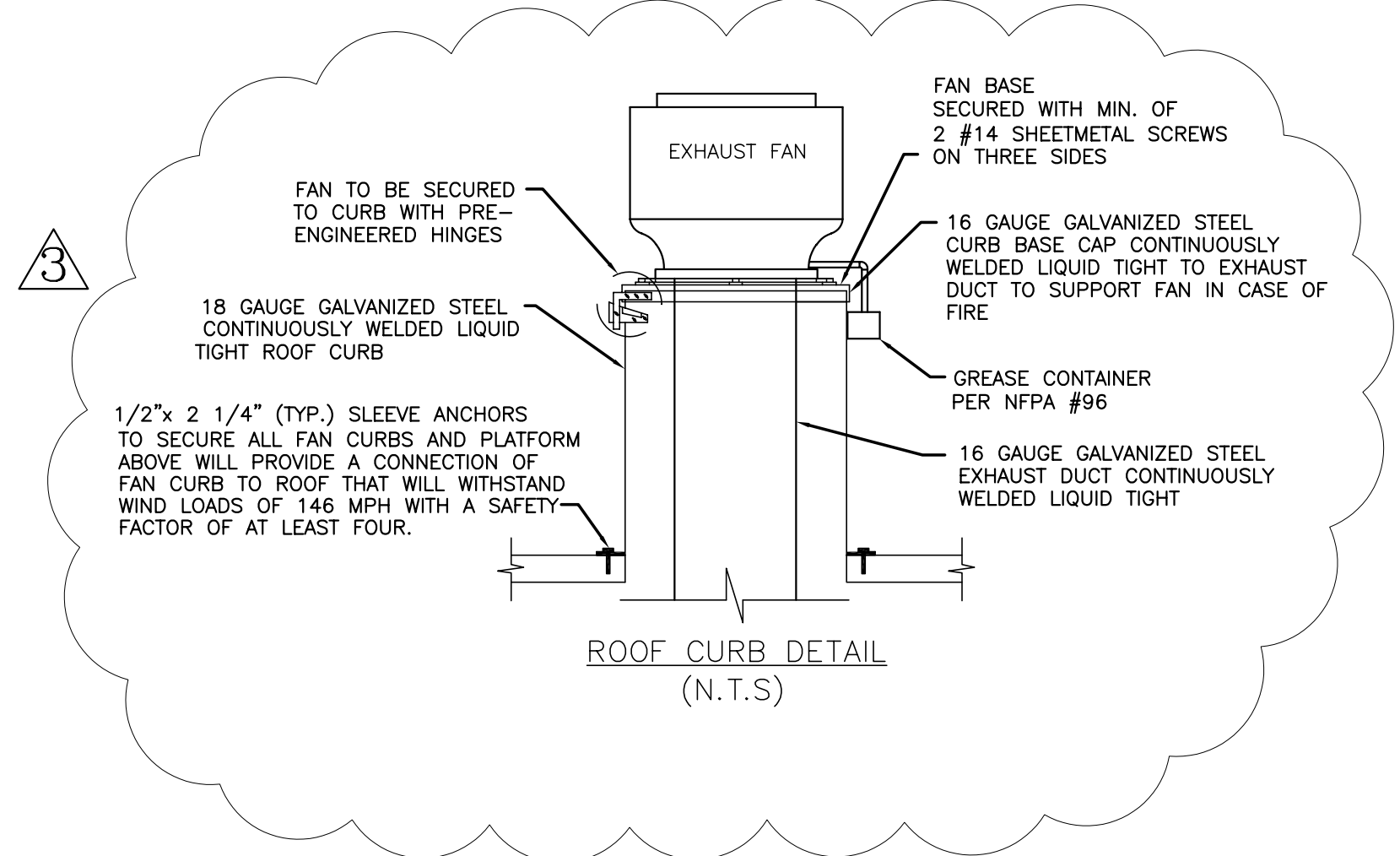
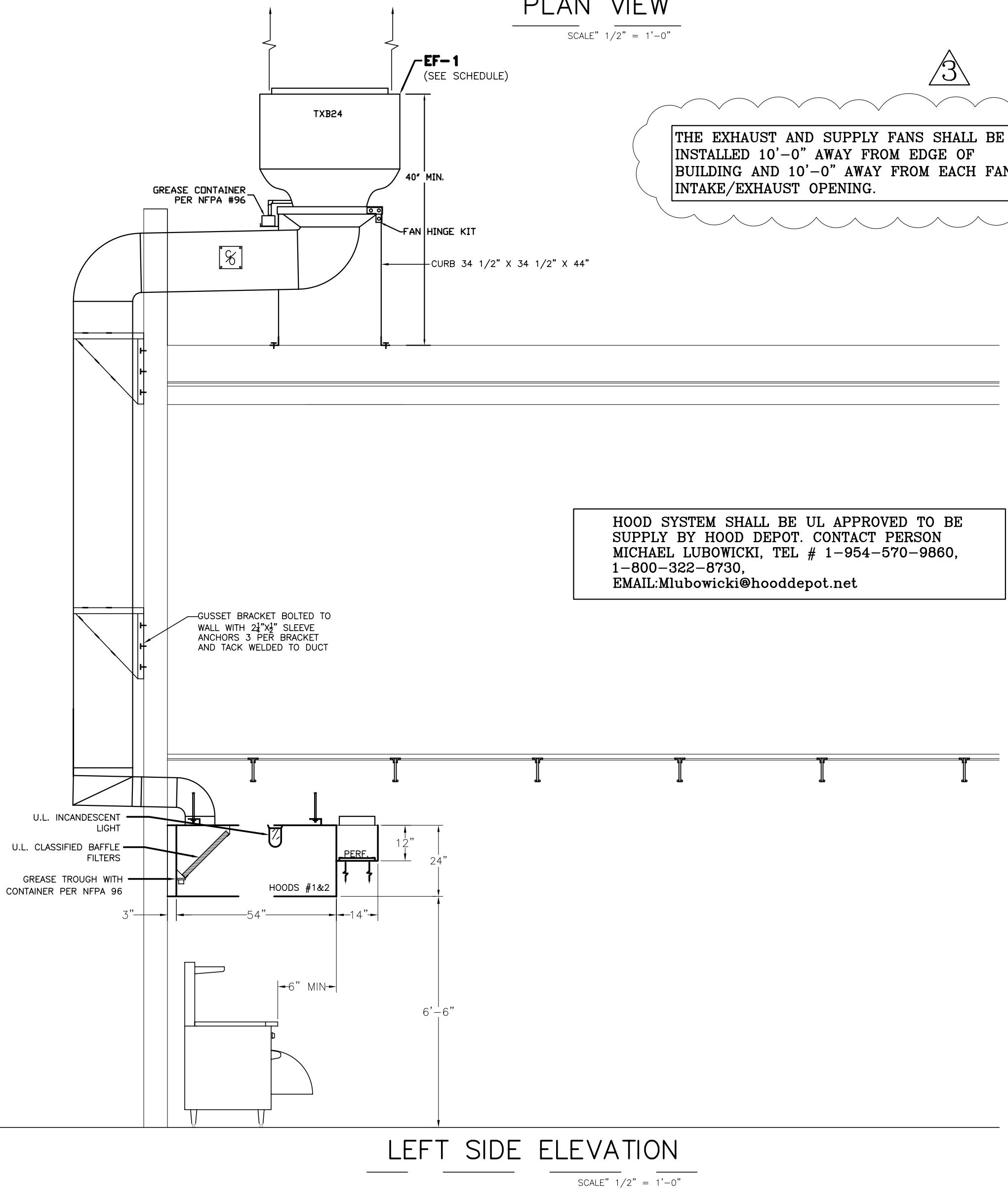


COPYRIGHT - 2008 - RAMOSMARTINEZ architects, inc. All ideas, designs and details indicated or represented by this drawing, created and developed for use on this project, are owned by, and are legal property of RamosMartinez Architects, Inc. Use, reproduction, distribution or alteration is prohibited without written authorization from the Architect.



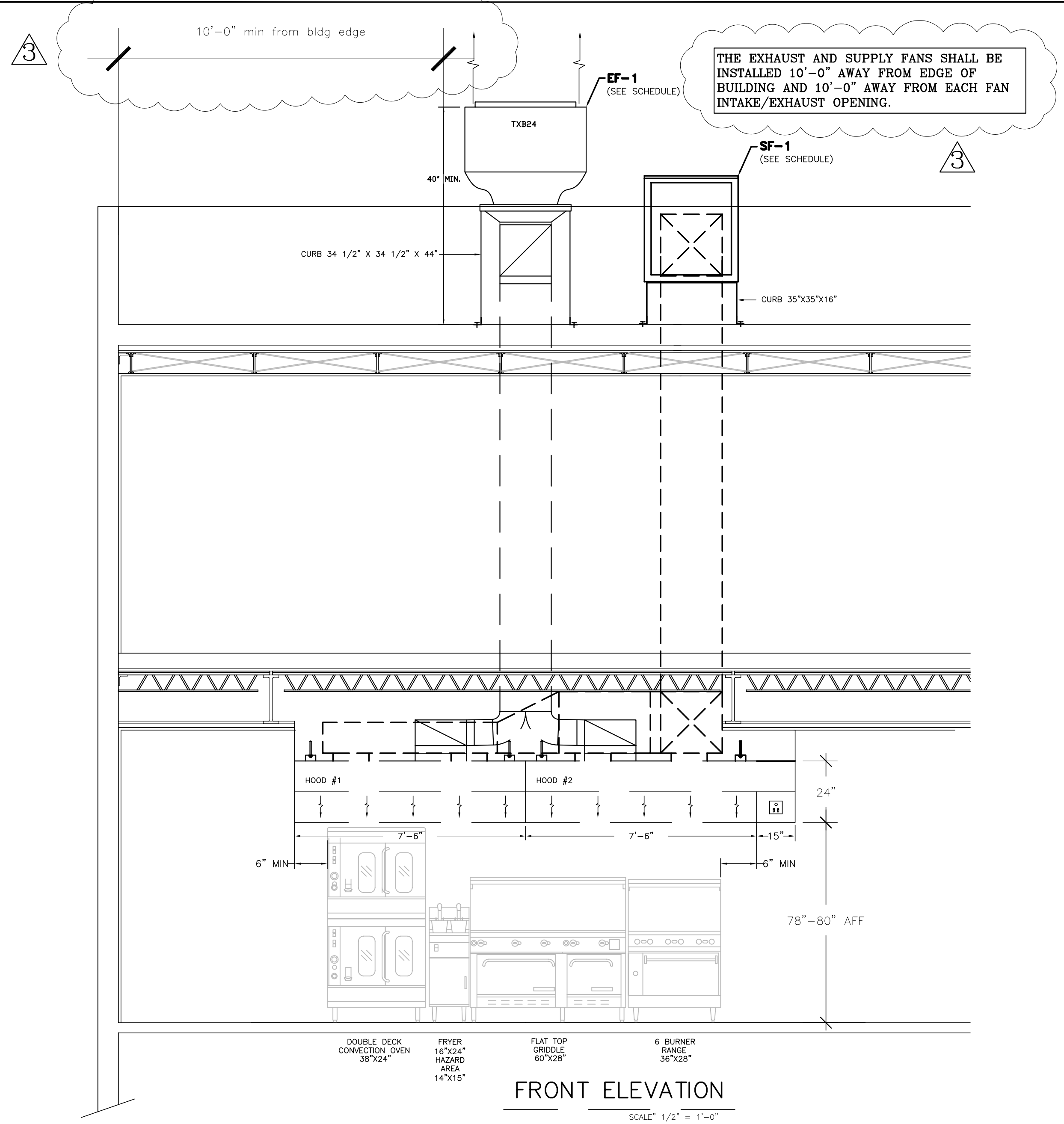
PLAN VIEW
SCALE: 1/2" = 1'-0"



LEFT SIDE ELEVATION
SCALE: 1/2" = 1'-0"

THE EXHAUST AND SUPPLY FANS SHALL BE INSTALLED 10'-0" AWAY FROM EDGE OF BUILDING AND 10'-0" AWAY FROM EACH FAN INTAKE/EXHAUST OPENING.

HOOD SYSTEM SHALL BE UL APPROVED TO BE SUPPLY BY HOOD DEPOT. CONTACT PERSON MICHAEL LUBOWICKI, TEL # 1-954-570-9860, 1-800-322-8730, EMAIL: mlubowicki@hooddepot.net



FRONT ELEVATION
SCALE: 1/2" = 1'-0"

		710 SOUTH POWERLINE ROAD DEERFIELD BEACH, FL 33442 E-MAIL: HOODEPOT@AOL.COM		CHIEF ENGINEER JOSEPH POTTS, P.E. PH# 800-322-8730 LICENSE # 22656	
L.I.M. DESIGN INC. 4925 COLLINS AVE. #7-D MIAMI BEACH, FL					
JOB NAME: FIRST HAITIAN CHURCH					
SCALE: NOTED				DRAWN BY: M.C.	
CHECK BY: R.Z.				DATE: 06/10/09	
TITLE: MECHANICAL HOOD DRAWING					
				P-258	
				2 of 2	

DANIEL F. GUTIERREZ, P.E.
 LIC. #049086

7328 SW 82 ST. B-214
 MIAMI FL 33143
 PH: (786) 499-4167
 FAX: (305) 867-5262
 CELL: 786-499-4167

RAMOSMARTINEZ
 ARCHITECTS
 NEW YORK
 985 S.W. 3009
 MIAMI, FL 33135
 TELEPHONE: 305-548-5209
 FACSIMILE: 305-548-5211
 WEBSITE: www.ramosmartinez.com

First Haitian Free Church of Nazarene by Faith
 IN
 ORLANDO FLORIDA

FIRST HAITIAN FREE CHURCH OF NAZARENE

308 SOUTH ORANGE BLOSSOM TRAIL
 ORLANDO, FLORIDA

REVISIONS:
 1 BLDG DEPT COMM 03-26-09
 2 BLDG DEPT COMM 08-31-09
 3 BLDG DEPT COMM 11-09-09

COMM. NO. 08-103
 DATE:
 DRAWN BY:
 CHECKED BY:

2
 1
M-6
 6 OF 6

DESIGN - INSPECTIONS