

COPYRIGHT - 2008 - RAMOSMARTINEZ architects, inc. All ideas, designs and details indicated or represented by this drawing, created and developed for use on this project, are owned by, and are legal property of RamosMartinez Architects, Inc. Use, reproduction, distribution or alteration is prohibited without written authorization from the Architect.

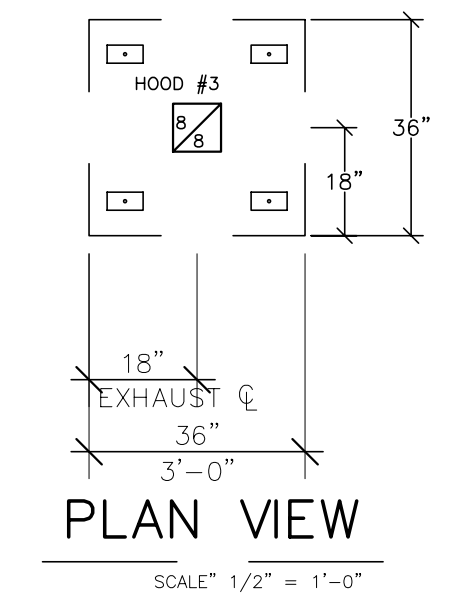
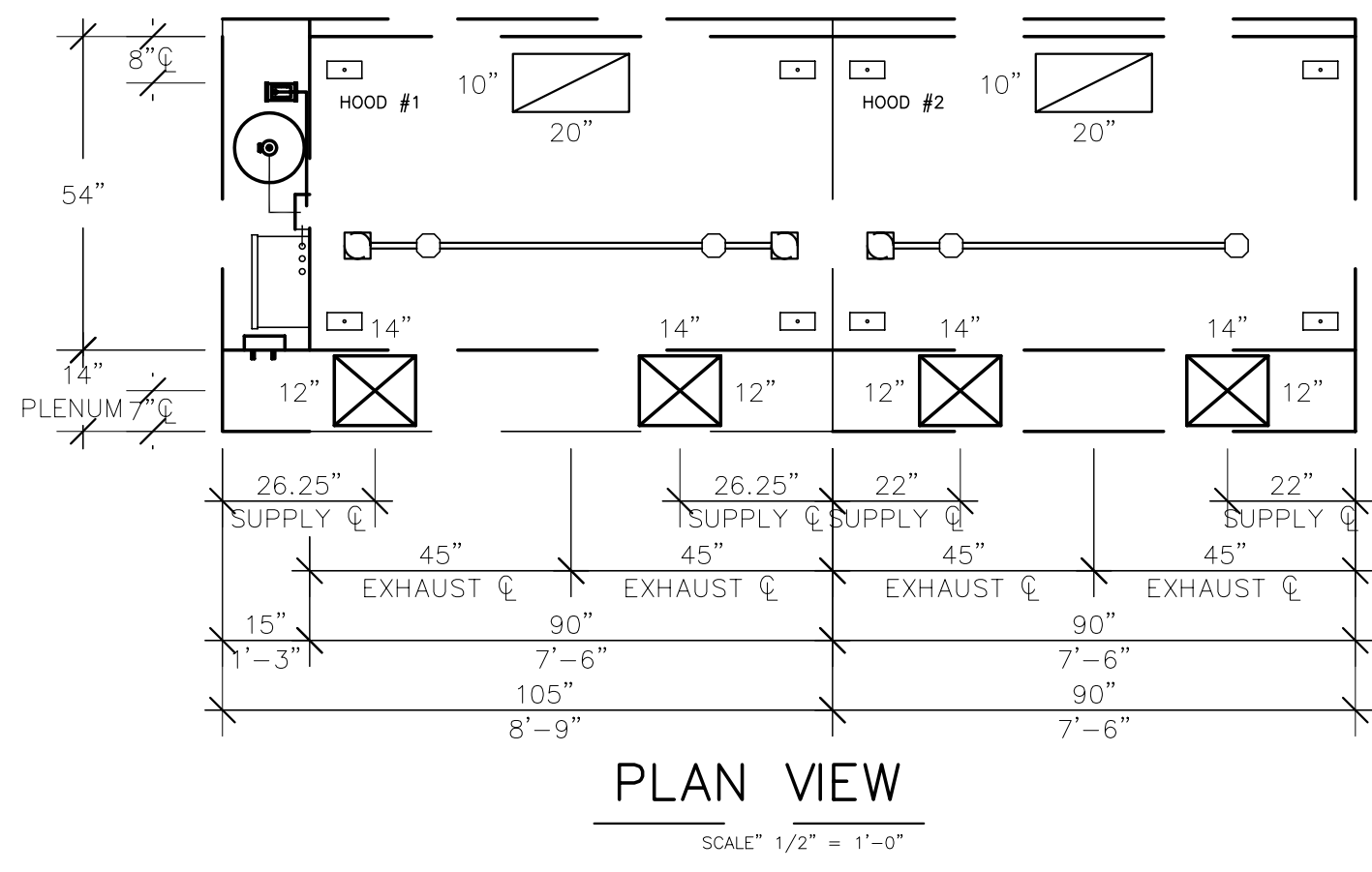
2

KITCHEN AIR BALANCE				
ITEM	EXH. FAN	UNCOND. O.A. CFM	FROM A/C CFM	TOTAL
HOOD EF	-4,200			-4,200
HOOD MAKE UP FAN		3,780		+3,780
BATH ROOM	-300			-300
A/C O/A			200	200
TOTAL	-4,500	+3,780	200	-520*

* THE BUILDING IS ON POSITIVE PRESSURE

3

BUILDING AIR BALANCE			
ITEM	EXH. FAN	FROM A/C CFM	TOTAL
KITCHEN	-520		-520
RTU #4		4,000	+4,000
TOTAL	-520	4,000	+3,480

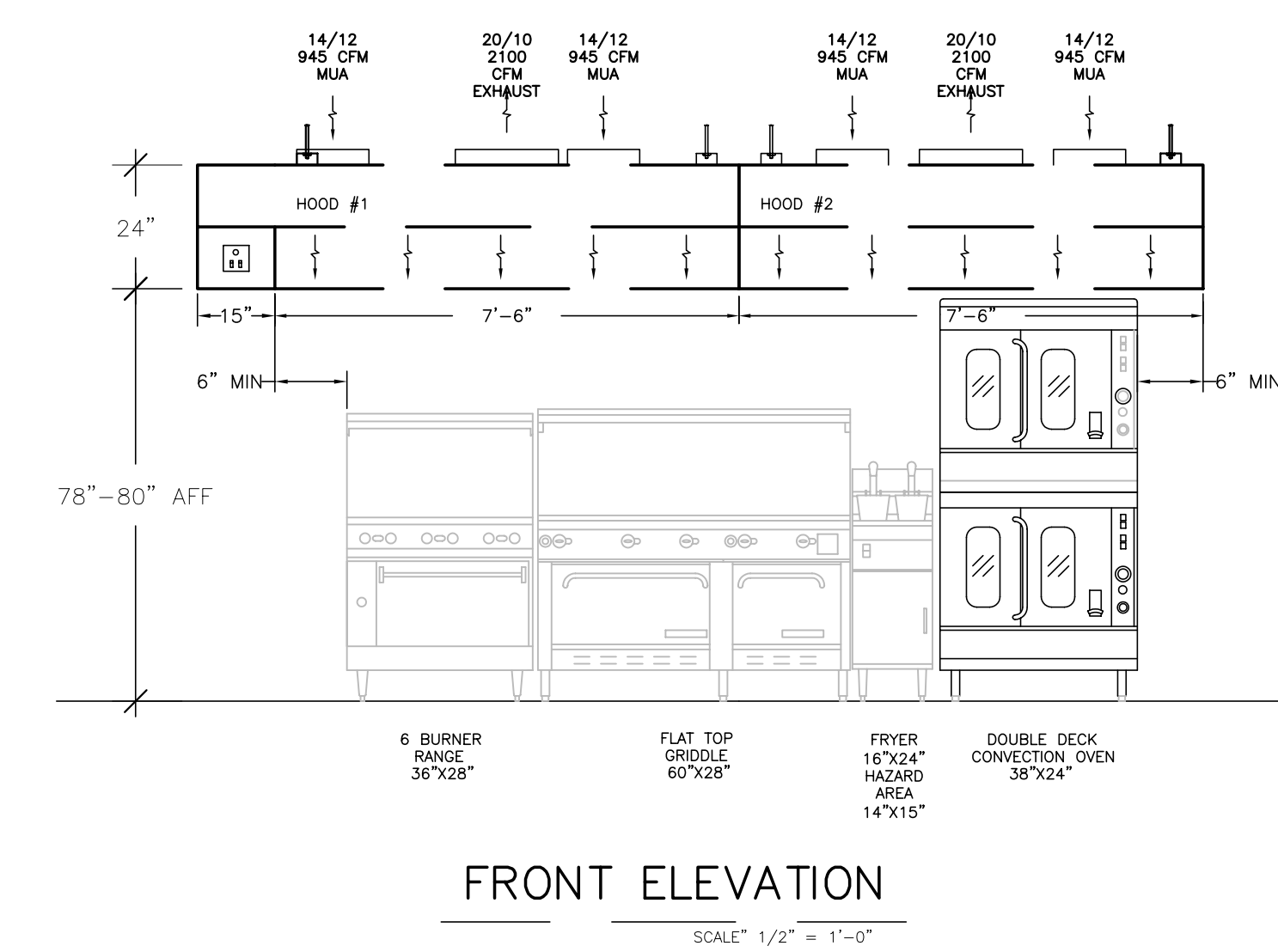
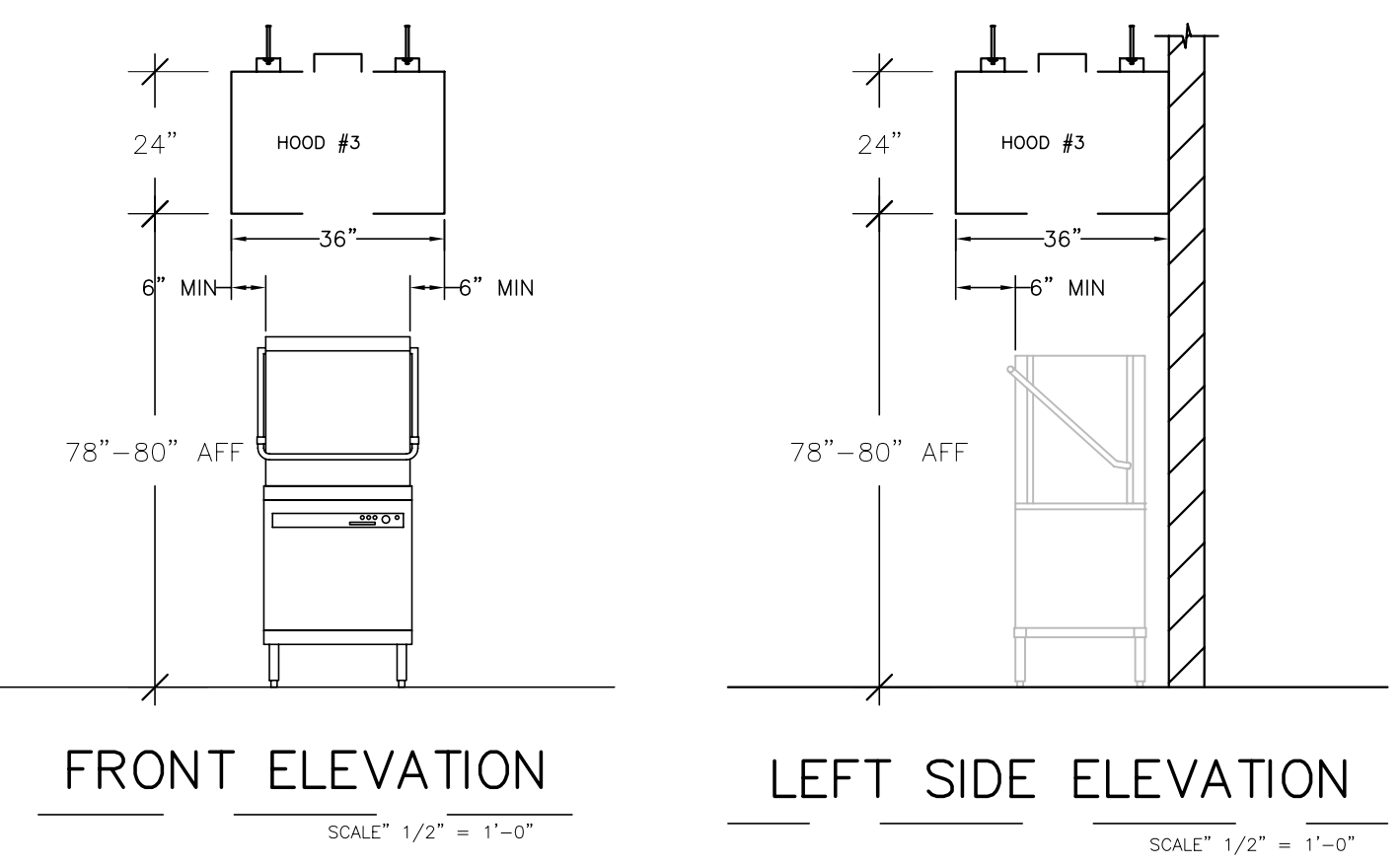


HOODS #1&2

GREASE DUCT VELOCITY SCHEDULE

DUCT AREA = L X W / 144 = SQ.FT.
DUCT VELOCITY = CFM DIVIDED BY DUCT AREA=FPM

DUCT AREA = 10 X 20 / 144 = 1.39 SQ.FT.
DUCT VELOCITY = 2100 / 1.39 = 1512 FPM



HOOD SYSTEM SHALL BE UL APPROVED TO BE SUPPLY BY HOOD DEPOT. CONTACT PERSON MICHAEL LUBOWICKI, TEL # 1-954-570-9860, 1-800-322-8730, EMAIL: Mlubowicki@hooddepot.net

FAN SCHEDULE

HOOD #	FANS	MFG.	MODEL #	CFM	S.P.	HP	VOLTAGE	RPM	AMPS
#1&2	EF-1	BREIDERT	TXB-18	4200	1"	1.5	115/1Ø	703	20.0
#3	EF-2	BREIDERT	DB-9	450	1/2"	1/4	115/1Ø	1146	5.8
#1&2	SF-1	BREIDERT	KSF-18	3780	1/2"	1.5	115/1Ø	577	20.0

HOODS #1&2

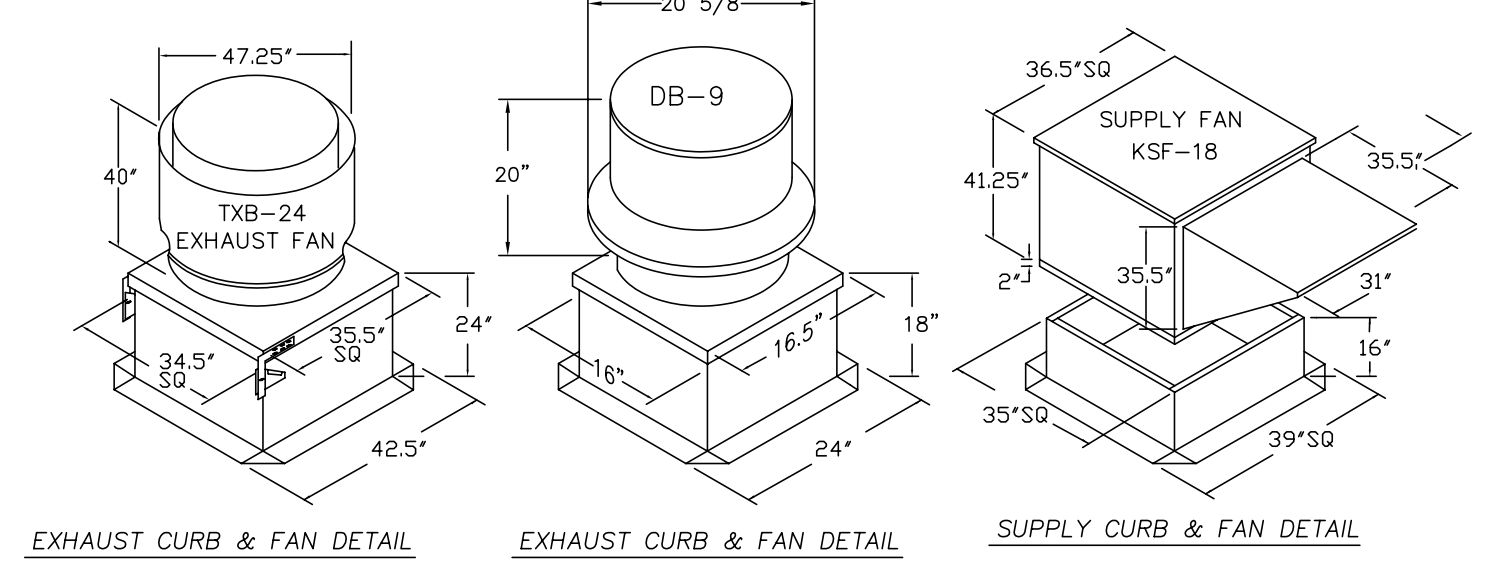
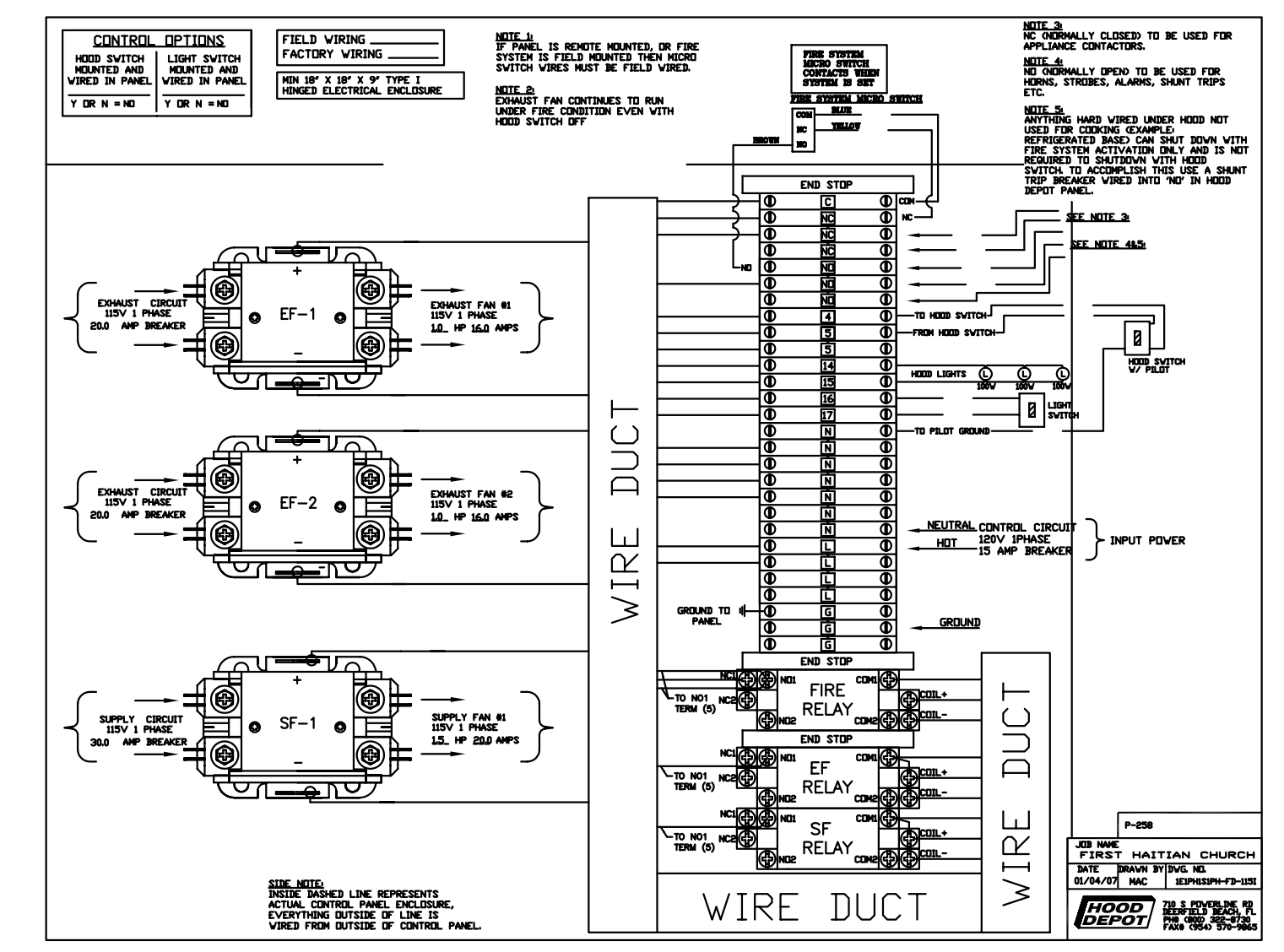
TYPE I HOOD		HOOD SCHEDULE					U.L. FILE MH18803		
MFG.	MODEL #	LENGTH	EXHAUST COLLAR		SUPPLY COLLAR		WGT		
			SIZE	S.P.	CFM	SIZE	S.P.	CFM	
HOOD DEPOT	SW	7'-6"	10" x 20"	5/8"	2100	(2) 12" x 14"	1/4"	1890	400
LIGHTS		FILTERS		UTILITY CABINET		SWITCHES		S/S	
QTY	TYPE	QTY	TYPE	SIZE	LOCATION	HOOD ON FIRE CABINET	LIGHT ON FIRE CABINET	EXPOSED	
2	INCANDESCENT	(3) 16" X 20" (2) 20" X 20"	ALUM	15"	LEFT				

HOOD #3

TYPE II HOOD		HOOD SCHEDULE							
MFG.	MODEL #	LENGTH	EXHAUST COLLAR		SUPPLY COLLAR		WGT		
			SIZE	S.P.	CFM	SIZE	S.P.	CFM	
HOOD DEPOT	SW	3'-0"	8" x 8"	1/2"	450	N/A	N/A	N/A	350

GENERAL NOTES:

- UL RANGE HOOD:**
MATERIAL: 18 GAUGE STAINLESS STEEL CONSTRUCTION ON EXPOSED SURFACES 18 GA. GALV. ON EXH. PLENUM ALL CONTINUOUS EXTERNAL LIQUID TIGHT WELDS, POLISHED. FILTERS UL CLASSIFIED BAFFLE TYPE, SET IN HOOD @ 45 DEGREE ANGLE, INCANDESCENT LIGHT FIXTURES UL LISTED FOR USE IN COMMERCIAL COOKING HOODS. GREASE TRAY BELOW FILTERS WITH REMOVE-ABLE GREASE CONTAINER, LIQUID VOLUME LESS THAN 1 QUART. ALL IN COMPLIANCE WITH NFPA #96 AND LOCAL BUILDING CODES.
- VAPOR HOOD:**
MATERIAL: 18 GAUGE STAINLESS STEEL CONSTRUCTION ALL CONTINUOUS EXTERNAL LIQUID TIGHT WELDS, POLISHED WITH FULL PERIMETER GUTTIER. ALL IN COMPLIANCE WITH NFPA #96 AND LOCAL BUILDING CODES.
- COMPLIANCE:**
SYSTEM TO BE MANUFACTURED IN STRICT ACCORDANCE WITH NFPA #96, LOCAL FIRE PREVENTION BUREAU MECH. AND HEALTH DEPT. STANDARDS
- HOOD SYSTEM SHALL BE INSTALLED TO AUTOMATICALLY ACTIVATE THE EXHAUST FAN WHENEVER COOKING OPERATION OCCUR. THE ACTIVATION OF THE EXHAUST FAN SHALL OCCUR THROUGH AN INTERLOCK WITH THE COOKING APPLIANCES BY MEANS OF HEAT SENSORS OR BY MEANS OF OTHER APPROVED METHODS (FBC 507.2.1.1)**



HOOD DEPOT

710 SOUTH POWERLINE ROAD
DEERFIELD BEACH, FL 33442
E-MAIL: HOODDEPOT@AOL.COM

CHIEF ENGINEER
JOSEPH POTTS, P.E.
PH# 800-322-8730
LICENSE # 22656

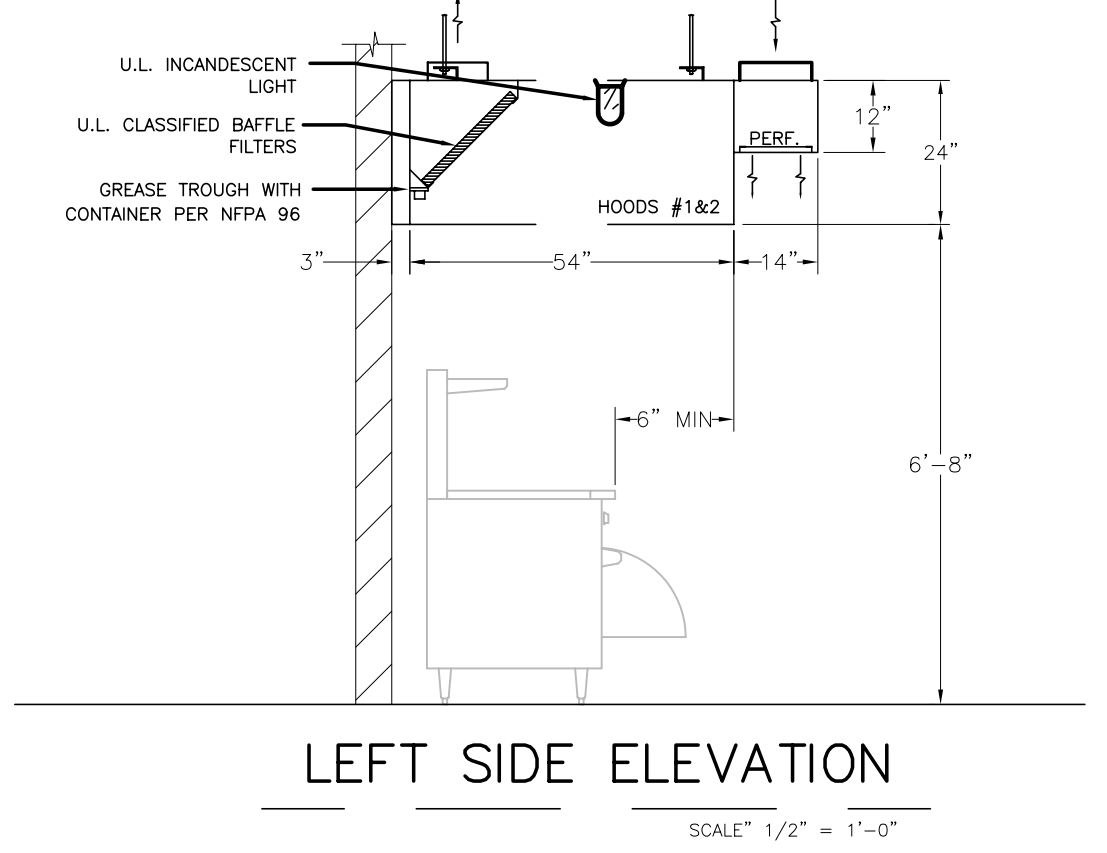
NUMBER	REVISIONS DESCRIPTION	DATE

L.I.M. DESIGN INC.
4925 COLLINS AVE. #7-D MIAMI BEACH, FL

JOB NAME: **FIRST HAITIAN CHURCH** P-258

SCALE: NOTED DRAWN BY: M.C. CHECK BY: R.Z. DATE: 06/10/09

TITLE: **MECHANICAL HOOD DRAWING** 1 OF 2



RAMOSMARTINEZ
ARCHITECTS
NEW YORK
NEWARK
JERSEY CITY, NJ 07302
TELEPHONE: 908-548-5009
FACSIMILE: 908-548-5030
WWW.RAMOSMARTINEZ.COM
MIAMI
13th AVENUE
MIAMI, FL 33135

First Haitian Free Church of Nazarene by Faith
IN
ORLANDO FLORIDA

FIRST HAITIAN FREE CHURCH OF NAZARENE

308 SOUTH ORANGE BLOSSOM TRAIL
ORLANDO, FLORIDA

REVISIONS:

- BLDG DEPT COMM 03-26-09
- BLDG DEPT COMM 08-31-09
- BLDG DEPT COMM 11-09-09

COMM. NO. 08-03
DATE:
DRAWN BY:
CHECKED BY:

DANIEL F. GUTIERREZ, P.E.
LIC. #049086

7328 SW 82 ST B-214
MIAMI FL 33143
PH: (786) 499-4167
FAX: (305) 667-5262
CELL: 786-499-4167

DESIGN - INSPECTIONS

2
1
M-5
5 OF 6