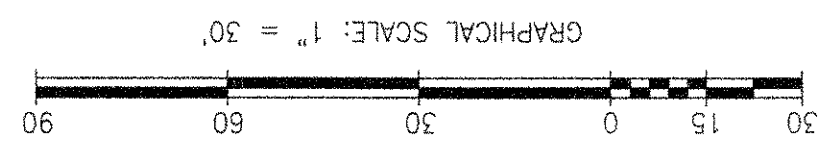
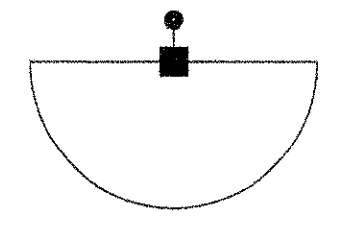
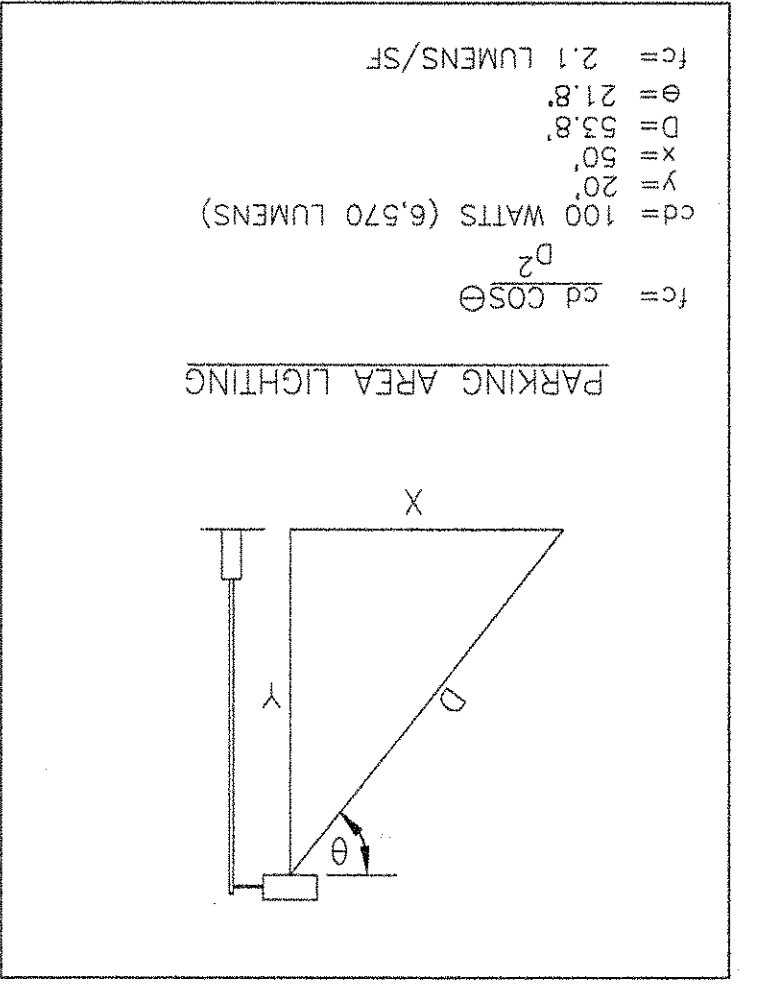
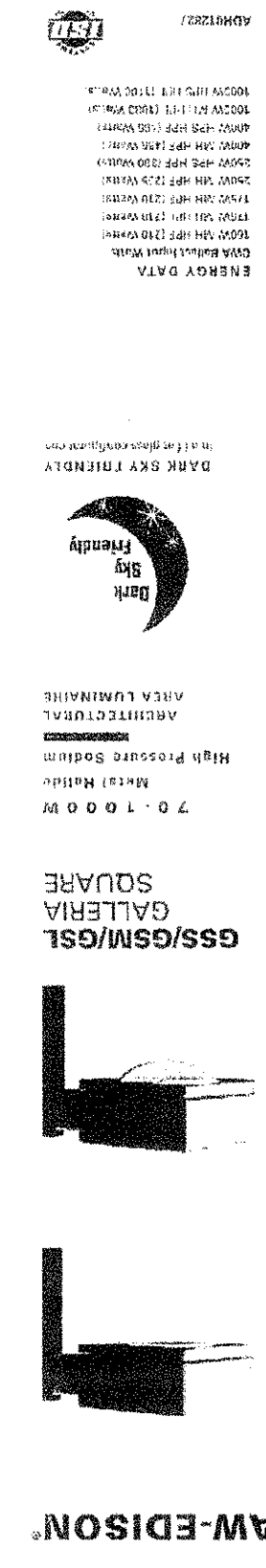
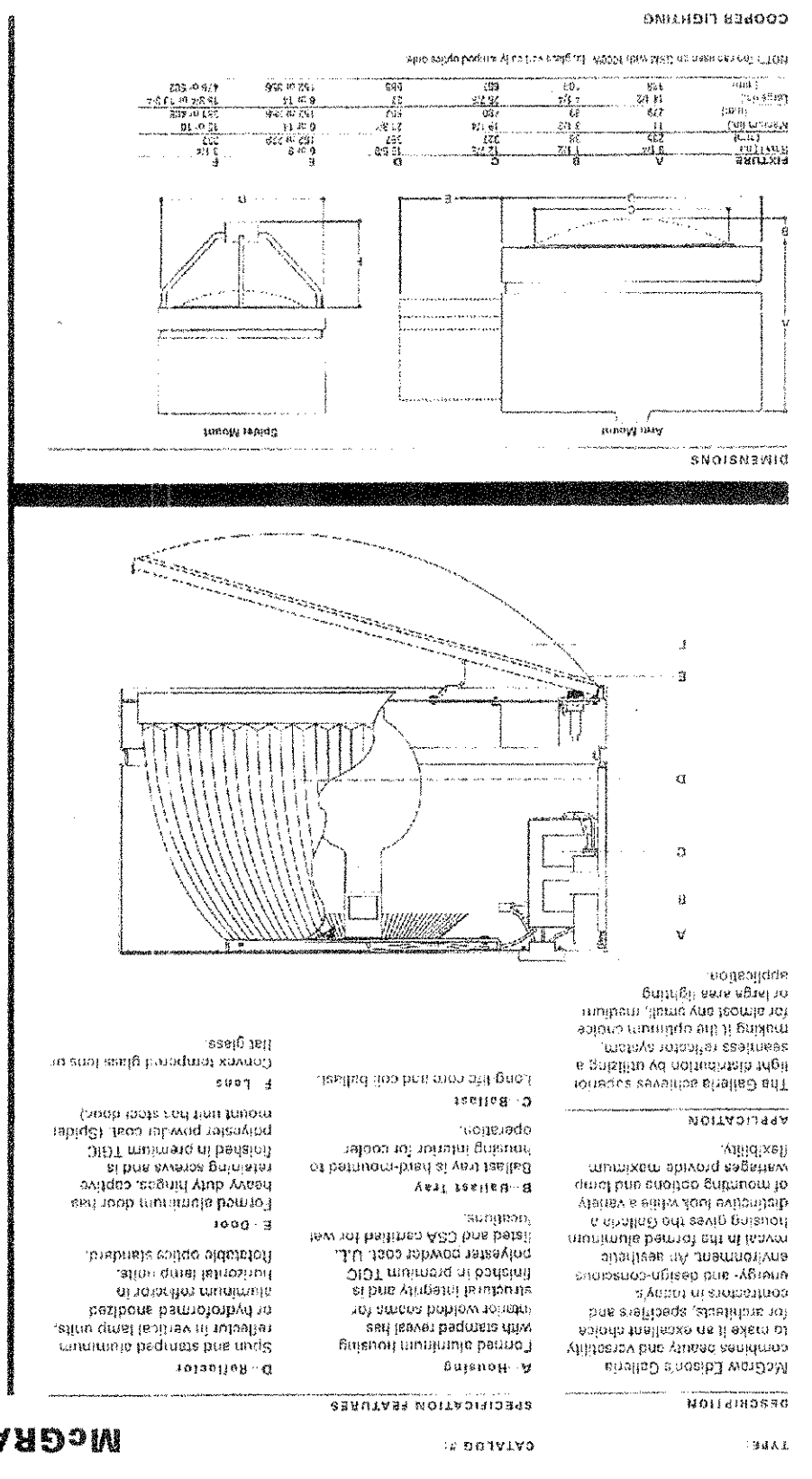


THIS SHEET FOR LIGHTING PURPOSES ONLY!



- NOTES:
1. SEE ARCHITECTURALS FOR BUILDING MOUNTED LIGHT DETAILS.
 2. PROPOSED PARKING LIGHTING FIXTURES TO MATCH BUILDING MOUNTED LIGHTS OR SHALL BE EQUIVALENT IN DESIGN.
 3. POLE MOUNTED LIGHTS SHALL BE INSTALLED BEHIND FACE OF CURB OR SIDEWALK, 18" FROM CURB FACE OR EDGE OF SIDEWALK TO FACE OF CONCRETE POLE BASE.
 4. FOLLOW MANUFACTURER'S RECOMMENDATIONS FOR POLE AND LIGHTING INSTALLATION.
 5. SEE ELECTRICAL PLANS FOR CONDUIT ROUTING, WIRING SPECIFICATIONS AND POWER SOURCE.



CAUTION - NOTICE TO CONTRACTOR

THE CONTRACTOR IS SPECIFICALLY CAUTIONED THAT THE LOCATION AND/OR ELEVATION OF EXISTING UTILITIES AS SHOWN ON THESE PLANS IS BASED ON RECORDS OF THE VARIOUS UTILITY COMPANIES AND, WHERE POSSIBLE, MESSAGES TAKEN IN THE FIELD. THE CONTRACTOR IS NOT TO BE RELIED ON AS BEING EXACT OR COMPLETE. THE CONTRACTOR MUST CALL THE APPROPRIATE UTILITY COMPANY AT LEAST 48 HOURS BEFORE ANY EXCAVATION TO REQUEST EXACT FIELD LOCATION OF UTILITIES. IT SHALL BE THE RESPONSIBILITY OF THE CONTRACTOR TO RELOCATE ALL EXISTING UTILITIES PRIOR TO COMMENCEMENT OF CONSTRUCTION ACTIVITIES.

PROJECT NAME: **M.N.C.P.R.C. APPROVALS**

FILE No. MDPG-19D09-01 SHEET 1 OF 1	PROJECT: LIGHTING PLAN BETH SHALOM AME ZION CHURCH 6TH ELECTON DISTRICT PRINCE GEORGE'S COUNTY, MARYLAND
DATE: AUGUST 2007 SCALE: 1"=30' DRAWING NAME: 19D09-1CP-REV	PROJECT NUMBER: M.N.C.P.R.C. APPROVALS
	DATE: AUGUST 2007 SCALE: 1"=30' DRAWING NAME: 19D09-1CP-REV
<p>WE Inc.</p> Williams Enterprises Incorporated 18 Mosby Lane Stafford, Virginia 22556 540-286-3710 and 540-286-0345 Fax weinfo@hughes.net	
<p>WARDER</p> Your Church Builder Phone: (301) 868-5900 Toll Free: (800) 732-7266 Fax: (301) 868-5740 www.wardergroup.com	
REVISIONS:	

