



BUILDING CODE COMPLIANCE OFFICE (BCCO)  
PRODUCT CONTROL DIVISION

MIAMI-DADE COUNTY, FLORIDA  
METRO-DADE FLAGLER BUILDING  
140 WEST FLAGLER STREET, SUITE 1603  
MIAMI, FLORIDA 33130-1563  
(305) 375-2901 FAX (305) 375-2908

**NOTICE OF ACCEPTANCE (NOA)**

[www.buildingcodeonline.com](http://www.buildingcodeonline.com)

**Pittsburgh Corning Corporation**  
800 Presque Isle Drive  
Pittsburgh, PA 15239

**SCOPE:**

This NOA is being issued under the applicable rules and regulations governing the use of construction materials. The documentation submitted has been reviewed by Miami-Dade County Product Control Division and accepted by the Board of Rules and Appeals (BORA) to be used in Miami Dade County and other areas where allowed by the Authority Having Jurisdiction (AHJ).

This NOA shall not be valid after the expiration date stated below. The Miami-Dade County Product Control Division (In Miami Dade County) and/or the AHJ (in areas other than Miami Dade County) reserve the right to have this product or material tested for quality assurance purposes. If this product or material fails to perform in the accepted manner, the manufacturer will incur the expense of such testing and the AHJ may immediately revoke, modify, or suspend the use of such product or material within their jurisdiction. BORA reserves the right to revoke this acceptance, if it is determined by Miami-Dade County Product Control Division that this product or material fails to meet the requirements of the applicable building code.

This product is approved as described herein, and has been designed to comply with the Florida Building Code, including the High Velocity Hurricane Zone.

**DESCRIPTION:** Series "2" LightWise® Aluminum Clad Wood Glass Block Window

**APPROVAL DOCUMENT:** Drawing No. 2LWACW-1 through 2LWACW-3, titled "2" Lightwise Aluminum Clad Wood Window", sheets 1 through 3 of 3, prepared by Pittsburgh Corning Corp.", dated 10/14/05, signed and sealed by Carol D. Hays, P.E., bearing the Miami-Dade County Product Control Approval stamp with the Notice of Acceptance number and approval date by the Miami-Dade County Product Control Division.

**MISSILE IMPACT RATING:** None

**LABELING:** Each unit shall bear a permanent label with the manufacturer's name or logo, city, state and following statement: "Miami-Dade County Product Control Approved", unless otherwise noted herein.

**RENEWAL** of this NOA shall be considered after a renewal application has been filed and there has been no change in the applicable building code negatively affecting the performance of this product.

**TERMINATION** of this NOA will occur after the expiration date or if there has been a revision or change in the materials, use, and/or manufacture of the product or process. Misuse of this NOA as an endorsement of any product, for sales, advertising or any other purposes shall automatically terminate this NOA. Failure to comply with any section of this NOA shall be cause for termination and removal of NOA.

**ADVERTISEMENT:** The NOA number preceded by the words Miami-Dade County, Florida, and followed by the expiration date may be displayed in advertising literature. If any portion of the NOA is displayed, then it shall be done in its entirety.

**INSPECTION:** A copy of this entire NOA shall be provided to the user by the manufacturer or its distributors and shall be available for inspection at the job site at the request of the Building Official.

This NOA consists of this page 1 and evidence pages E-1, as well as the approval document mentioned above. The submitted documentation was reviewed by **Jaime D. Gascon, P.E.**



*J. Gascon*  
7/24/06

NOA No 05-1107.02  
Expiration Date: August 17, 2011  
Approval Date: August 17, 2006  
Page 1

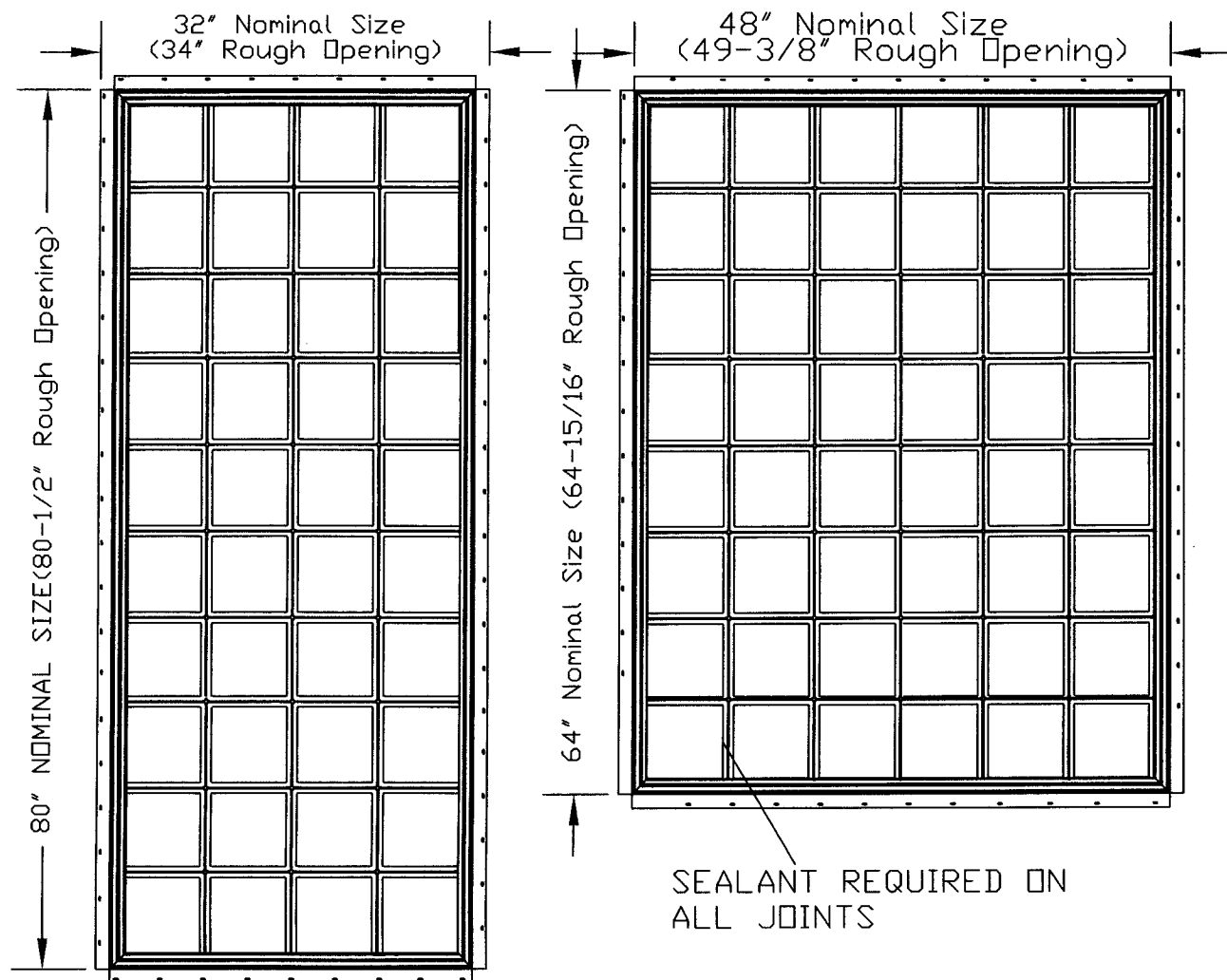
Pittsburgh Corning Corporation

NOTICE OF ACCEPTANCE: EVIDENCE SUBMITTED

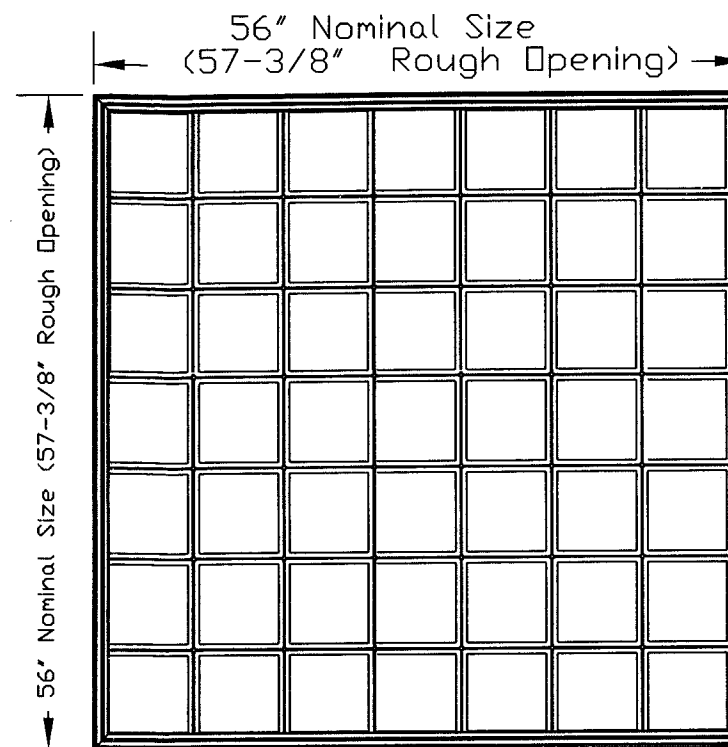
- A. **DRAWINGS**
1. Manufacturer's die drawings and sections.
  2. Drawing No. **2LWACW-1 through 2LWACW-3**, titled "2" Lightwise Aluminum Clad Wood Window", sheets 1 through 3 of 3, prepared by Pittsburgh Corning Corp.", dated 10/14/05, signed and sealed by Carol D. Hays, P.E.
- B. **TESTS**
1. Test reports on  
1) Air Infiltration Test, per FBC, TAS 202-94  
2) Uniform Static Air Pressure Test, Loading per FBC, TAS 202-94  
3) Water Resistance Test, per FBC, TAS 202-94  
along with marked-up drawings and installation diagram of an aluminum clad wood glass block window single, prepared by Architectural Testing, Test Report No. **ATI-55003.01-122-18**, dated 07/07/058, signed and sealed by Steven M. Urich, P.E.
- C. **CALCULATIONS**
1. None
- D. **QUALITY ASSURANCE**
1. Miami Dade Building Code Compliance Office (BCCO).
- E. **MATERIAL CERTIFICATIONS**
1. None
- F. **STATEMENTS**
1. Statement letter of compliance, dated 11/04/05, signed and sealed by Carol D. Hays, P.E.
  2. Statement letter of no financial interest, dated October 14, 2005, signed and sealed by Nicolas T. Loomis, P.E.



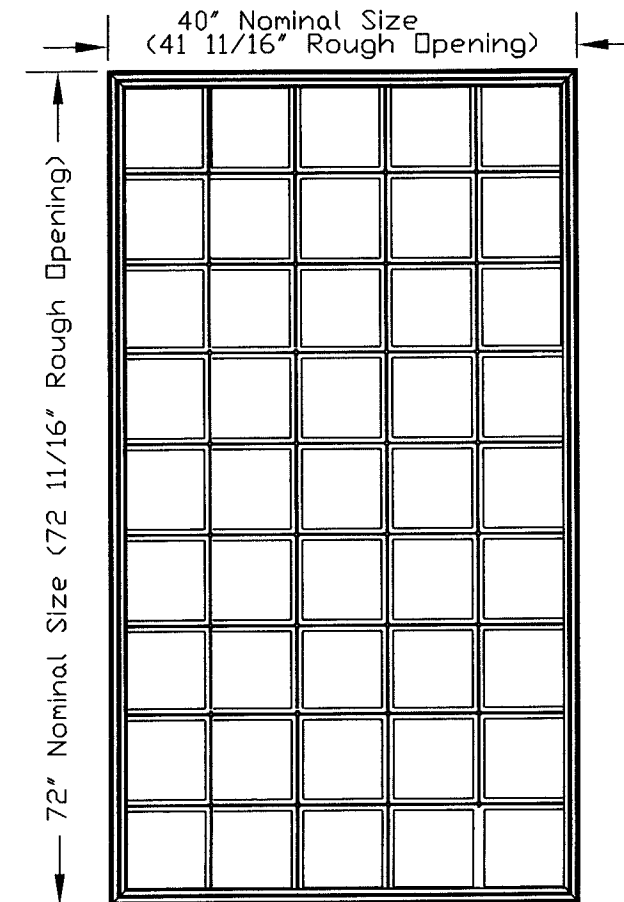
Jaime D. Gascon, P.E.  
Chief, Building Code Compliance Office  
NOA No 05-1107.02  
Expiration Date: August 17, 2011  
Approval Date: August 17, 2006



SEALANT REQUIRED ON ALL JOINTS



**NON IMPACT RESISTANT**  
**DESIGN PRESSURE RATING**  
**+/- 90.0 PSF**



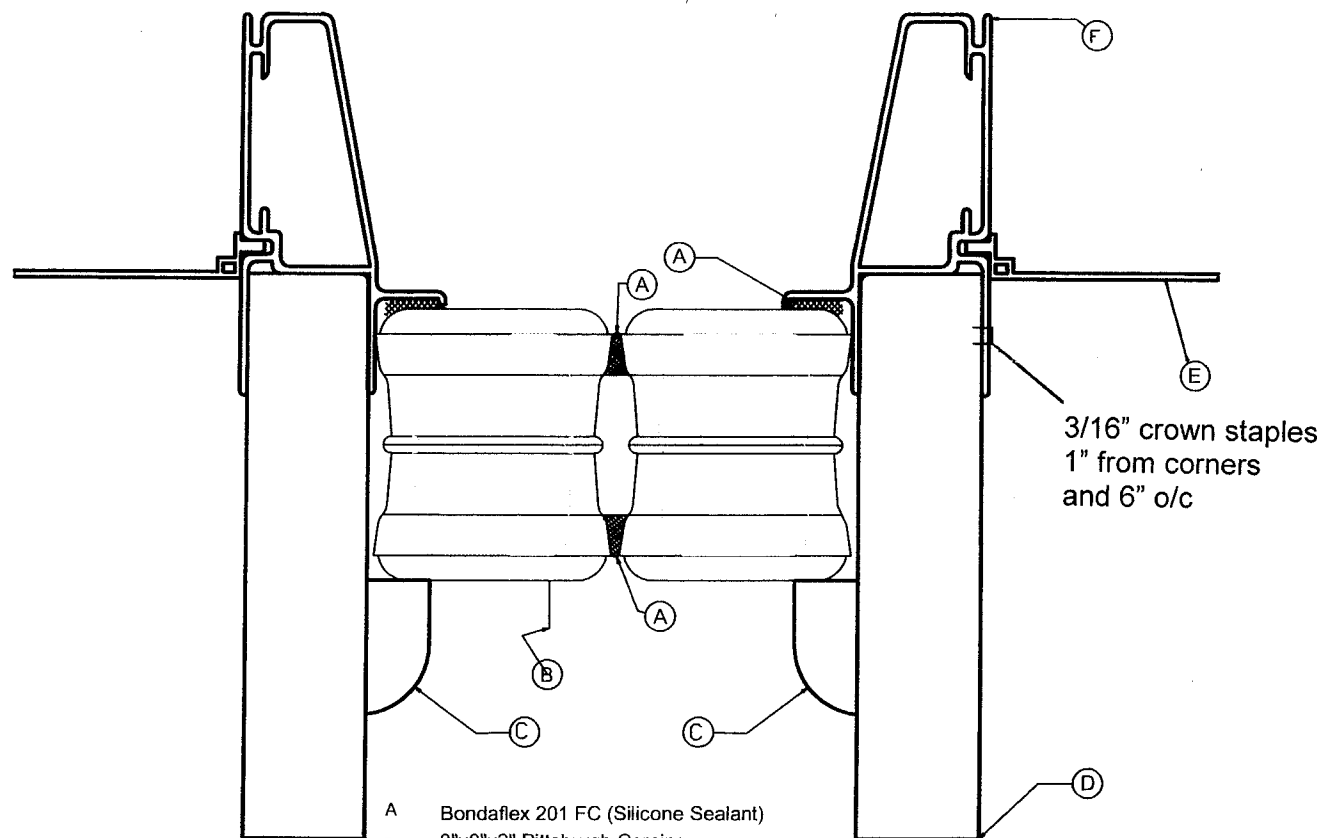
**SPECIFICATIONS:**

- **GLASS BLOCK UNITS:** 8" x 8" x 2" (nominal size) DECORA® pattern (glass block used) or IceScapes® pattern.
- **FRAME:** Extruded Aluminum Clad Wood Framed (ponderosa pine) Window. Frame corners are mitered and mechanically fastened with (2) #8 x 1 1/4" screws on wood frame & (2) #6 x 1/2" sheet metal screws on aluminum frame. (Aluminum cladding is powder coated.)
- **WINDOW SIZES:** See sizing chart for nominal and rough opening dimensions.
- **FRAMING SEALANT:** Silicone type. Apply a bead of sealant between nailing fin and framing before nailing (new construction). **NAILING FIN TO BE USED FOR ALIGNMENT PURPOSES ONLY, NOT FOR STRUCTURAL SUPPORT.**
- **JOINT SEALANT:** Bondaflex 201 FC or equivalent for perimeter and glass block joints.
- **ANCHORAGE:** Secure nailing fin with #11 gauge x 1 3/4" long roofing nails with 3/8" diameter heads, 3" in from all corners and 12" on center maximum spacing. Secure window unit from the inside with a #8 x 2 1/2" nail or longer. Be sure to keep nail within 1/2" of wood stop to ensure proper penetration of the 2 x \_\_\_ framing. Nailing should start within 1" from each corner and spaced no more than 8" on center. (Be sure to penetrate shims with finishing nails and not let them slide out of position.) All nails should be driven perpendicular to the frame.
- **SHIM SPACES:** Shim spaces to be no more than 3/8" per side. See anchorage above for spacing.

Approved as complying with the  
 Florida Building Code  
 Date 08/17/06  
 NOA 05-1107-02  
 Miami Dade Product Control  
 Division  
 By *[Signature]*

*Charles J. Hays*  
 PE 36806  
 7/20/06

2" LightWise Aluminum Clad Wood Window Details			
Design: R.A.F.	10-14-05	Pittsburgh Corning Corp. 800 Presque Isle Dr Pittsburgh, PA 15239	SHEET: 1 of 3 DWG. NO. 2LWACW-1
Drawn: R.A.F.			
Check: N.T.L.	10-14-05		



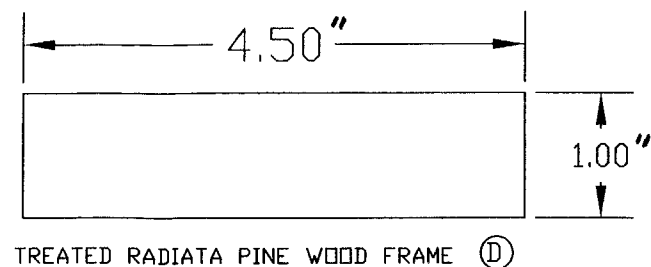
- A Bondaflex 201 FC (Silicone Sealant)
- B 8"x8"x2" Pittsburgh Corning Glass Block
- C Radiata Pine Wood Stop (secured with 1" long brad nails - 1" from each corner and 12" on center).
- D Treated Radiata Pine Wood Frame
- E Nailing Fin (Regrind PVC, Flexible PVC, Polyurethane Hinge)
- F Aluminum Frame (secured with  $\frac{3}{16}$ " crown staples - 1" from each corner and 6" on center).

**2" GLASS BLOCK FRAME LAYOUT**

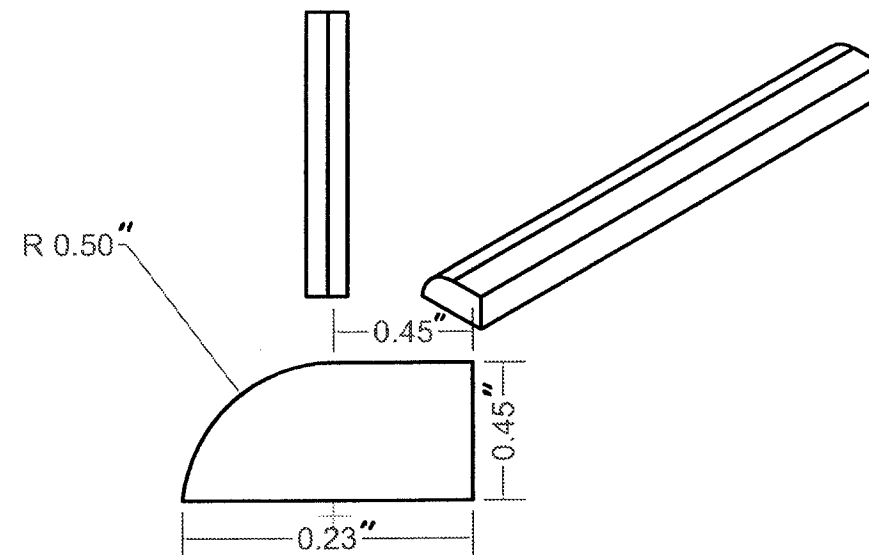
**LightWise® Aluminum Clad Wood Windows Sizing Chart**

*Nominal Glass Block Panel Size	**Required Rough Opening Size (width x height)	*Nominal Glass Block Panel Size	**Required Rough Opening Size (width x height)	*Nominal Glass Block Panel Size	**Required Rough Opening Size (width x height)
16" x 16"	18 1/2" x 18 1/2"	32" x 32"	34" x 34"	48" x 56"	49 3/8" x 57 3/8"
16" x 24"	18 1/2" x 26 1/4"	32" x 40"	34" x 41 11/16"	48" x 64"	49 3/8" x 64 15/16"
16" x 32"	18 1/2" x 34"	32" x 48"	34" x 49 3/8"	56" x 16"	57 3/8" x 18 1/2"
16" x 40"	18 1/2" x 41 11/16"	32" x 56"	34" x 57 3/8"	56" x 24"	57 3/8" x 26 1/4"
16" x 48"	18 1/2" x 49 3/8"	32" x 64"	34" x 64 15/16"	56" x 32"	57 3/8" x 34"
16" x 56"	18 1/2" x 57 3/8"	32" x 72"	34" x 72 11/16"	56" x 40"	57 3/8" x 41 11/16"
16" x 64"	18 1/2" x 64 15/16"	32" x 80"	34" x 80 1/2"	56" x 48"	57 3/8" x 49 3/8"
16" x 72"	18 1/2" x 72 11/16"	40" x 16"	41 11/16" x 18 1/2"	56" x 56"	57 3/8" x 57 3/8"
16" x 80"	18 1/2" x 80 1/2"	40" x 24"	41 11/16" x 26 1/4"	64" x 16"	64 15/16" x 18 1/2"
24" x 16"	26 1/4" x 18 1/2"	40" x 32"	41 11/16" x 34"	64" x 24"	64 15/16" x 26 1/4"
24" x 24"	26 1/4" x 26 1/4"	40" x 40"	41 11/16" x 41 11/16"	64" x 32"	64 15/16" x 34"
24" x 32"	26 1/4" x 34"	40" x 48"	41 11/16" x 49 3/8"	64" x 40"	64 15/16" x 41 11/16"
24" x 40"	26 1/4" x 41 11/16"	40" x 56"	41 11/16" x 57 3/8"	64" x 48"	64 15/16" x 49 3/8"
24" x 48"	26 1/4" x 49 3/8"	40" x 64"	41 11/16" x 64 15/16"	72" x 16"	72 11/16" x 18 1/2"
24" x 56"	26 1/4" x 57 3/8"	40" x 72"	41 11/16" x 72 11/16"	72" x 24"	72 11/16" x 26 1/4"
24" x 64"	26 1/4" x 64 15/16"	48" x 16"	49 3/8" x 18 1/2"	72" x 32"	72 11/16" x 34"
24" x 72"	26 1/4" x 72 11/16"	48" x 24"	49 3/8" x 26 1/4"	72" x 40"	72 11/16" x 41 11/16"
24" x 80"	26 1/4" x 80 1/2"	48" x 32"	49 3/8" x 34"	80" x 16"	80 1/2" x 18 1/2"
32" x 16"	34" x 18 1/2"	48" x 40"	49 3/8" x 41 11/16"	80" x 24"	80 1/2" x 26 1/4"
32" x 24"	34" x 26 1/4"	48" x 48"	49 3/8" x 49 3/8"	80" x 32"	80 1/2" x 34"

NOTES: \*Based on 8" x 8" nominal sized glass block. \*\*Rough Opening = Actual Size + 3/4"

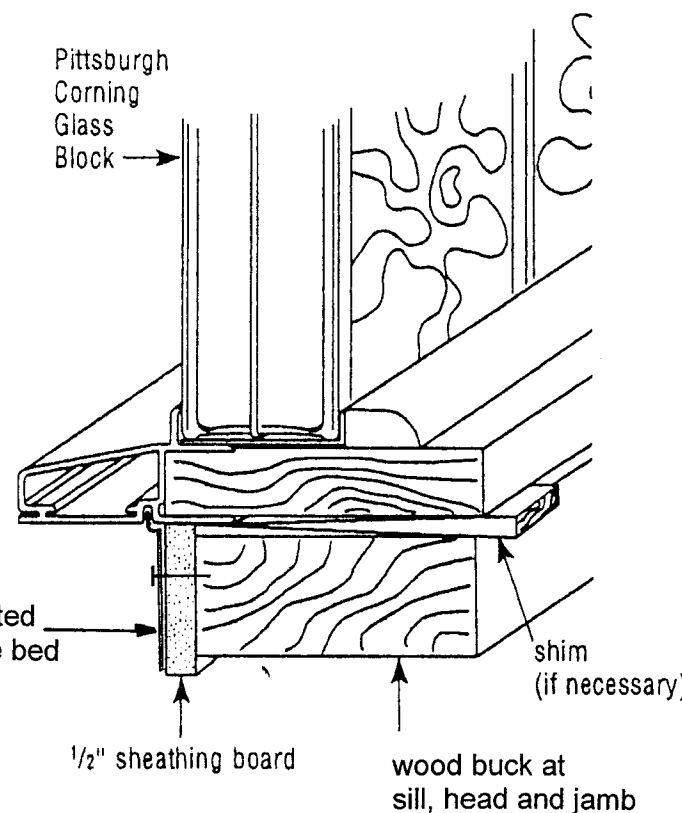


**WOOD FRAME**

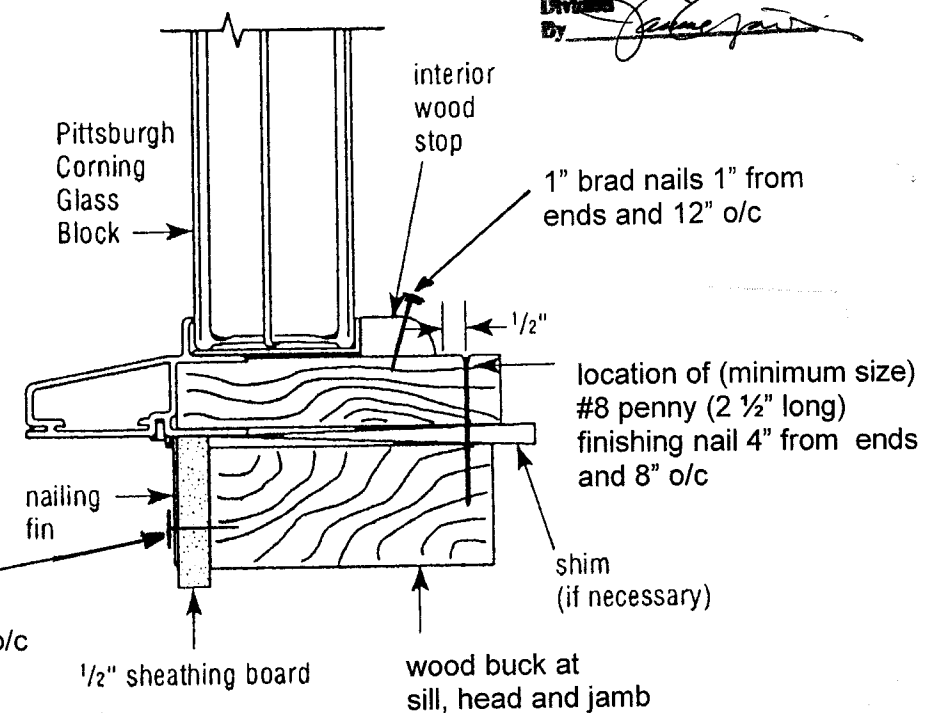


WOOD STOP Treated Radiata Pine

**WOOD GLAZING BEADS**



**TYPICAL DETAIL OF ALL SIDES**



Approved as complying with the Florida Building Code  
 Date 08/17/06  
 RFA 05-1107.02  
 Material Product Control Division  
 By [Signature]

*Check & Sign  
 PE 36806  
 7/20/06*

2" LightWise Aluminum Clad Wood Window Details		
Design: R.A.F.	10-14-05	Pittsburgh Corning Corp. 800 Presque Isle Dr Pittsburgh, PA 15239
Drawn: R.A.F.		
Check: N.T.L.	10-14-05	
		SHEET: 2 OF 3
		DWG. NO. 2LWACW-2

