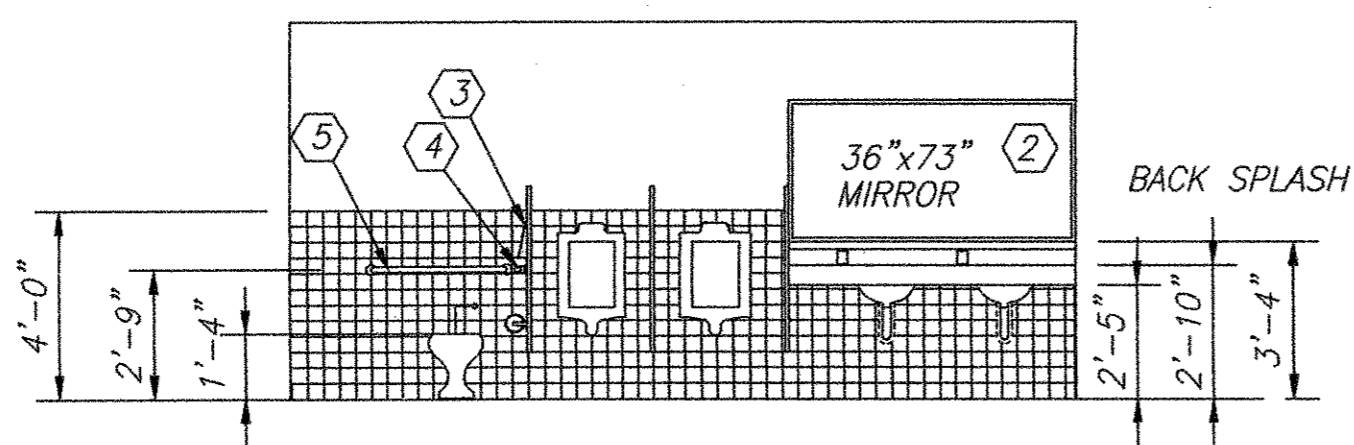
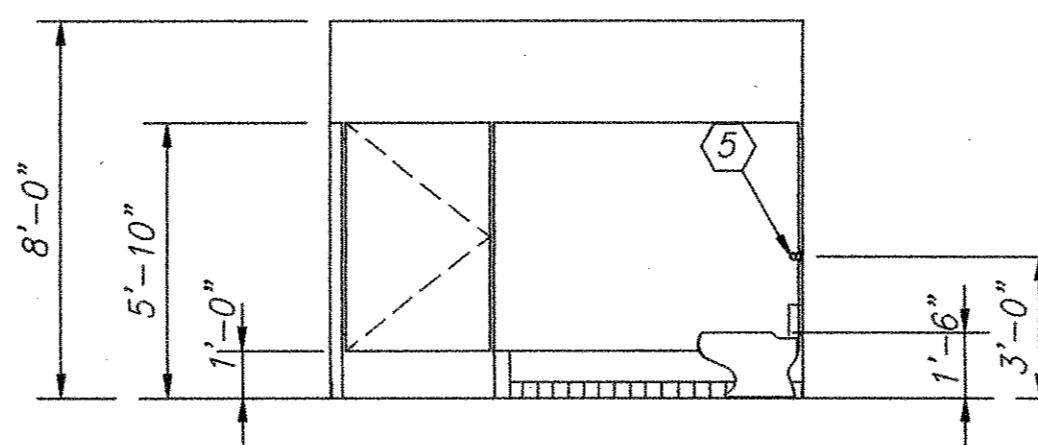


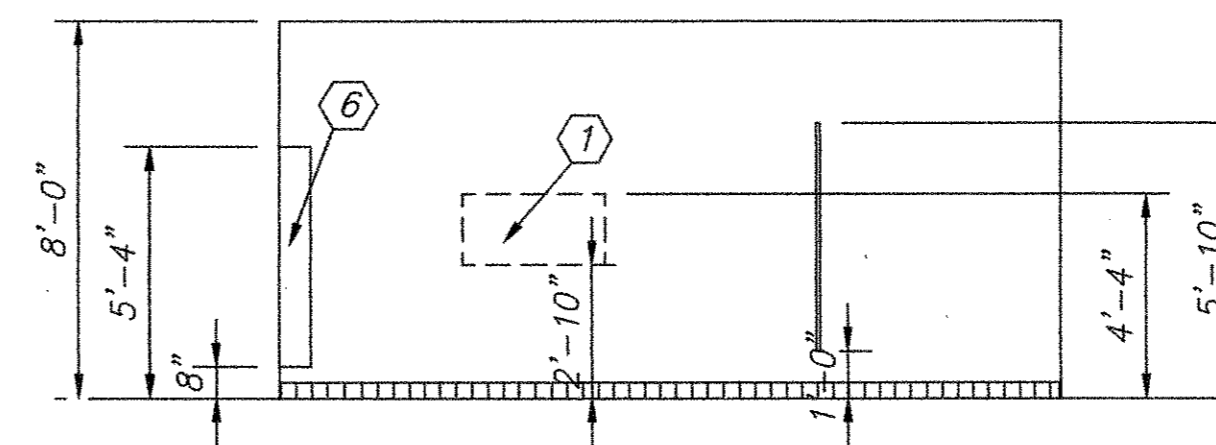
TOILETROOM ELEVATION 1 & 5  
SCALE: 1/4"=1'-0"  
NOTE: ELEVATION 5 OPPOSITE HAND



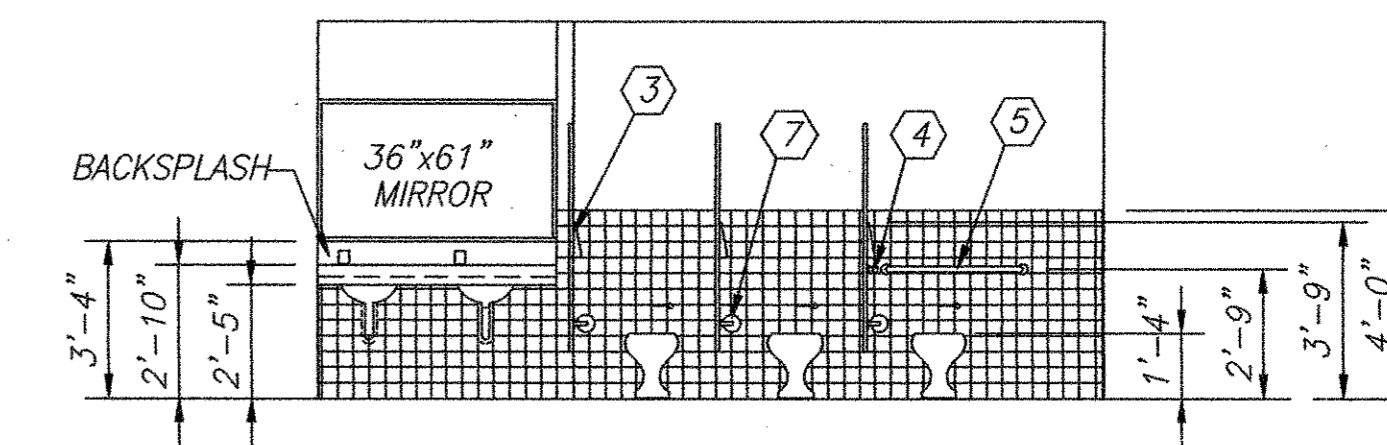
TOILETROOM ELEVATION 2  
SCALE: 1/4"=1'-0"



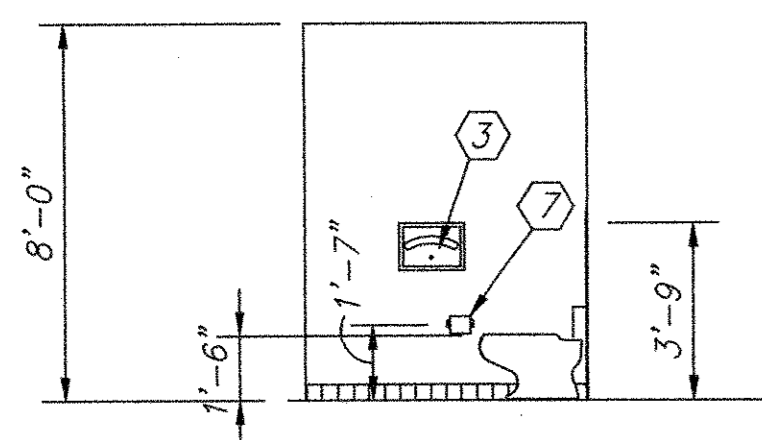
TOILETROOM ELEVATION 3 & 7  
SCALE: 1/4"=1'-0"  
NOTE: ELEVATION 7 OPPOSITE HAND



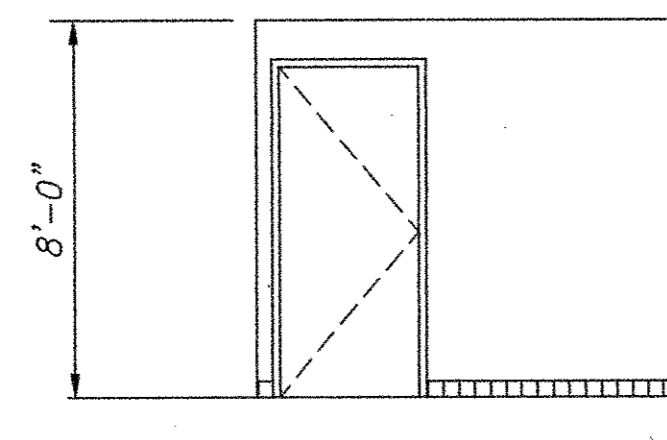
TOILETROOM ELEVATION 4 & 6  
SCALE: 1/4"=1'-0"  
NOTE: ELEVATION 6 OPPOSITE HAND



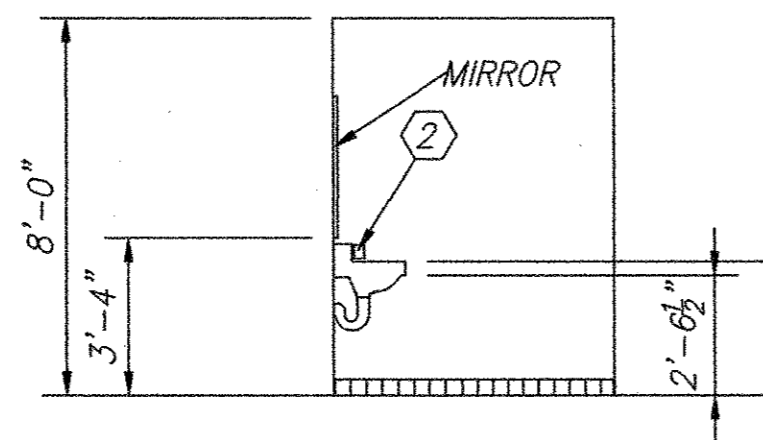
TOILETROOM ELEVATION 8  
SCALE: 1/4"=1'-0"



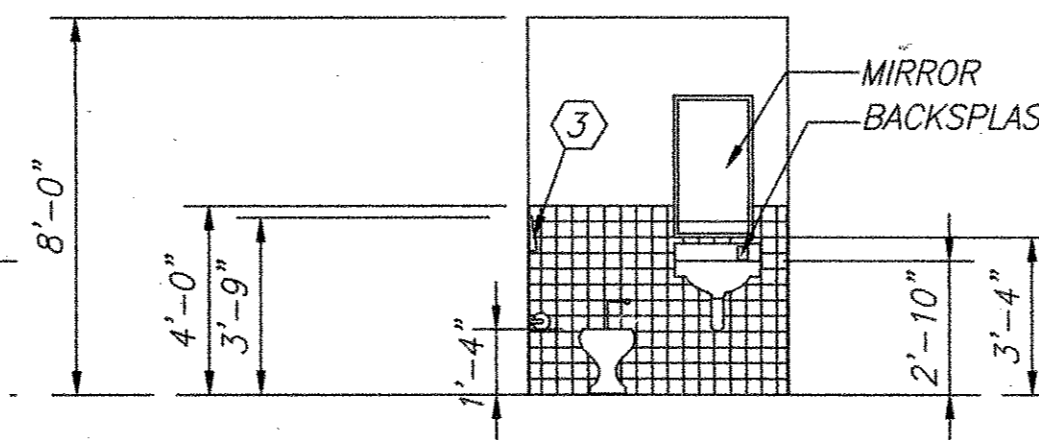
TOILETROOM ELEVATION 9  
SCALE: 1/4"=1'-0"



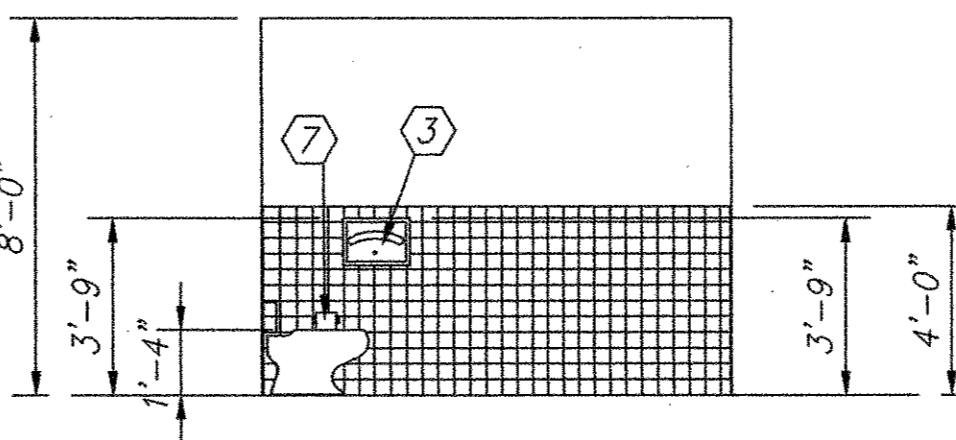
TOILETROOM ELEVATION 10  
SCALE: 1/4"=1'-0"



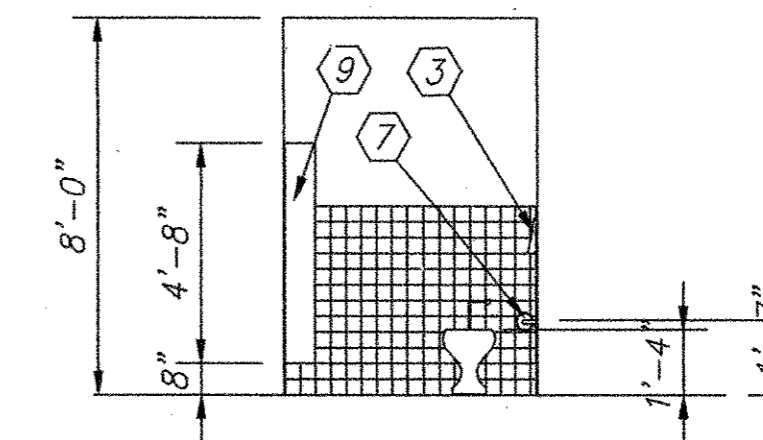
TOILETROOM ELEVATION 11  
SCALE: 1/4"=1'-0"



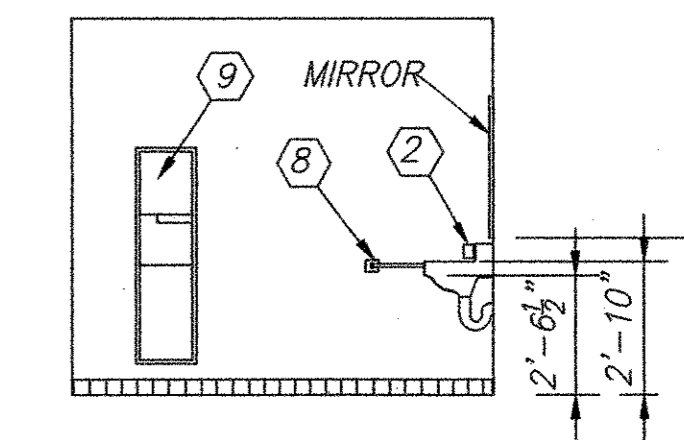
TOILETROOM ELEVATION 12  
SCALE: 1/4"=1'-0"



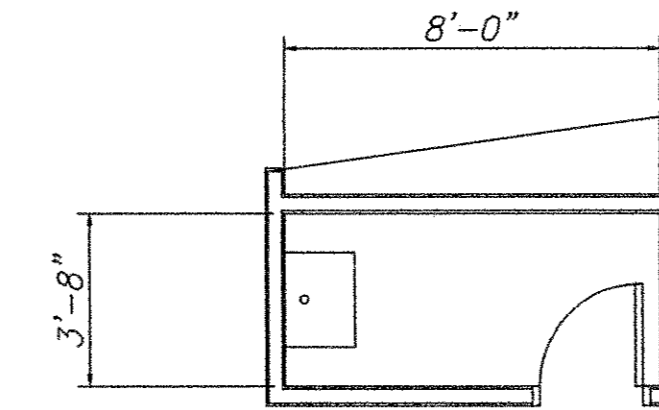
TOILETROOM ELEVATION 13  
SCALE: 1/4"=1'-0"



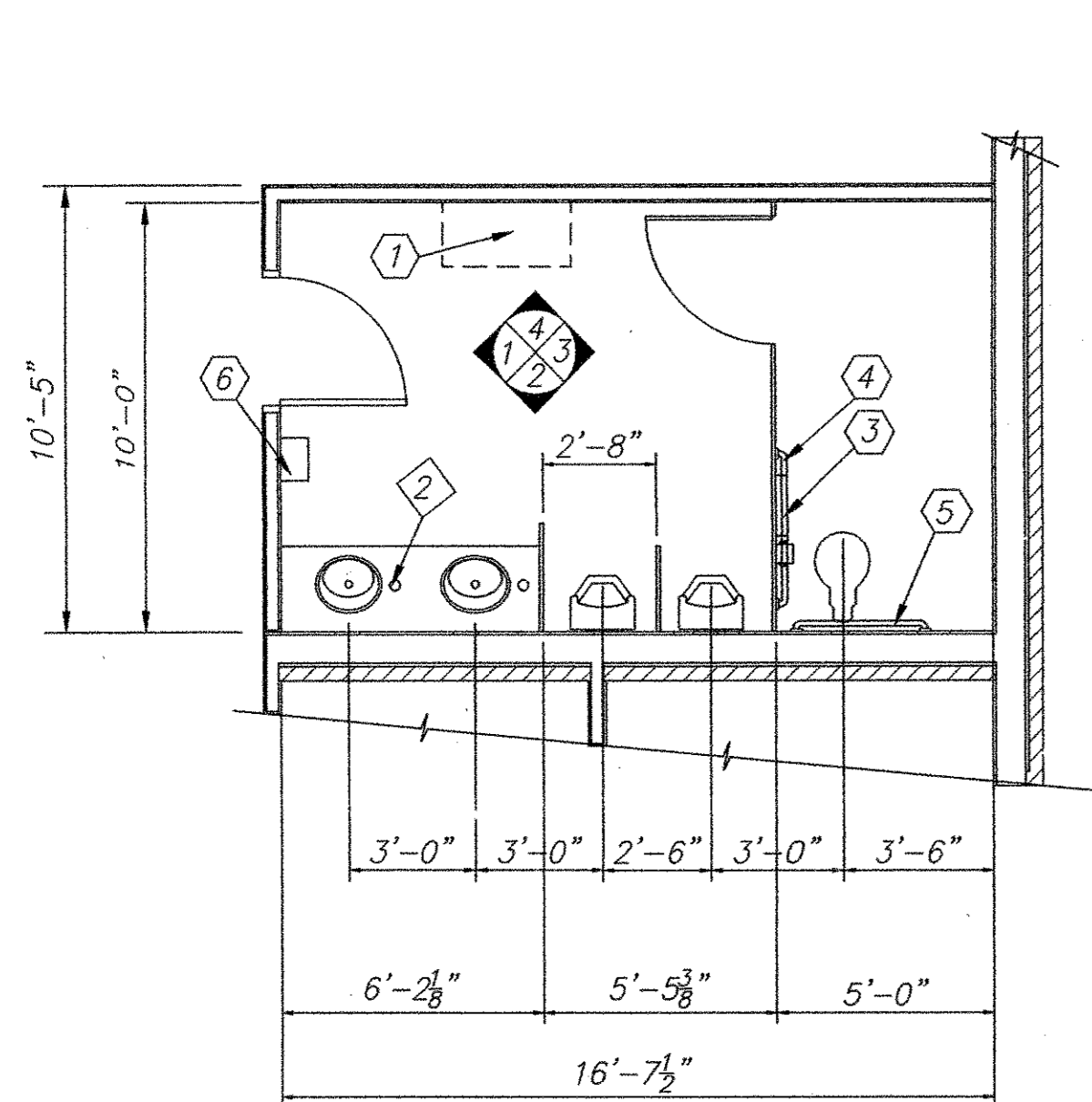
TOILETROOM ELEVATION 14  
SCALE: 1/4"=1'-0"



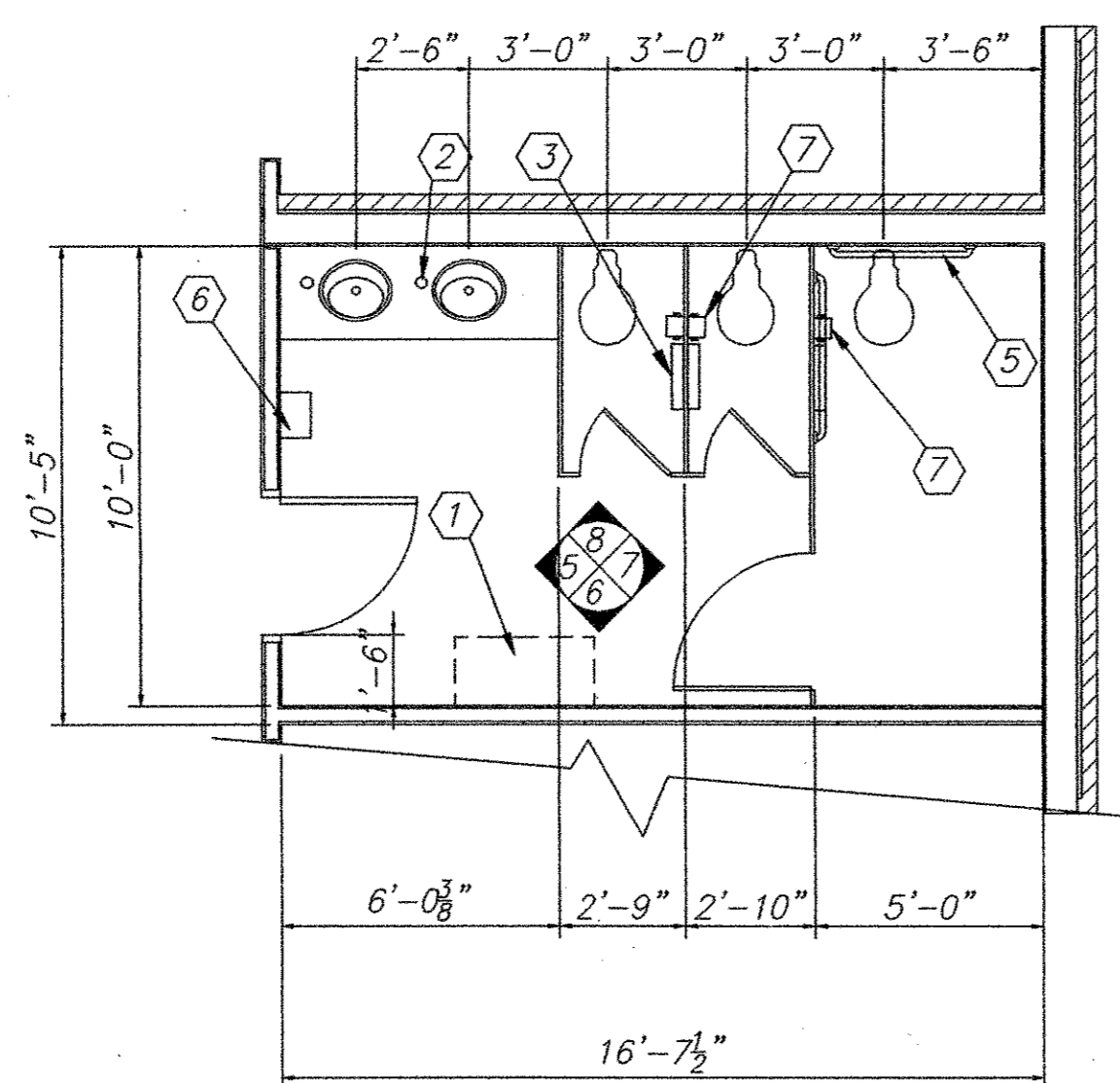
TOILETROOM ELEVATION 15  
SCALE: 1/4"=1'-0"



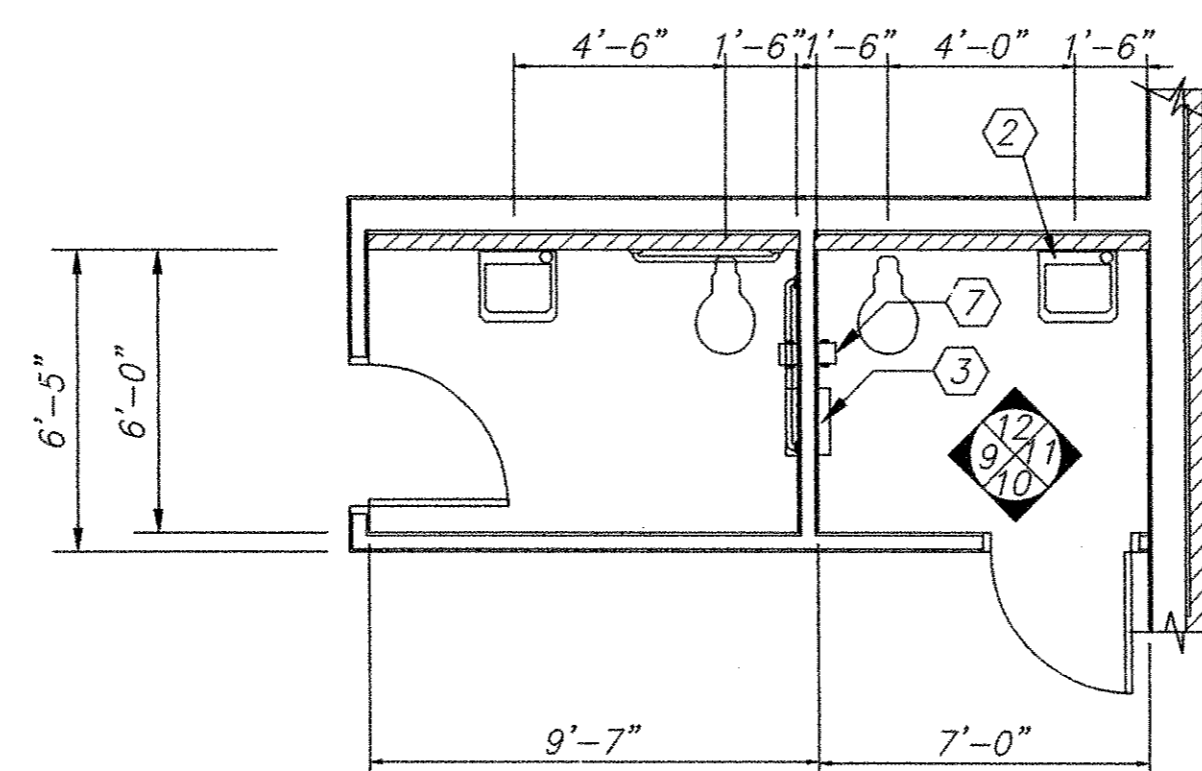
JANITOR'S CLOSET  
SCALE: 1/4"=1'-0"



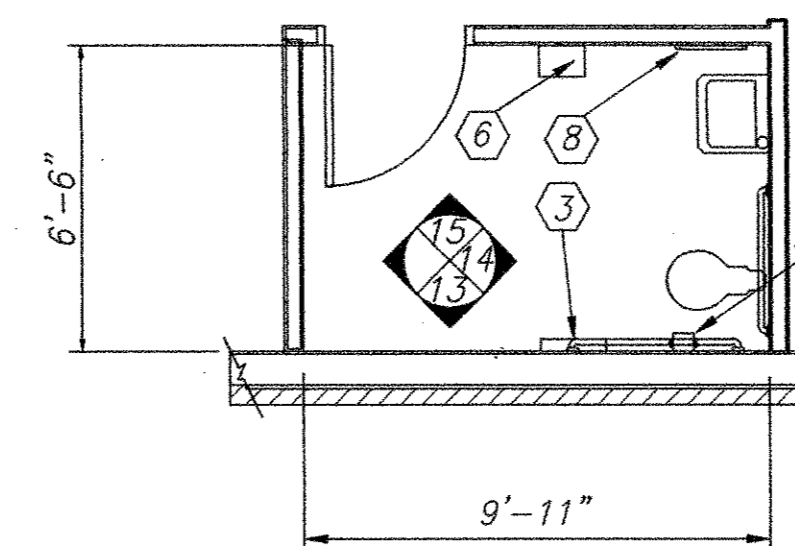
MEN'S ROOM  
SCALE: 1/4"=1'-0"



WOMEN'S ROOM  
SCALE: 1/4"=1'-0"



WOMEN'S & PASTOR'S TOILET ROOMS  
SCALE: 1/4"=1'-0"



MEN'S TOILET  
SCALE: 1/4"=1'-0"

TOILETROOM ACCESSORIES

1. RETRACTABLE INFANT CHANGING TABLE	
2. SOAP DISPENSER	BRADLEY MODEL NO. 6562
3. TOILET SEAT COVER DISPENSER	BRADLEY MODEL NO. 5847
4. 42" GRAB BAR	BRADLEY MODEL NO. 001
5. 36" GRAB BAR	BRADLEY MODEL NO. 001
6. PAPER TOWEL DISPENSER AND RECEPTACLE	BRADLEY MODEL NO. 234
7. TOILET PAPER DISPENSER	BRADLEY MODEL NO. 505
8. TOWEL BAR	AMERICAN SPECIALTIES MODEL NO. 7355
9. PAPER TOWEL DISPENSER AND RECEPTACLE	BRADLEY MODEL NO. 2291
10. SHOWER CURTAIN BAR	

- NOTES: 1. MANUFACTURER SELECTED FOR DESIGN STYLE ONLY.  
2. WALLS WITHOUT TILE FINISH MUST BE GYP. BD PAINTED.

Copyright 2005 Philip Aaron Lacy, Architect. All rights reserved. No portion of this document may be reproduced without written permission.

Date: \_\_\_\_\_

Revisions: \_\_\_\_\_

Consultants: \_\_\_\_\_

Certification: ARCHITECTURAL REGISTRATION # 6849-P  
PHILIP AARON LACY  
STATE OF MARYLAND  
10-19-10

Project Title: MIRACLE TEMPLE ASSEMBLY OF GOD  
14111 ALDERTON ROAD  
SILVER SPRING, MARYLAND 20906

TOILETROOM PLANS AND ELEVATIONS

Philip Aaron Lacy, Architect  
6188 Oxon Hill Road, Suite 303  
Oxon Hill, Maryland 20745  
Phone: 301-567-8223

Date: OCT. 12, 2010  
Scale: 1/4"=1'-0"  
Drawn: FCB  
Checked: PAL  
File No. MTAG\_A07

Drawing No. A-7

Professional Certification: I hereby certify that these documents were prepared or approved by me, and that I am duly licensed professional architect under the laws of the State of Maryland Architectural License number 6849 with expiration date of 11/18/2011.