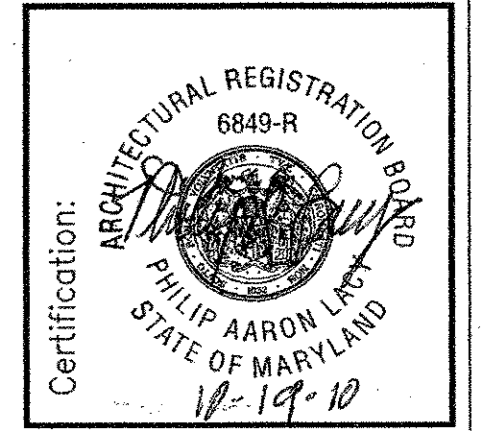


Date:	
Revisions:	

Consultants:

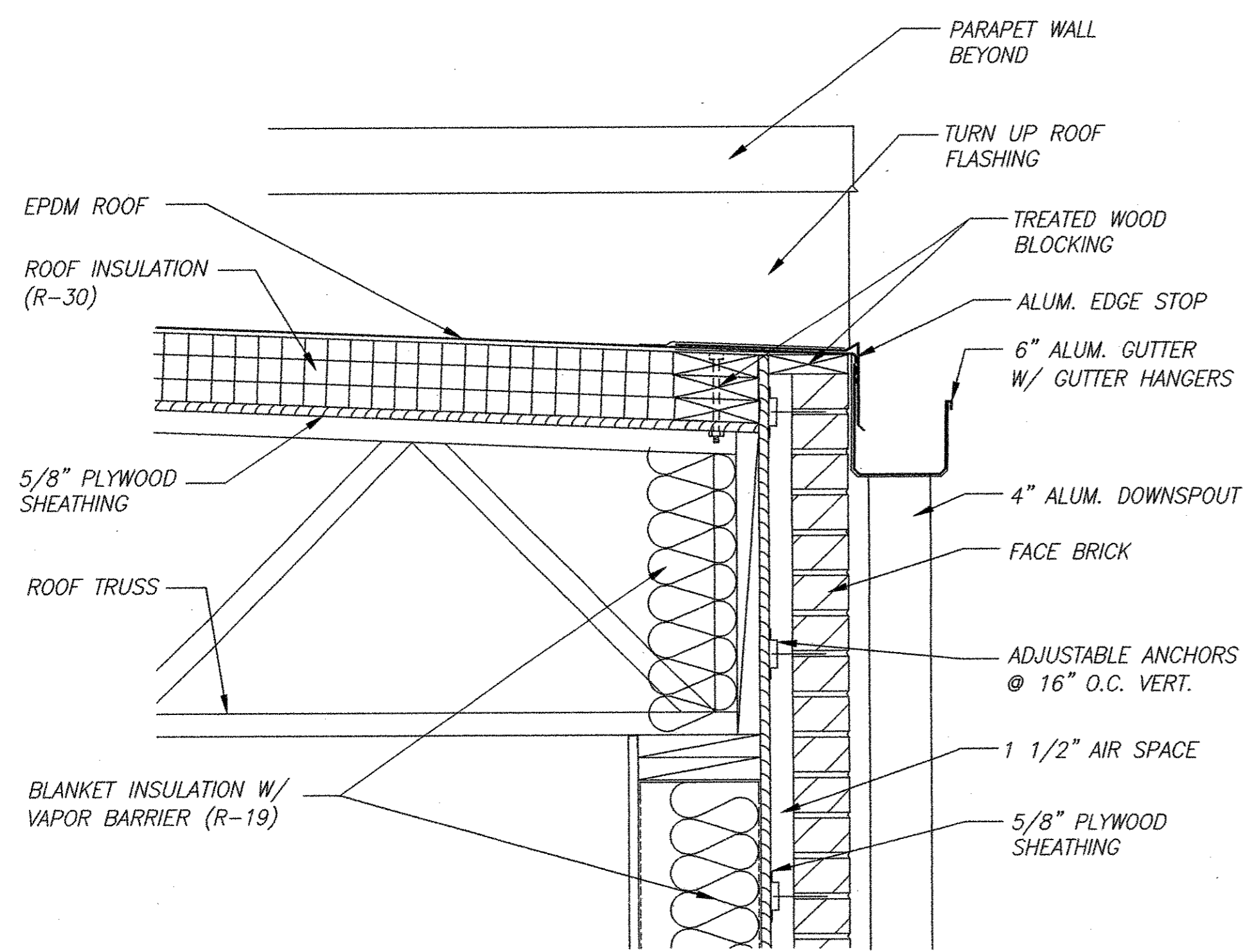


Project Title:  
**MIRACLE TEMPLE ASSEMBLY OF GOD**  
 14111 ALDERTON ROAD  
 SILVER SPRING, MARYLAND 20906

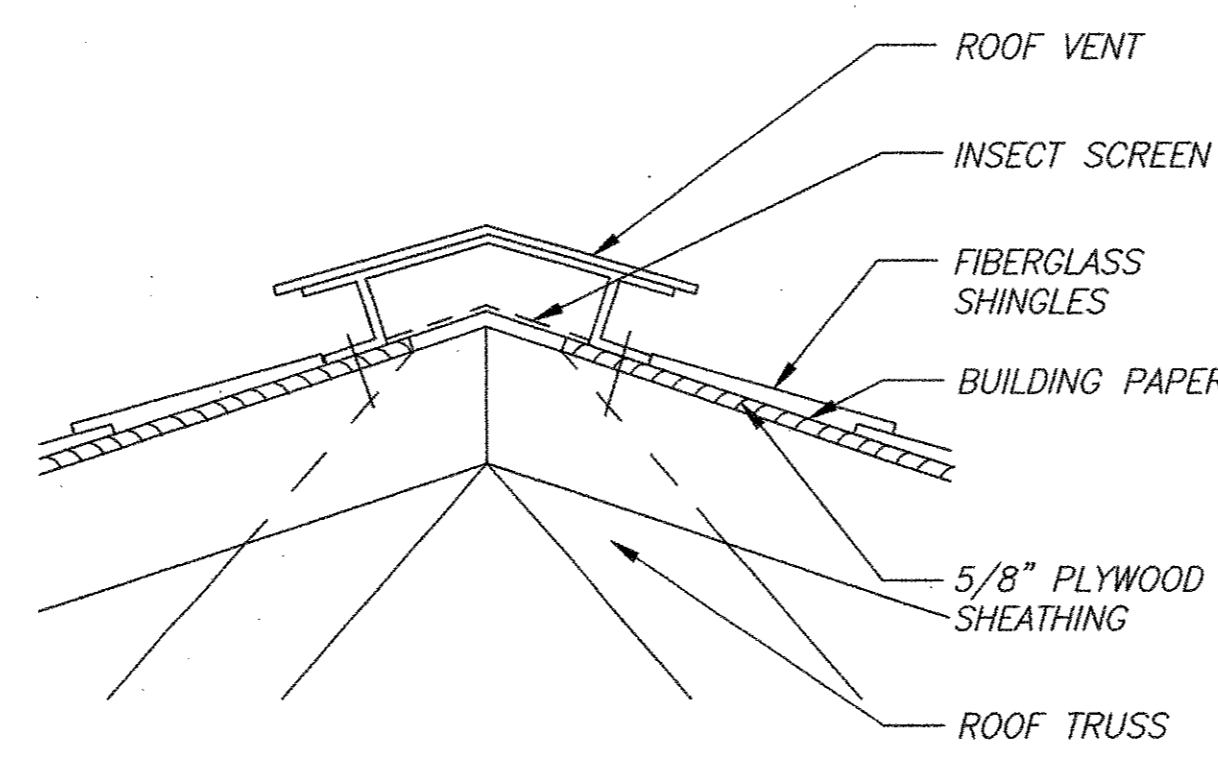
Philip Aaron Lacy, Architect  
 6188 Oxon Hill Road, Suite 303  
 Oxon Hill, Maryland 20745  
 Phone: 301-567-8223

Date: OCT. 12, 2010  
 Scale: 1/8"=1'-0"  
 Drawn: FCB  
 Checked: PAL  
 File No. MTAG\_A03

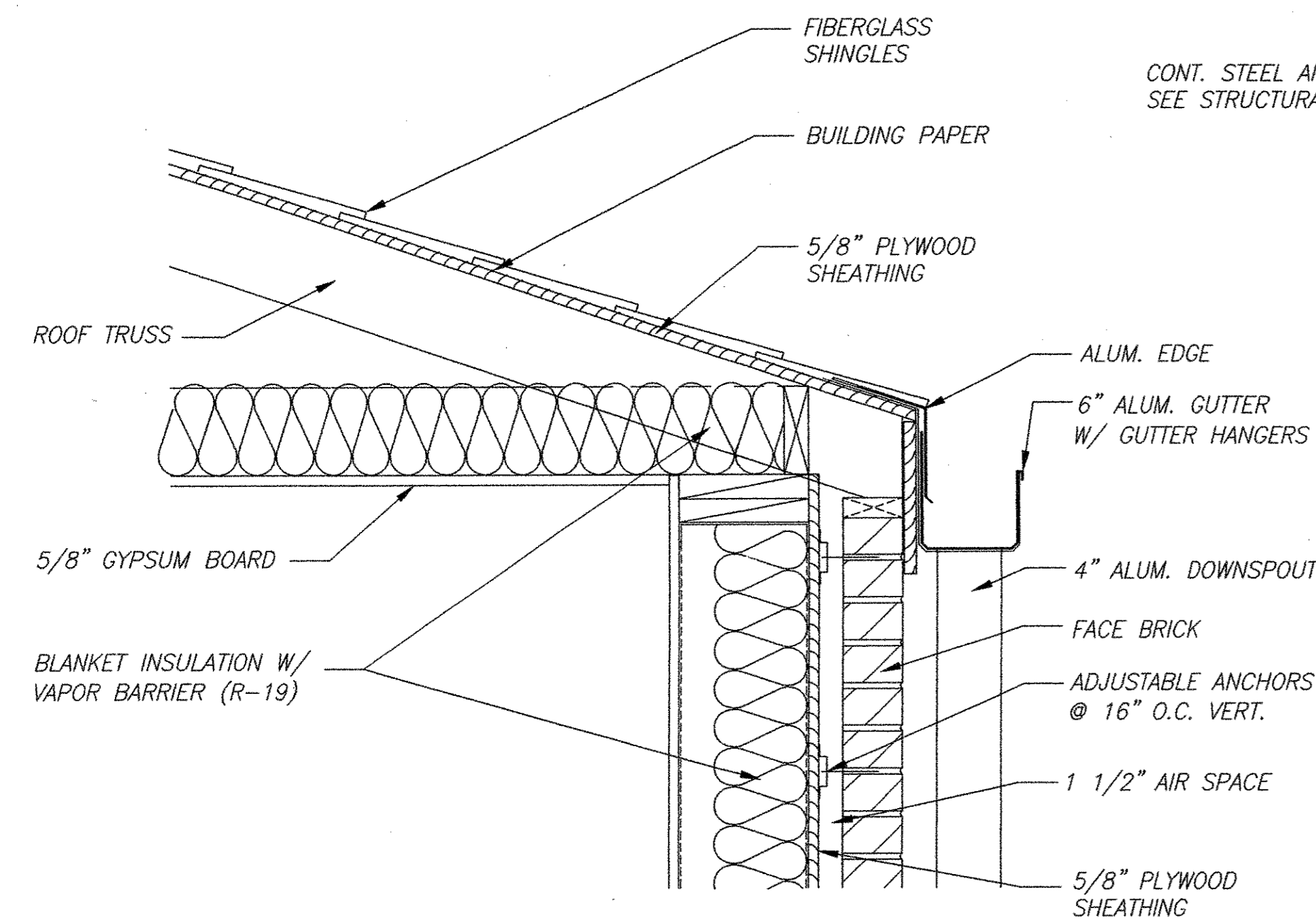
Drawing No.  
**A-3**



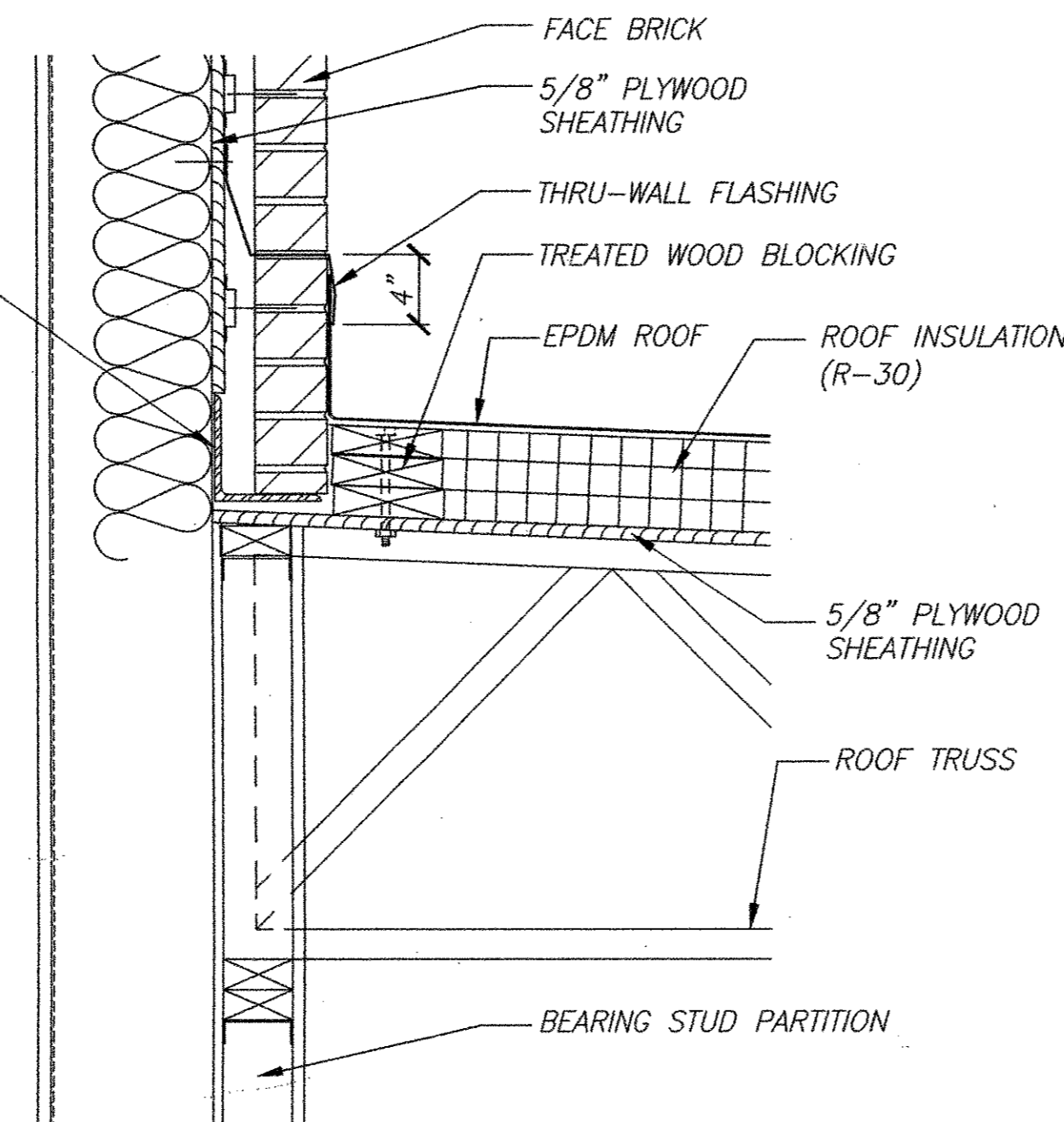
ROOF DETAIL 1  
 SCALE: 1 1/2"=1'-0"  
 A-3



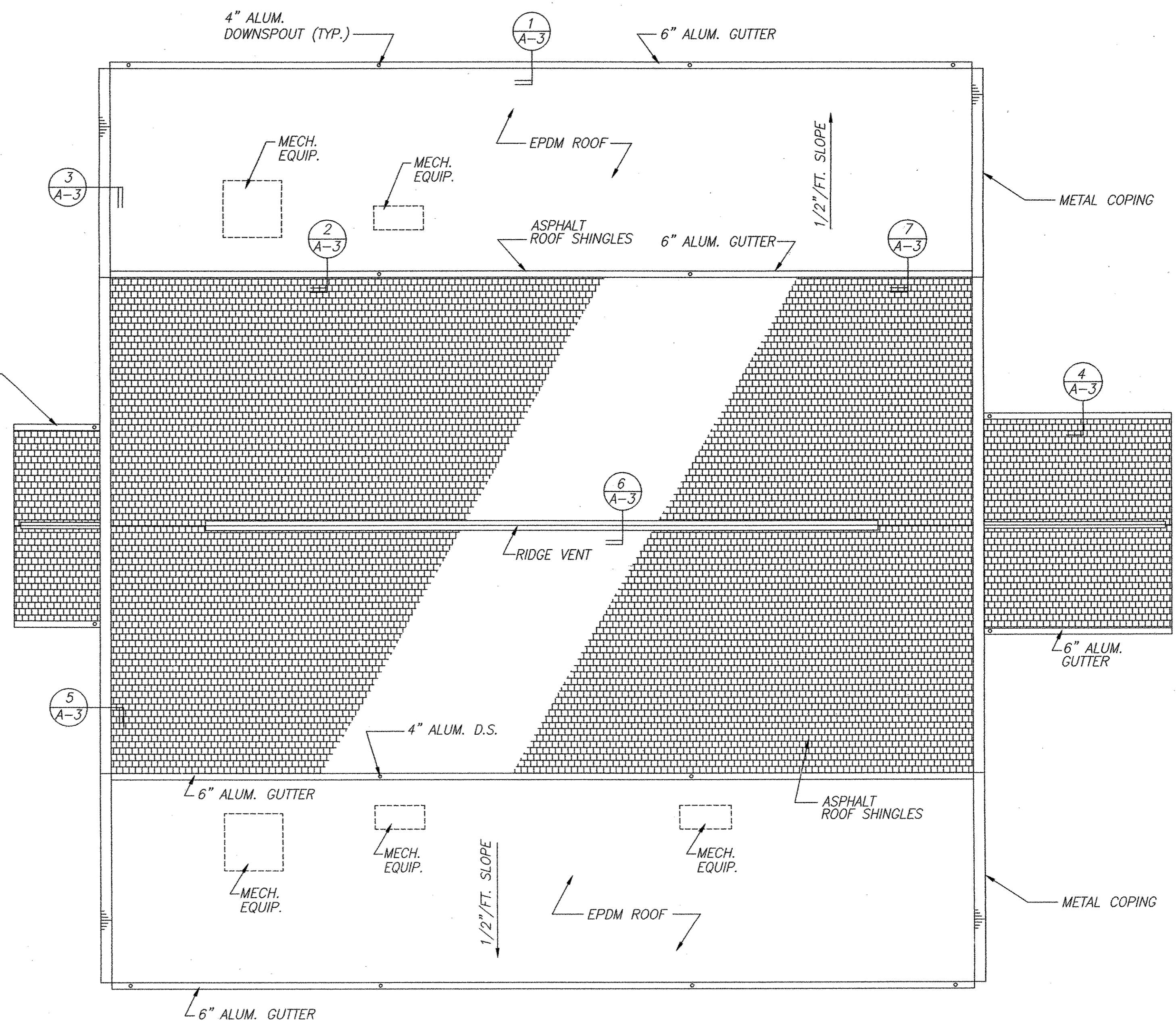
ROOF DETAIL 6  
 SCALE: 1 1/2"=1'-0"  
 A-3



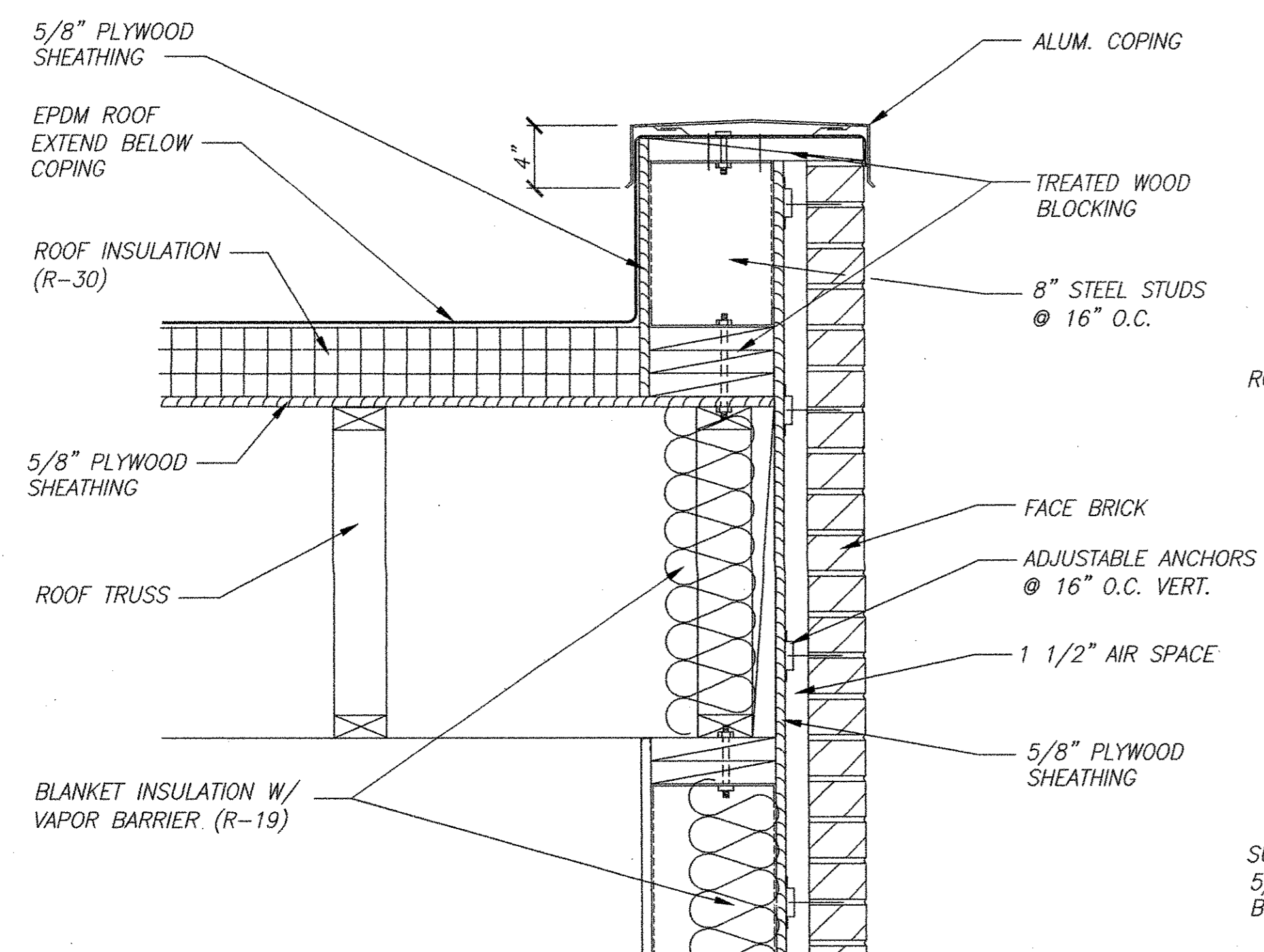
ROOF DETAIL 2  
 SCALE: 1 1/2"=1'-0"  
 A-3



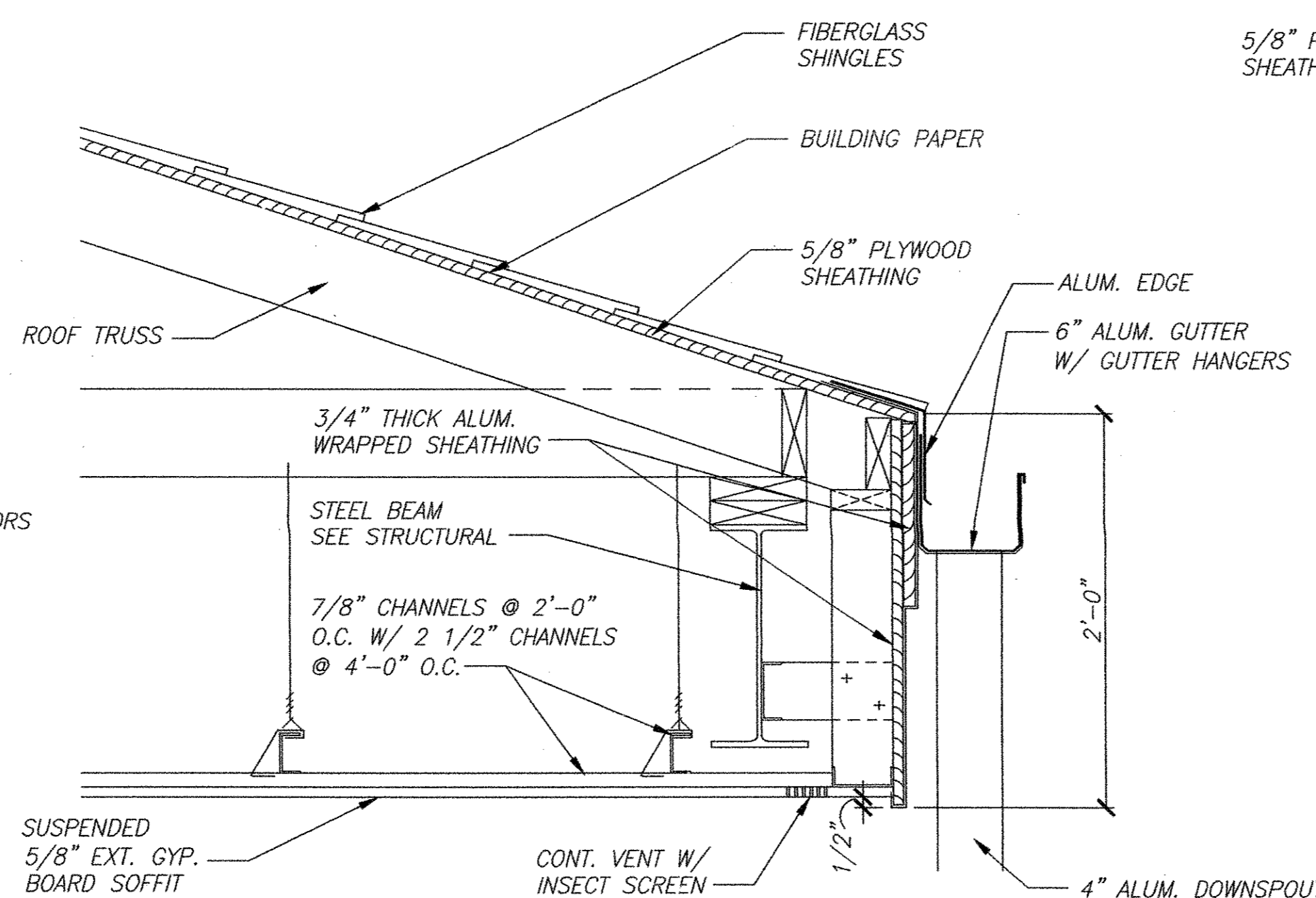
ROOF DETAIL 7  
 SCALE: 1 1/2"=1'-0"  
 A-3



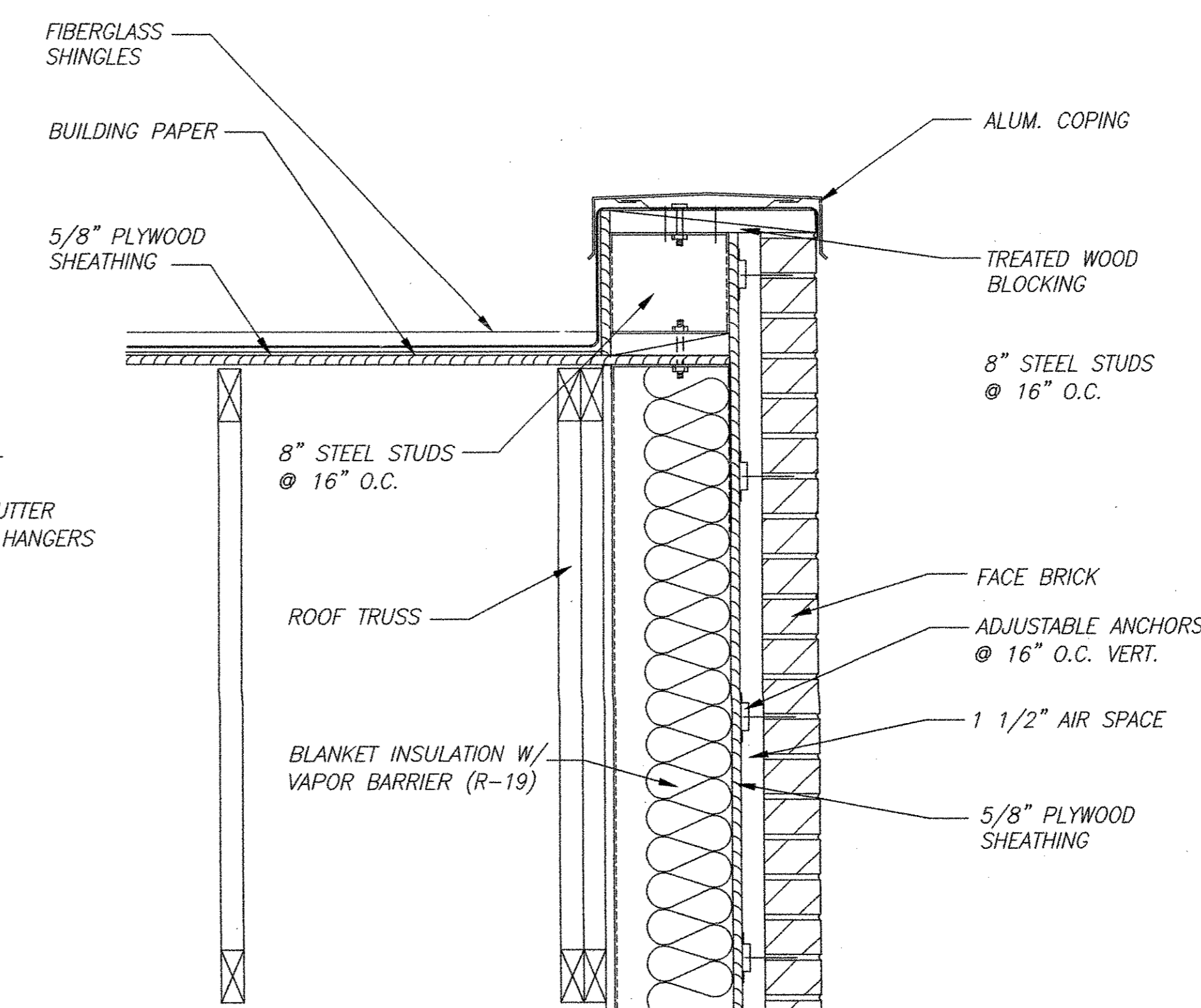
ROOF PLAN  
 SCALE: 1/8"=1'-0"  
 NORTH



ROOF DETAIL 3  
 SCALE: 1 1/2"=1'-0"  
 A-3



ROOF DETAIL 4  
 SCALE: 1 1/2"=1'-0"  
 A-3



ROOF DETAIL 5  
 SCALE: 1 1/2"=1'-0"  
 A-3

Professional Certification: I hereby certify that these documents were prepared or approved by me, and that I am duly licensed professional architect under the laws of the State of Maryland Architectural License number 6849 with expiration date of 11/18/2011.