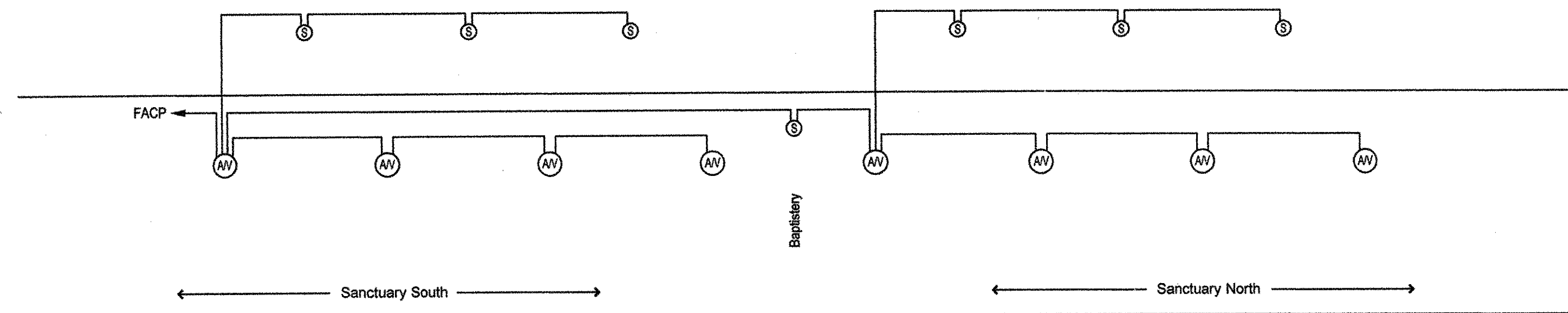
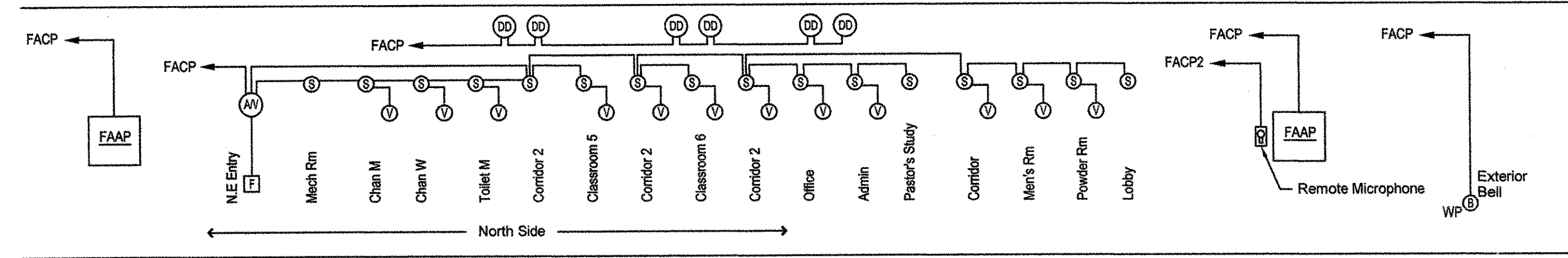


1 Fire Alarm Schematic Part 'A' No Scale

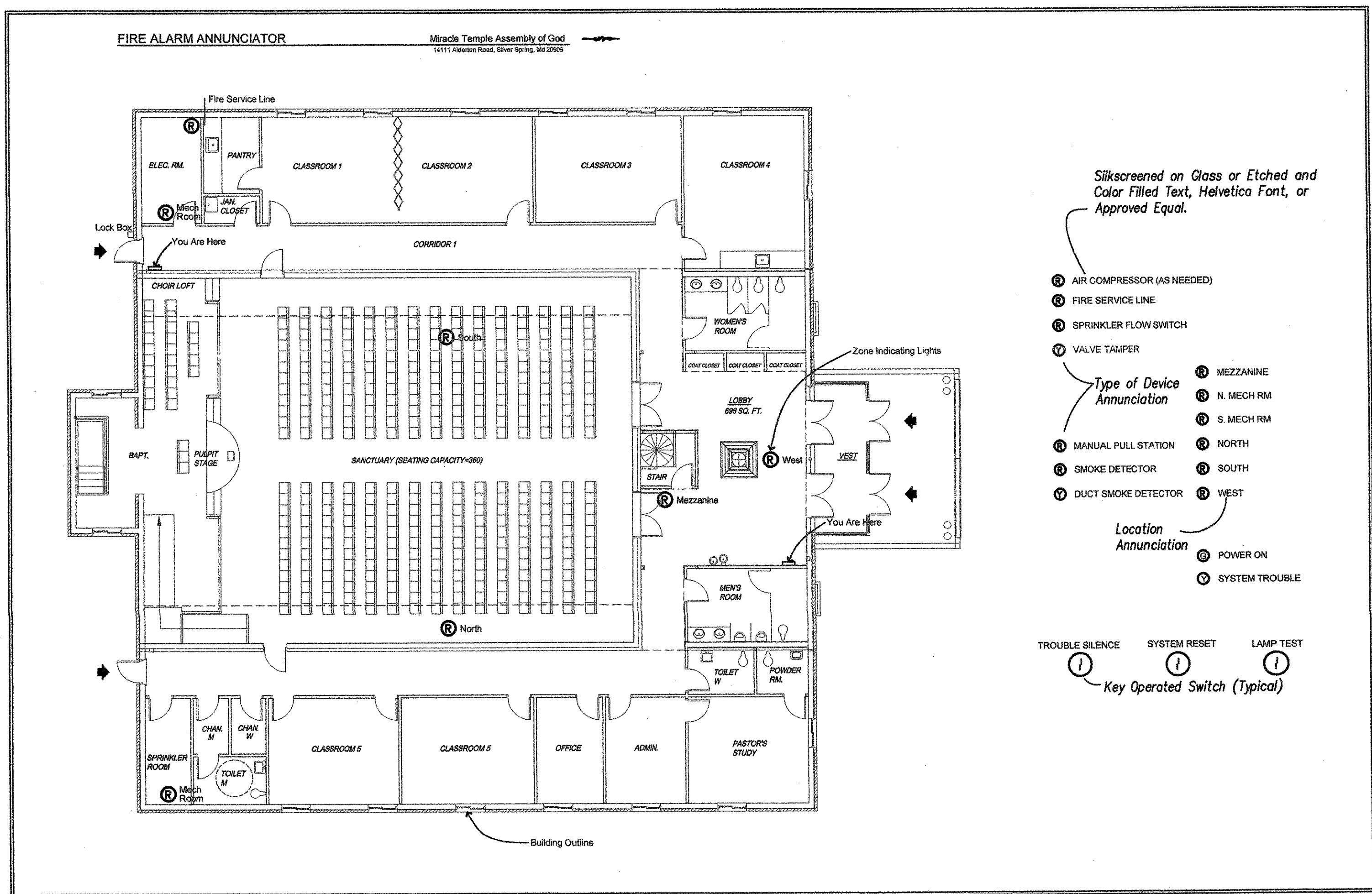


2 Fire Alarm Schematic Part 'B' No Scale



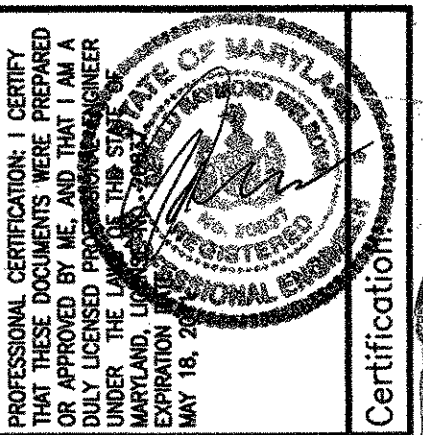
3 Fire Alarm Schematic Part 'C' No Scale

- NOTES**
1. WHERE MULTIPLE STROBES ARE LOCATED WITHIN VIEWING PROXIMITY, PROVIDE EQUIPMENT TO SYNCHRONIZE FLASHING OF STROBES.
  2. COORDINATE EXACT QUANTITY AND LOCATION OF SPRINKLER RELATED DEVICES WITH SPRINKLER SYSTEM WORKING DRAWINGS. MAKE ADJUSTMENTS TO FIRE ALARM SYSTEM EQUIPMENT TO COORDINATE WITH SPRINKLER SYSTEM AS NEEDED.
  3. SEE HVAC DRAWINGS FOR QUANTITY AND LOCATION OF DUCT MOUNTED SMOKE DETECTORS.
  4. FOR EVACUATION ALARM, PROVIDE SPEAKERS WITH SELECTABLE POWER RATING TO ADJUST SOUND OUTPUT OF BETWEEN 80 AND 90 DBA (@ 10 FT). VOLTAGE RATED FOR 25V OR 70.7 VOLTS AND MINIMUM OF 400 TO 40,000 HZ FREQUENCY RESPONSE RANGE.



4 Fire Alarm Annunciator Approx. 2/3 Full Size

|              |  |
|--------------|--|
| Date:        |  |
| Revisions:   |  |
| Consultants: |  |



Project Title:  
**MIRACLE TEMPLE ASSEMBLY OF GOD**  
 14111 ALBERTON ROAD  
 SILVER SPRING, MARYLAND 20806  
**FIRE ALARM ANNUNCIATOR**

Philip Aaron Lacy, Architect  
 6188 Oxon Hill Road, Suite 303  
 Oxon Hill, Maryland 20745  
 Phone: 301-567-8223

Date: OCTOBER 12, 2010  
 Scale: NONE  
 Drawn: ST  
 Checked: RW  
 File No. F:\PROJ\2010\10003

Drawing No.  
**E - 5**  
 of