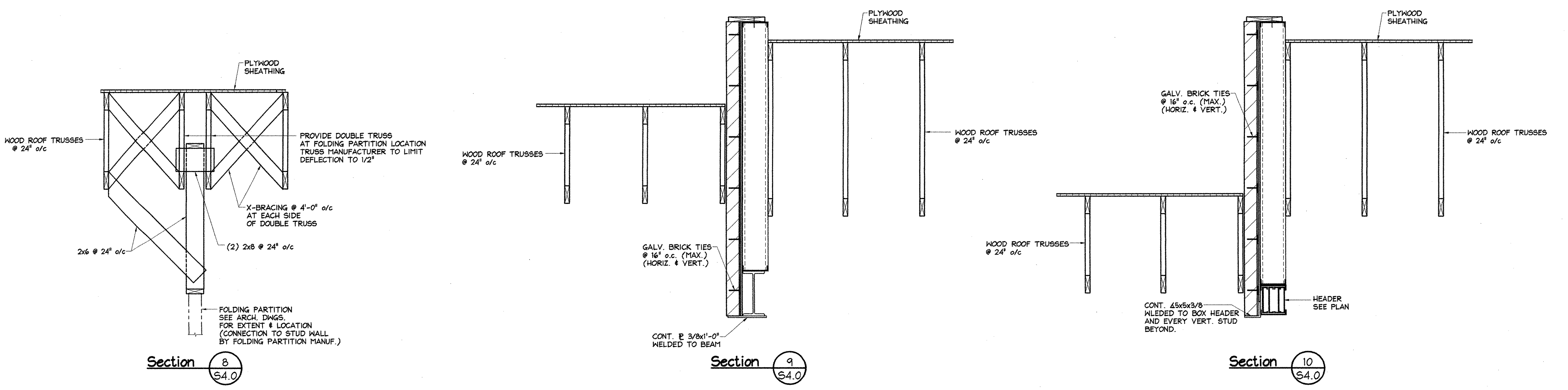
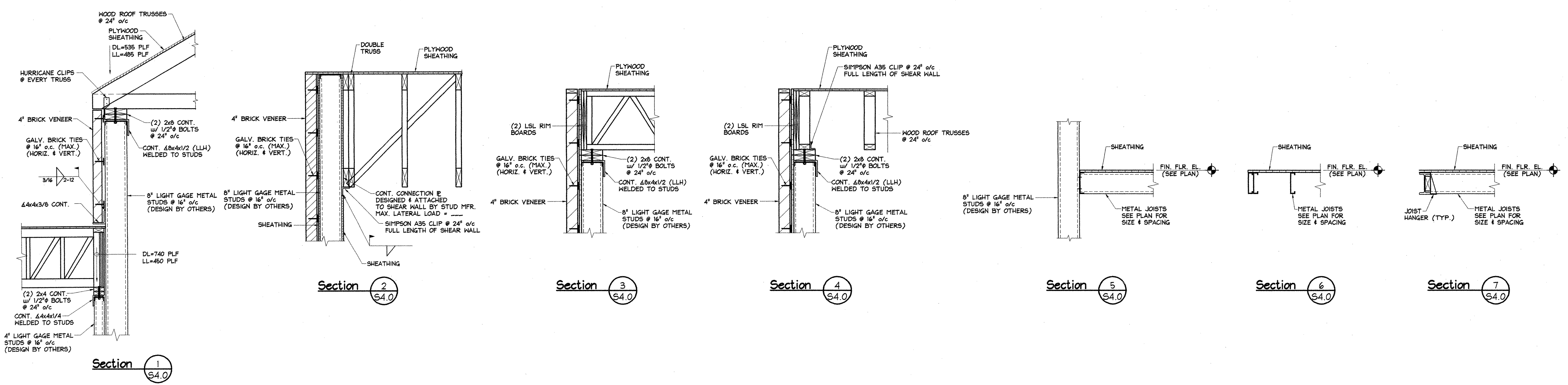


Copyright 2005 Philip Aaron Lacy, Architect. All rights reserved. No portion of this document may be reproduced without written permission.



Date:	
Revisions:	

Consultants:



Project Title:
MIRACLE TEMPLE ASSEMBLY OF GOD
 14111 ADDERTON ROAD
 SILVER SPRING, MARYLAND 20906

FRAMING DETAILS

Philip Aaron Lacy, Architect
 6188 Oxon Hill Road, Suite 303
 Oxon Hill, Maryland 20745
 Phone: 301-567-8223

Date: 5-9-06
 Scale: AS NOTED
 Drawn:
 Checked:
 File No.

Drawing No.
 S4.0
 of

PERMIT SET
 10-13-10
ODONNELL & NACCARATO, INC.
 STRUCTURAL ENGINEERS
 9900 MAIN STREET
 SUITE 522
 FAIRFAX, VIRGINIA 22031
 TELEPHONE: (703) 451-5222
 FAX: (703) 451-0522
 Project No. 2270.0010