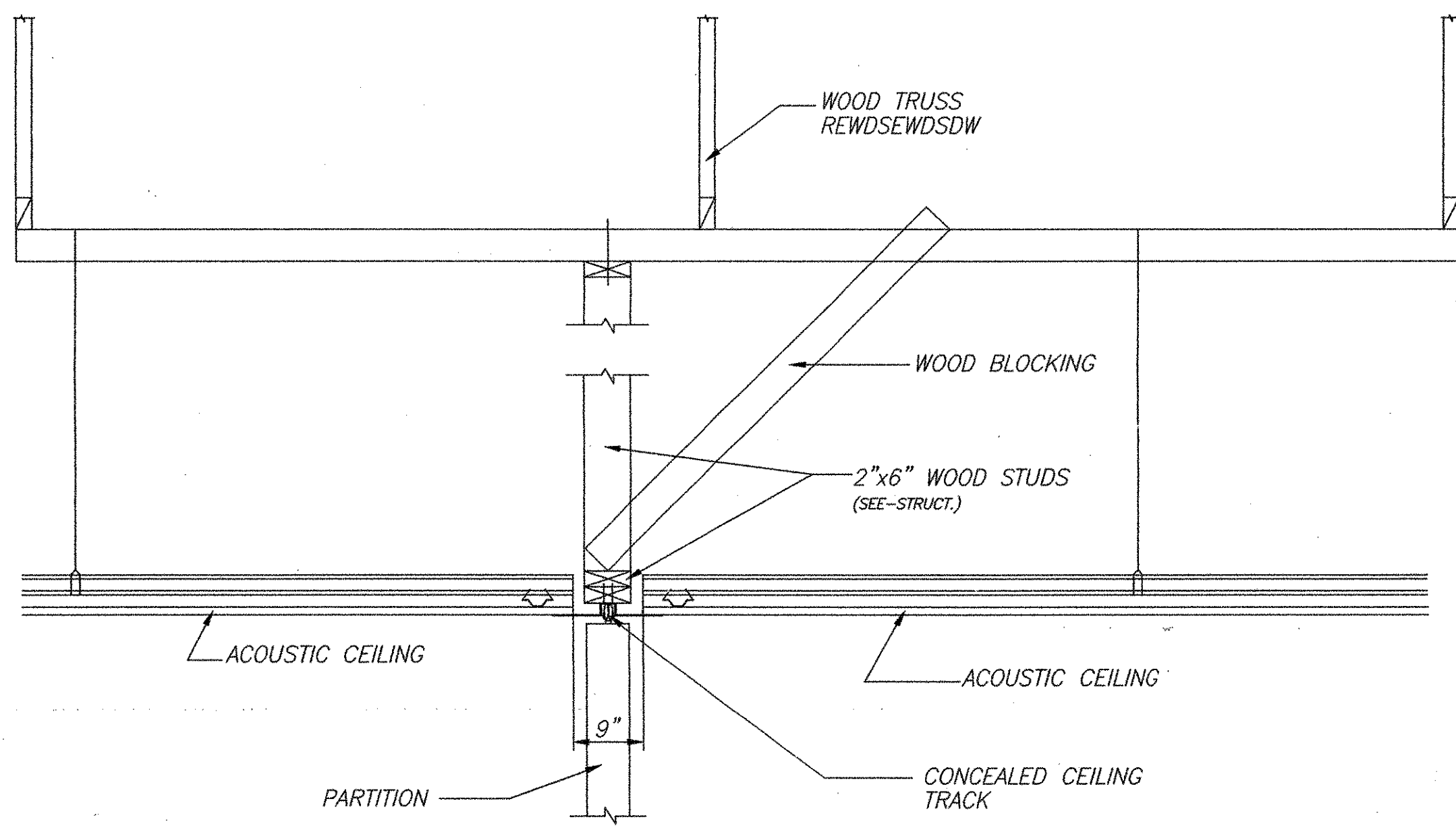
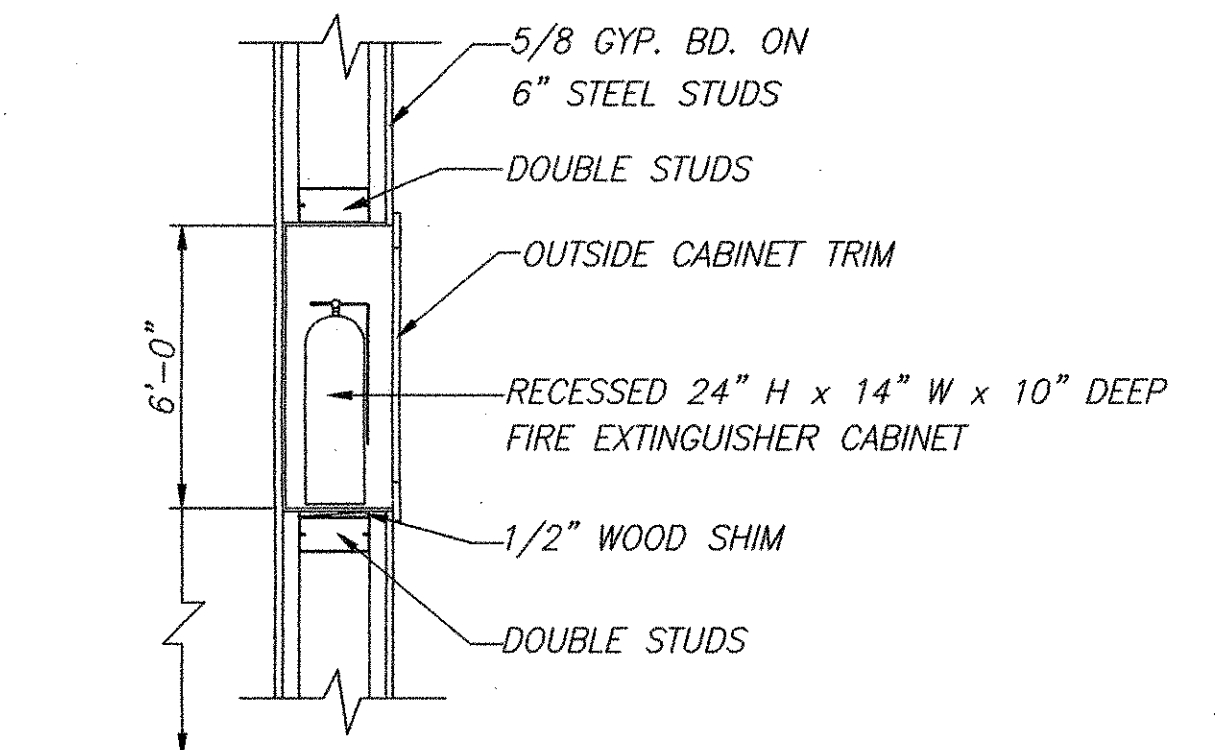


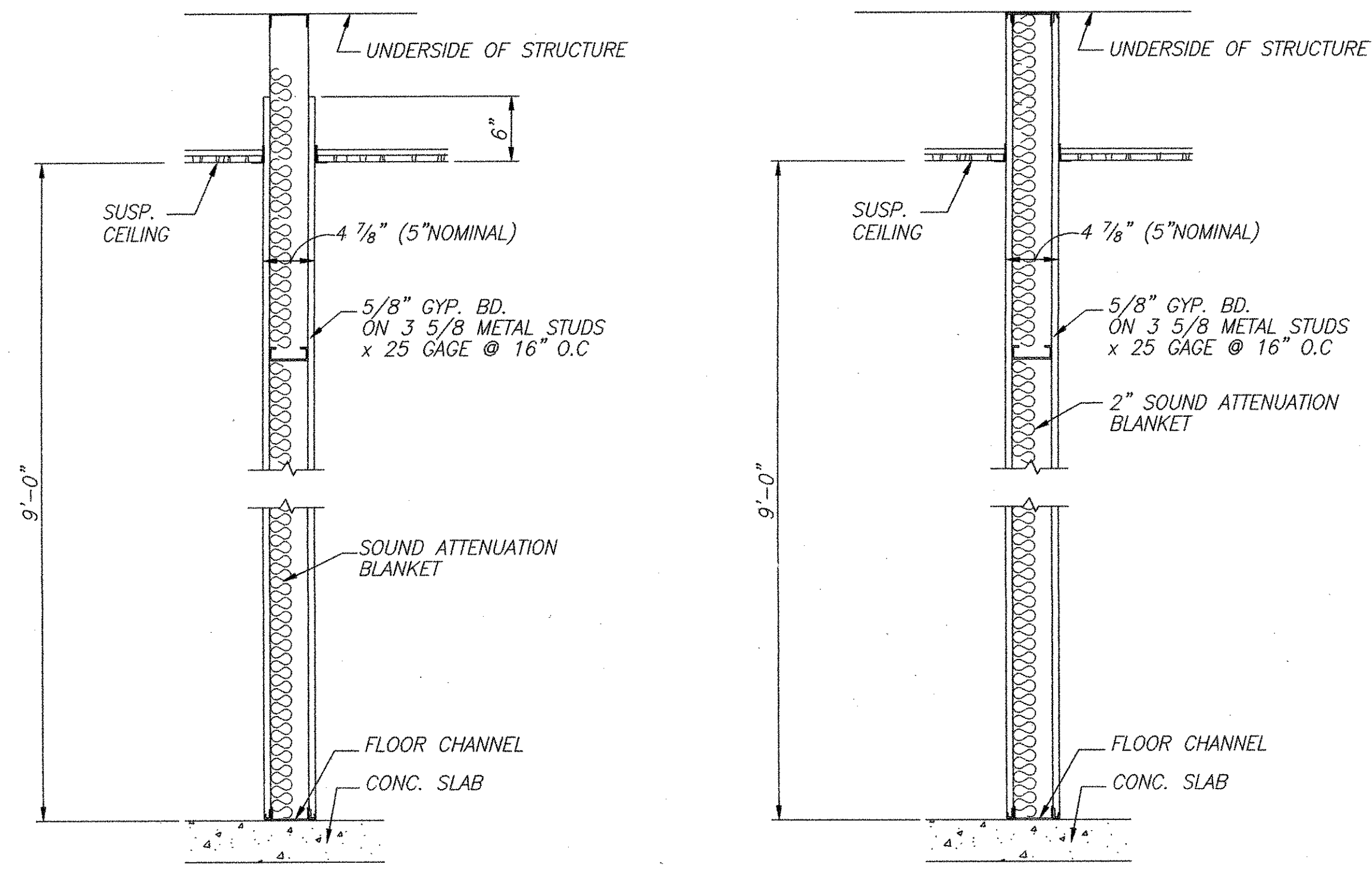
FINISH SCHEDULE											REMARKS													
ROOM NAME	FLOOR	BASE	WALL	CEILING	CEILING HT.																			
	CONCRETE	CERAMIC TILE	VINYL TILE	CARPET	STONE TILE	QUARRY TILE	NONE	VINYL RUBBER	CERAMIC TILE	STONE TILE	WOOD	QUARRY TILE	CMU PAINTED	GYP. BD. PAINTED	CERAMIC TILE	GLASS	VINYL CVR.	ACOUSTICAL	WOOD	GYP. BD. PAINTED	EXPOSED			
SANCTUARY																						18'-7"		
RAMP																							VARIES	
BAND																							16'-10"	
PULPIT																							16'-10"	
BAPTISTRY																							16'-10"	
CHOIR LOFT																							16'-10"	
CORRIDOR 1																							8'-0"	
MECH. & ELECT. ROOM																							8'-0"	PROVIDE CONCRETE HARDENER AND SEALER
WOMEN'S TOILET 1																							8'-0"	PROVIDE CERAMIC TILE WAINSCOT WHERE SHOWN
PANTRY																							8'-0"	
CLASSROOM 1																							8'-0"	
CLASSROOM 2																							8'-0"	
CLASSROOM 3																							8'-0"	
CLASSROOM 4																							8'-0"	
WOMEN'S ROOM																							8'-0"	PROVIDE CERAMIC TILE WAINSCOT WHERE SHOWN
LOBBY																							18'-7"	
MEN'S ROOM																							8'-0"	PROVIDE CERAMIC TILE WAINSCOT WHERE SHOWN
PASTOR'S BATHROOM																							8'-0"	PROVIDE CERAMIC TILE WAINSCOT WHERE SHOWN
JANITOR'S CLOSET																							8'-0"	PROVIDE CERAMIC TILE WAINSCOT WHERE SHOWN
CORRIDOR 2																							8'-0"	
PASTOR'S STUDY																							8'-0"	
ADMINISTRATION																							8'-0"	
OFFICE																							8'-0"	
CLASSROOM 5																							8'-0"	
CLASSROOM 6																							8'-0"	
CHANGE (WOMEN)																							8'-0"	
CHANGE (MEN)																							8'-0"	
MECHANICAL ROOM																							8'-0"	PROVIDE CONCRETE HARDENER AND SEALER
TOILET (MEN)																							8'-0"	PROVIDE CERAMIC TILE WAINSCOT WHERE SHOWN
MEZZANINE																							8'-7"	
VESTIBULE																							9'-0"	SURROUND VEST. WITH ALUMINUM STOREFRONT



MOVABLE PARTITION DETAIL 1  
SCALE: 3/4" = 1'-0"



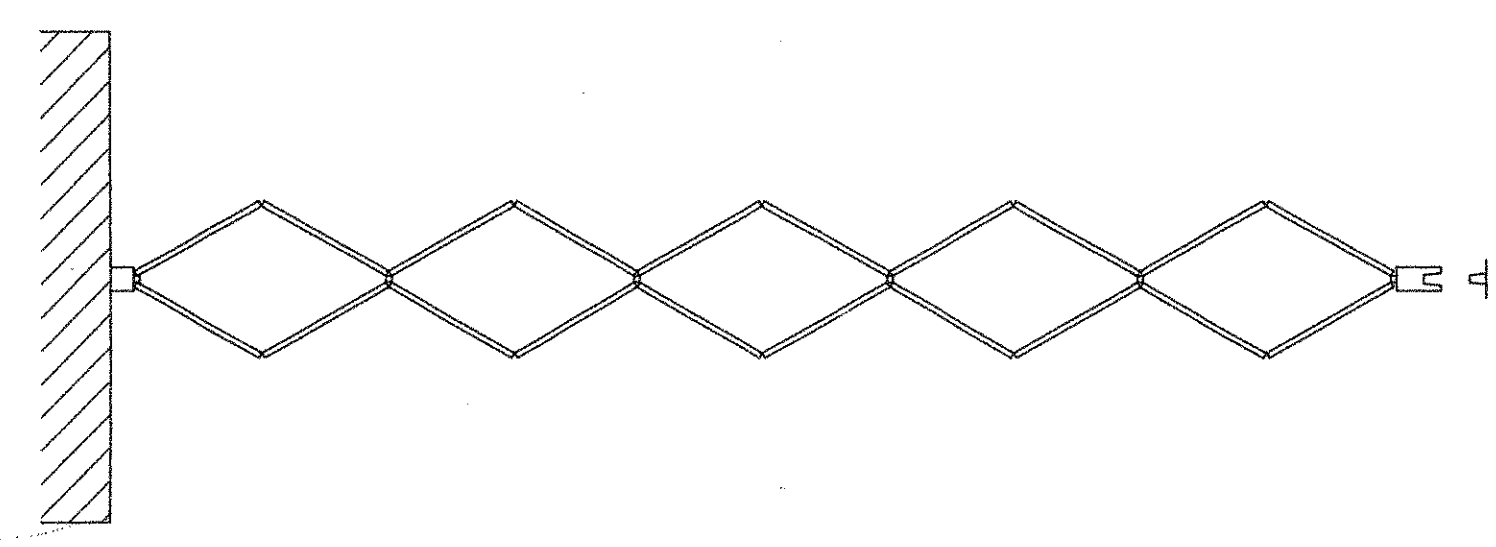
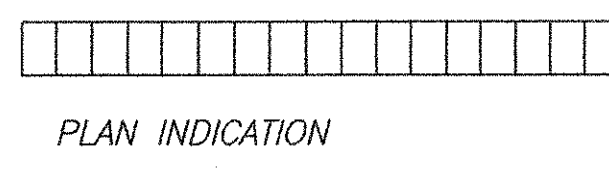
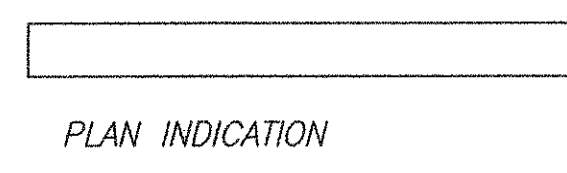
FIRE EXTINGUISHER CABINET  
SCALE: NONE



PARTITION TYPE 1

PARTITION TYPE 2

NOTE: PROVIDE 1 HR RATED CONSTRUCTION AT MECHANICAL, ELECTRICAL ROOM WALLS AND CORRIDORS. UL DESIGN NO. U465

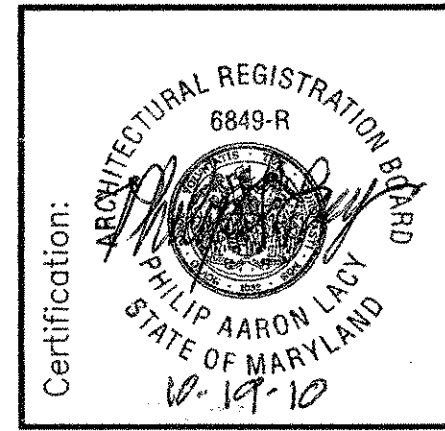


PLAN OF MOVABLE PARTITION

Copyright, 2005 Philip Aaron Lacy, Architect. All rights reserved. No portion of this document may be reproduced without written permission.

Date:	
Revisions:	

Consultants:



Project Title:  
MIRACLE TEMPLE ASSEMBLY OF GOD  
14111 ALDEFORT ROAD  
SILVER SPRING, MARYLAND 20906  
FINISH SCHEDULE & MISCELLANEOUS

Philip Aaron Lacy, Architect  
6188 Oxon Hill Road, Suite 303  
Oxon Hill, Maryland 20745  
Phone: 301-567-8223

Date: OCT. 12, 2010  
Scale: 1/4" = 1'-0"  
Drawn: FCB  
Checked: PAL  
File No. MTAG\_A10

Drawing No.  
A-10  
of

Professional Certification: I hereby certify that these documents were prepared or approved by me, and that I am duly licensed professional architect under the laws of the State of Maryland Architectural License number 6849 with expiration date of 11/18/2011.