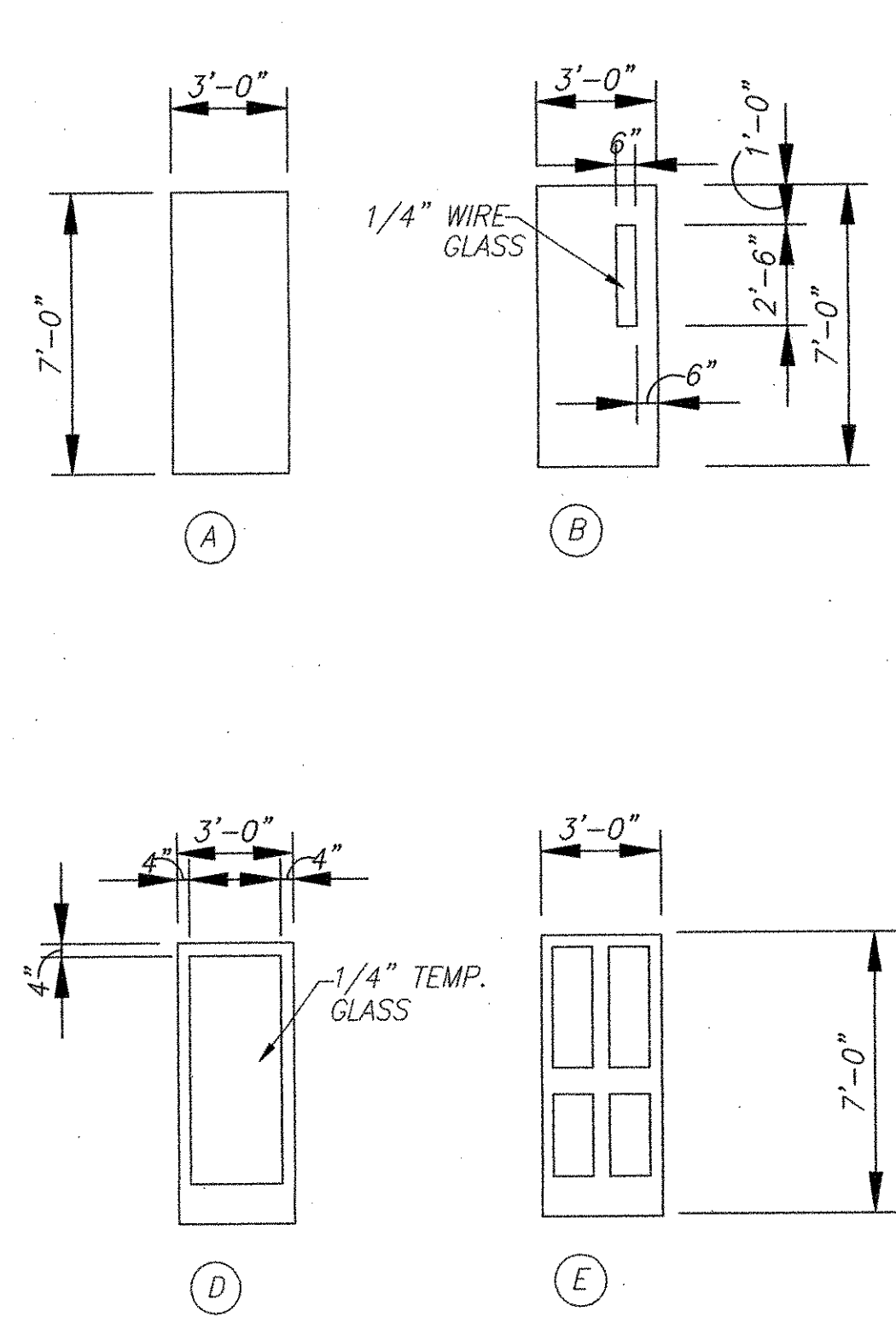
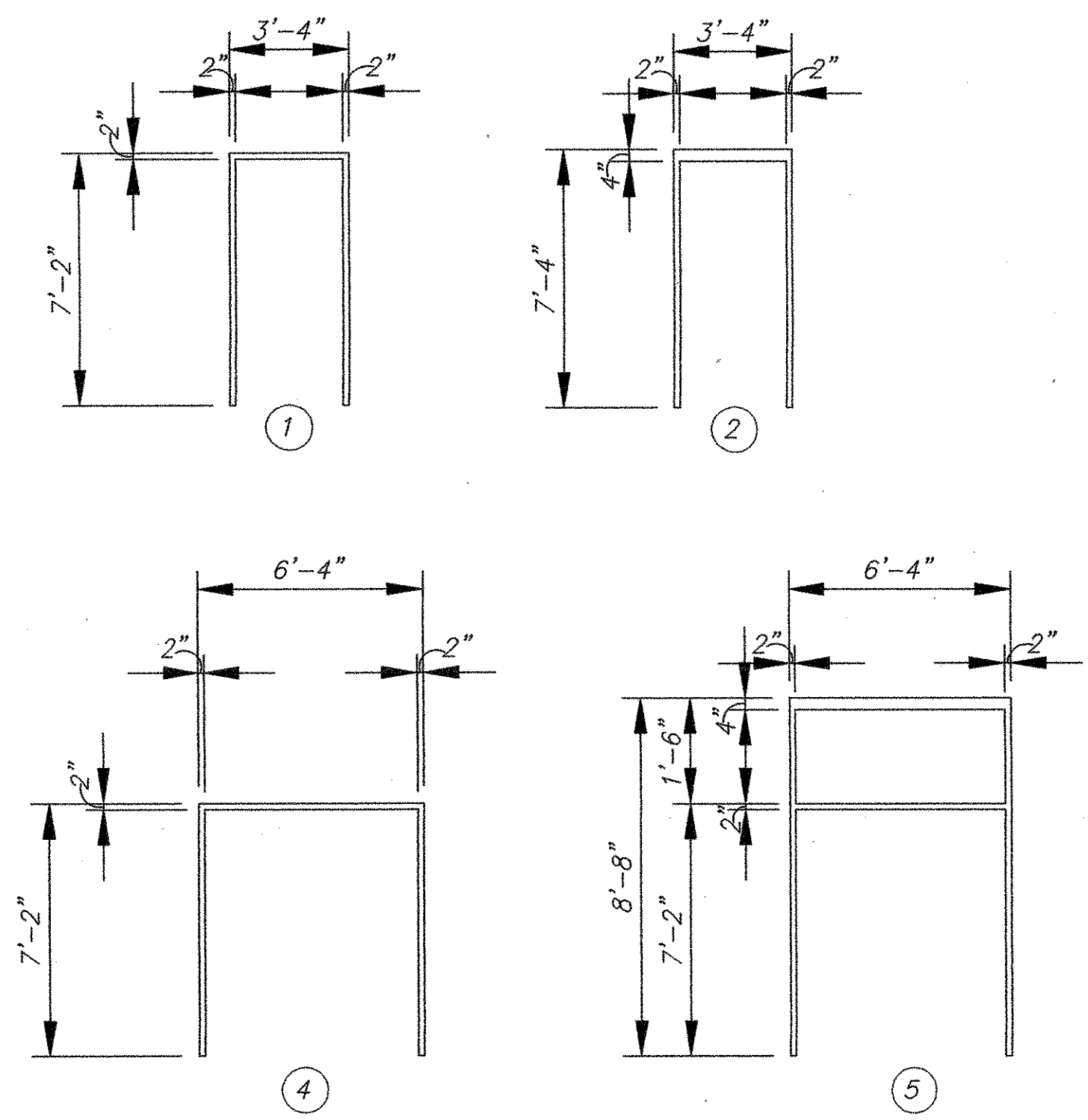


**DOOR TYPES**  
SCALE: 1/4"=1'-0"



**FRAME TYPES**  
SCALE: 1/4"=1'-0"



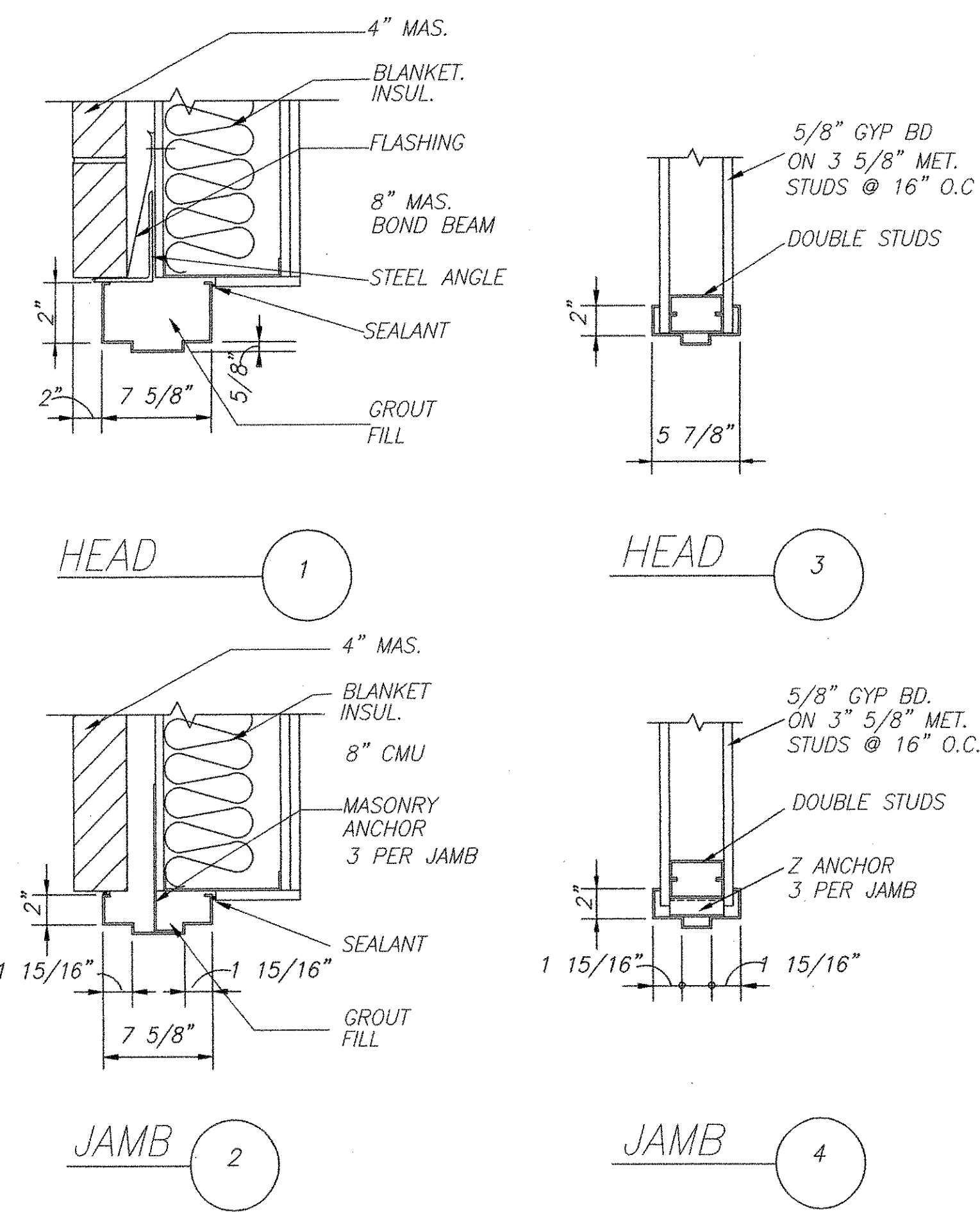
**HARDWARE SETS**

- HW-1**  
OFFSET PIVOTS  
OVERHEAD CLOSERS  
EXIT DEVICES  
CYLINDERS  
WEATHER SEAL  
DOOR SWEEPS  
THRESHOLD  
FLOOR STOPS
- HW-2**  
OFFSET PIVOTS  
OVERHEAD CLOSER  
EXIT DEVICE  
CYLINDER  
WEATHER SEAL  
DOOR SWEEPS  
THRESHOLD  
FLOOR STOP
- HW-3**  
HINGES  
EXIT DEVICES  
CYLINDER  
OVERHEAD CLOSERS  
OVERHEAD STOP  
PULL BAR  
KICK PLATE  
SILENCERS
- HW-4**  
HINGES  
LATCHSET-PRIVACY FUNCTION  
SILENCERS  
WALL STOP
- HW-5**  
HINGES  
LATCHSET-PASSAGE FUNCTION  
SILENCERS  
WALL STOP  
CLOSER-PULL SIDE MOUNTING
- HW-6**  
HINGES  
LOCKSET-CLASSROOM FUNCTION  
CLOSERS  
WALL STOP  
SILENCERS
- HW-7**  
HINGES  
CLOSER-PULL SIDE MOUNTING  
PUSH PLATE  
PULL PLATE  
KICK PLATE  
SILENCERS  
WALL STOP
- HW-8**  
HINGES  
LOCKSET-STORERM. FUNCTION  
OVERHEAD CLOSER  
SILENCERS  
FLOOR STOP
- HW-9**  
HINGES  
EXIT DEVICE  
CLOSER-PUSH SIDE MOUNTING  
KICK PLATE  
SILENCERS  
PROVIDE LOCK BOX ON BLDG. EXTERIOR @ DOOR 02
- HW-10**  
HINGES  
LOCKSET-OFFICE FUNCTION  
CLOSER-PULL SIDE MOUNTING  
WALL STOP  
SILENCERS

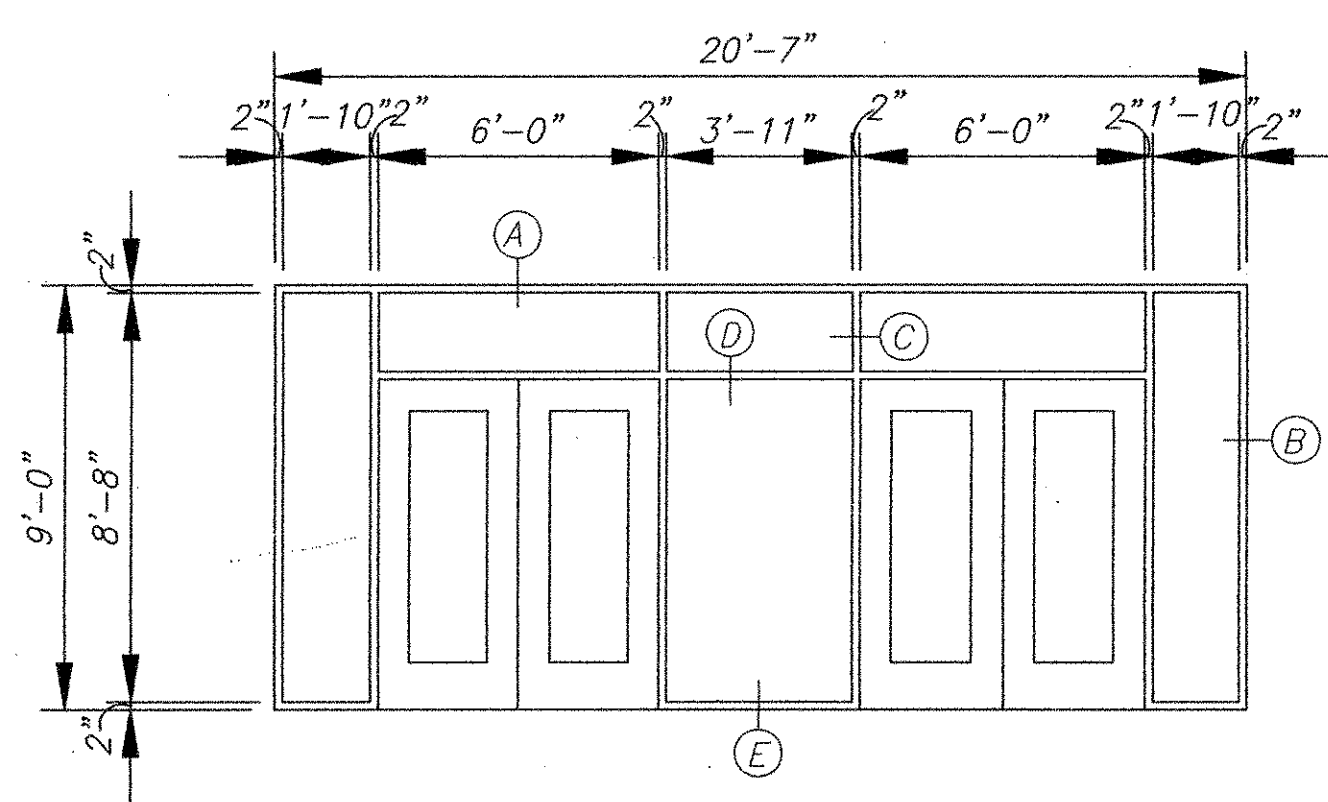
**DOOR SCHEDULE**

DOOR No.	DOOR SIZE	MATERIAL	TYPE	HEAD	JAMB	THRESHOLD	FRAME	FIRE RATING	HARDWARE SET	REMARKS
01	3'-0"x7'-0"x1-3/4"	ALUMINUM	B	1	2	T-1	2	---	HW-2	PROVIDE PANIC HARDWARE
02	3'-0"x7'-0"x1-3/4"	ALUMINUM	B	1	2	T-1	2	---	HW-2	PROVIDE PANIC HARDWARE
03	3'-0"x7'-0"x1-3/4"	METAL	A	3	4	---	1	1HR. B LABEL	HW-8	
04	3'-0"x 7'-0"x1-3/4"	METAL	A	3	4	T-2	1	1HR. B LABEL	HW-8	
05	3'-0"x 7'-0"x1-3/4"	METAL	A	3	4	---	1	---	HW-5	
06	3'-0"x 7'-0"x1-3/4"	METAL	B	3	4	---	1	---	HW-6	
07	3'-0"x7'-0"x1-3/4"	WOOD	B	3	4	T-3	1	---	HW-9	PROVIDE PANIC HARDWARE
08	3'-0"x7'-0"x1-3/4"	METAL	B	3	4	---	1	---	HW-6	
09	3'-0"x7'-0"x1-3/4"	METAL	B	3	4	---	1	---	HW-6	
10	3'-0"x7'-0"x1-3/4"	METAL	B	3	4	---	1	---	HW-6	
11	3'-0"x7'-0"x1-3/4"	METAL	A	3	4	T-2	1	---	HW-7	
12	PR3'-0"x7'-0"x1-3/4"	WOOD	D	3	4	T-3	4	---	HW-3	PROVIDE PANIC HARDWARE
13	3'-0"x7'-0"x1-3/4"	METAL	B	3	4	---	1	---	HW-8	
14	PR3'-0"x7'-0"x1-3/4"	WOOD	D	3	4	T-3	4	---	HW-3	PROVIDE PANIC HARDWARE
15	3'-0"x7'-0"x1-3/4"	METAL	A	3	4	T-2	1	---	HW-7	
16	3'-0"x7'-0"x1-3/4"	METAL	A	3	4	T-2	1	---	HW-4	
17	3'-0"x7'-0"x1-3/4"	METAL	A	3	4	---	1	---	HW-4	
18	3'-0"x7'-0"x1-3/4"	WOOD	B	3	4	---	1	---	HW-10	
19	3'-0"x7'-0"x1-3/4"	METAL	B	3	4	T-3	1	---	HW-10	
20	3'-0"x7'-0"x1-3/4"	METAL	B	3	4	T-3	1	---	HW-10	
21	3'-0"x7'-0"x1-3/4"	METAL	B	3	4	---	1	---	HW-6	
22	3'-0"x7'-0"x1-3/4"	METAL	B	3	4	---	1	---	HW-6	
23	3'-0"x7'-0"x1-3/4"	METAL	A	3	4	---	1	---	HW-4	
24	3'-0"x7'-0"x1-3/4"	METAL	A	3	4	---	1	---	HW-4	
25	3'-0"x7'-0"x1-3/4"	METAL	A	3	4	---	1	1HR. B LABEL	HW-8	
26	3'-0"x7'-0"x1-3/4"	WOOD	B	3	4	T-3	1	---	HW-9	PROVIDE PANIC HARDWARE
27	3'-0"x7'-0"x1-3/4"	METAL	A	3	4	T-2	1	---	HW-4	
28	PR 3'-0"x7'-0"x1-3/4"	ALUMINUM	B	1	2	T-1	2	---	HW-1	PROVIDE PANIC HARDWARE
29	PR 3'-0"x7'-0"x1-3/4"	ALUMINUM	B	1	2	T-1	2	---	HW-1	PROVIDE PANIC HARDWARE
30	PR 3'-0"x7'-0"x1-3/4"	ALUMINUM	B	1	2	T-1	2	---	HW-1	PROVIDE PANIC HARDWARE
31	PR 3'-0"x7'-0"x1-3/4"	ALUMINUM	B	1	2	T-1	2	---	HW-1	PROVIDE PANIC HARDWARE

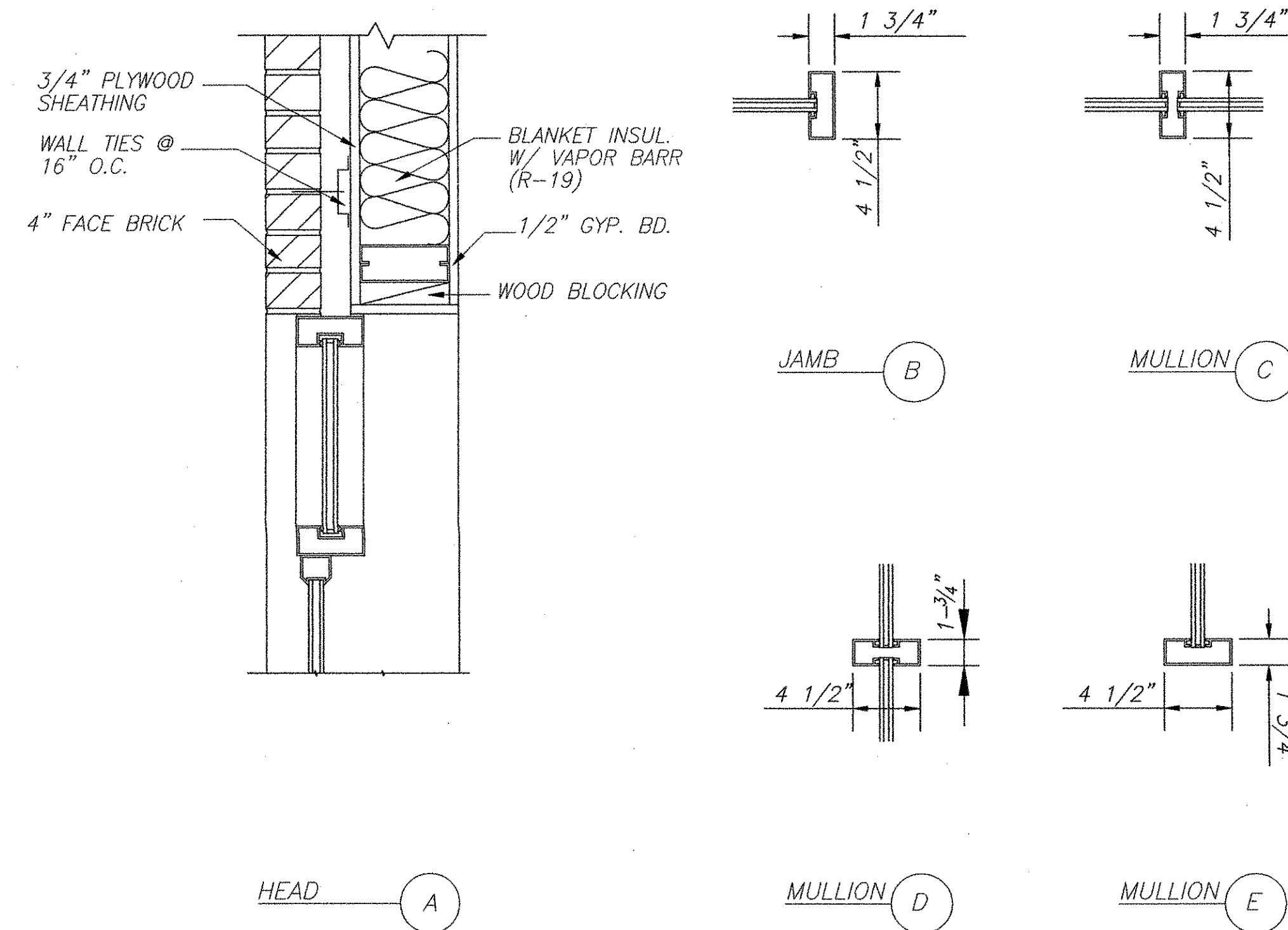
**DOOR DETAILS**



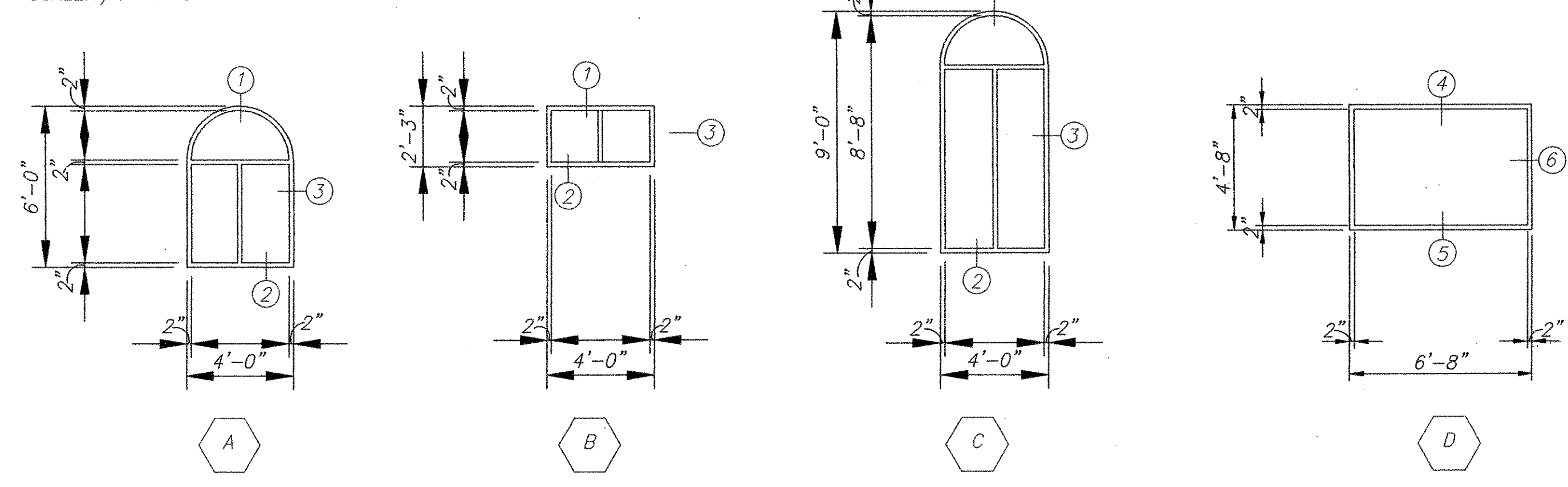
**ALUMINUM STOREFRONT**  
SCALE: 1/4"=1'-0"



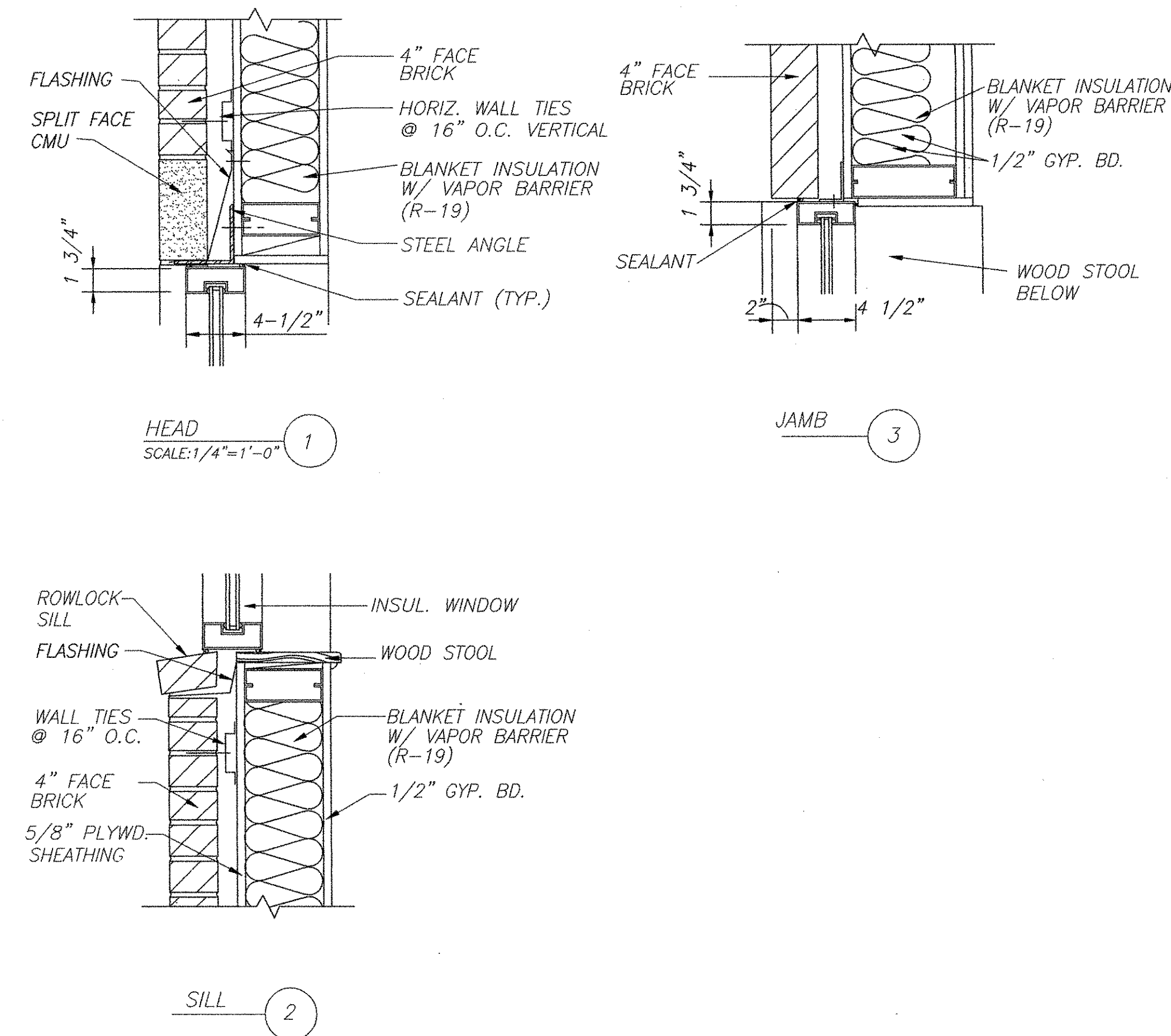
**STOREFRONT DETAILS**  
SCALE: 1/4"=1'-0"



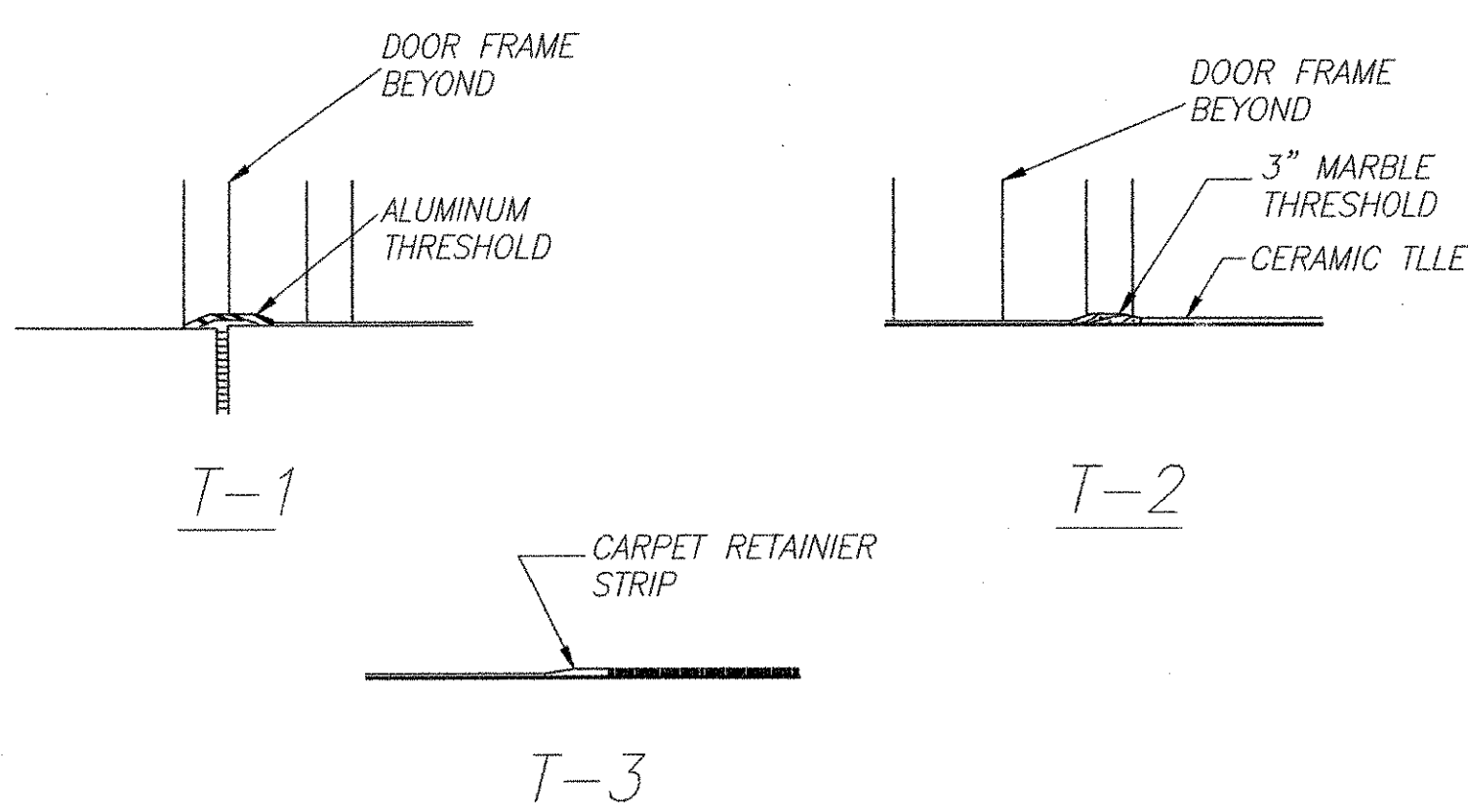
**WINDOW TYPES**  
SCALE: 1/4"=1'-0"



**WINDOW DETAILS**  
SCALE: 1/4"=1'-0"



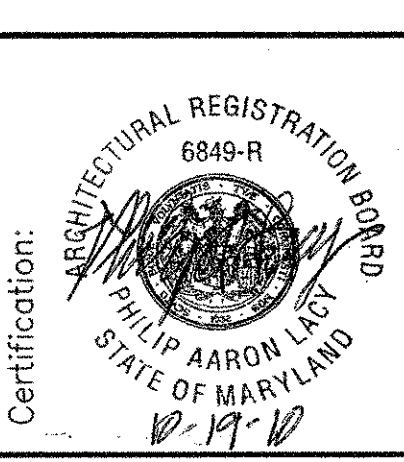
**THRESHOLD TYPES**  
NO SCALE



Copyright 2004 Philip Aaron Lacy, Architect. All rights reserved. No portion of this document may be reproduced without written permission.

Date: \_\_\_\_\_  
Revisions: \_\_\_\_\_

Consultants: \_\_\_\_\_



Project Title:  
**MIRACLE TEMPLE ASSEMBLY OF GOD**  
14111 ALDERTON ROAD  
SILVER SPRING, MARYLAND 20906

Philip Aaron Lacy, Architects  
6188 Oxon Hill Road, Suite 303  
Oxon Hill, Maryland 20745  
Phone: 301-567-8223

Date: OCT. 12, 2010  
Scale: 1/4"=1'-0"  
Drawn: FCB  
Checked: PAL  
File No. MTAG\_A09

Drawing No.  
**A-9**

Professional Certification: I hereby certify that these documents were prepared or approved by me, and that I am duly licensed professional architect under the laws of the State of Maryland Architectural License number 6849 with expiration date of 11/18/2011.