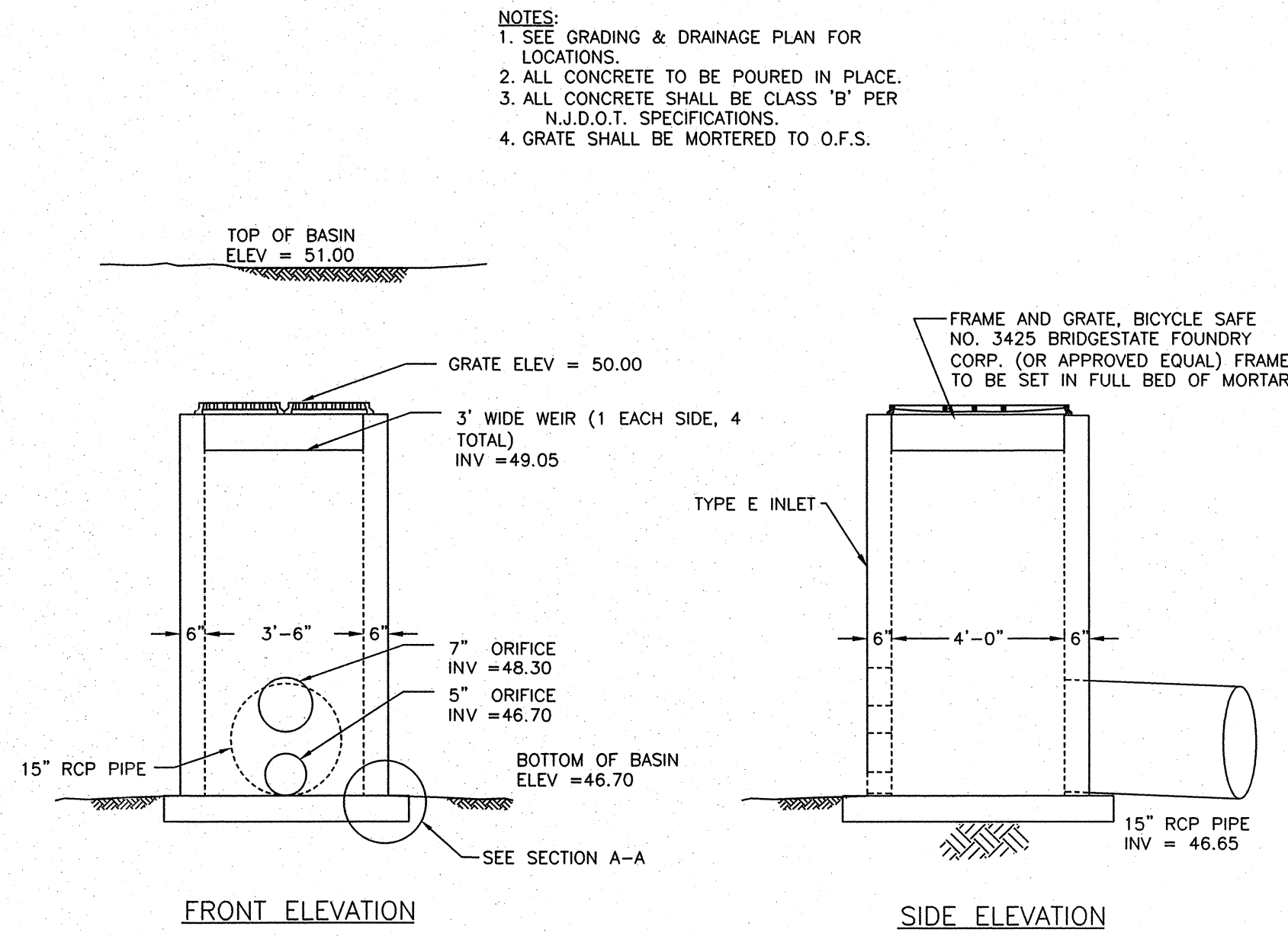
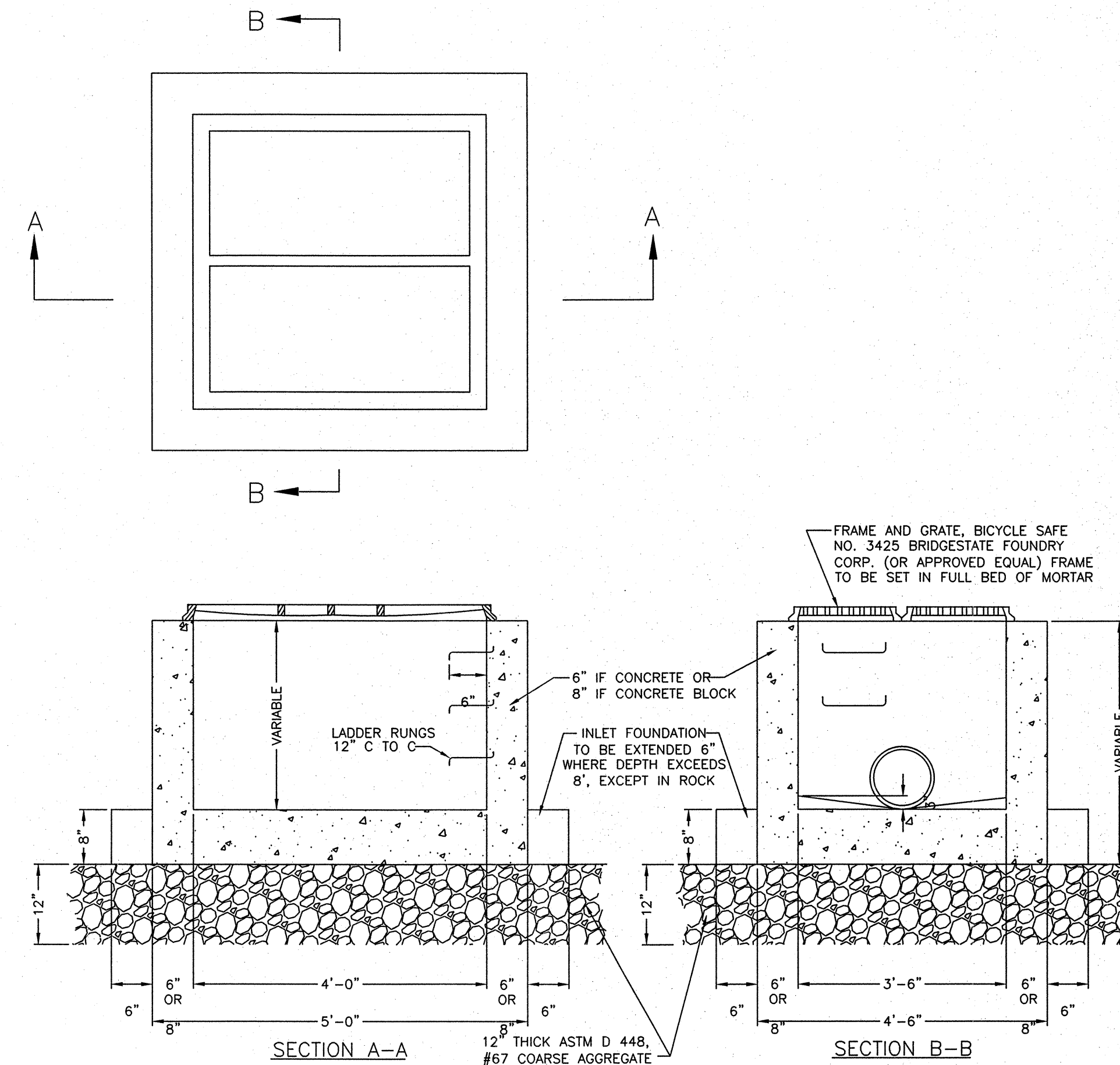


ROOF DRAIN CLEAN OUT DETAIL
N.T.S.

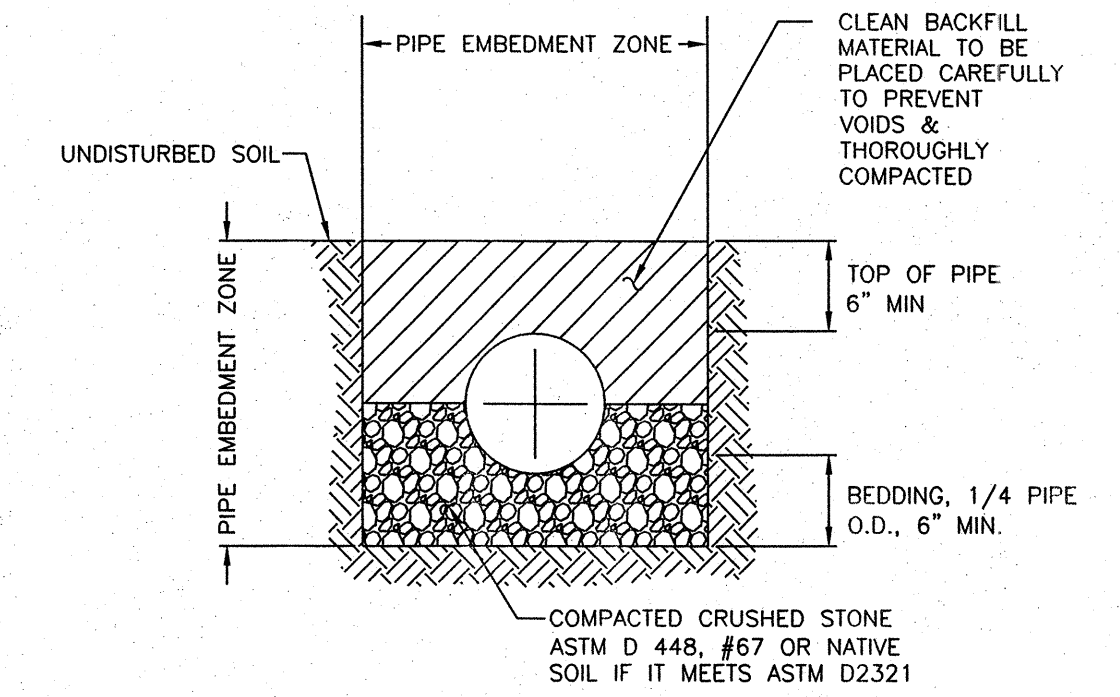


NOTES:
1. STRUCTURE TO MEET THE REQUIREMENTS OF ASTM SPEC. C-913 "PRECAST CONCRETE WATER AND WASTEWATER STRUCTURES".

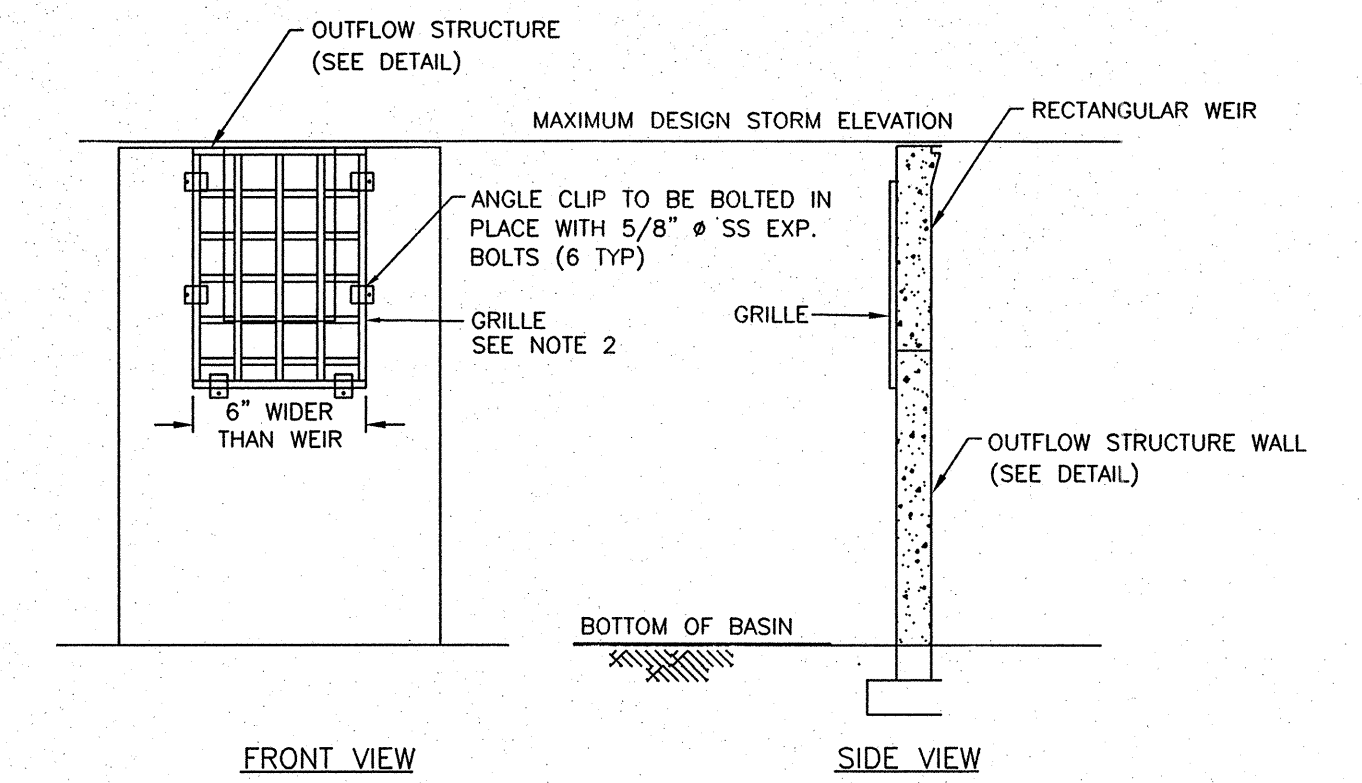
PRECAST OUTFLOW STRUCTURE DETAIL
N.T.S.



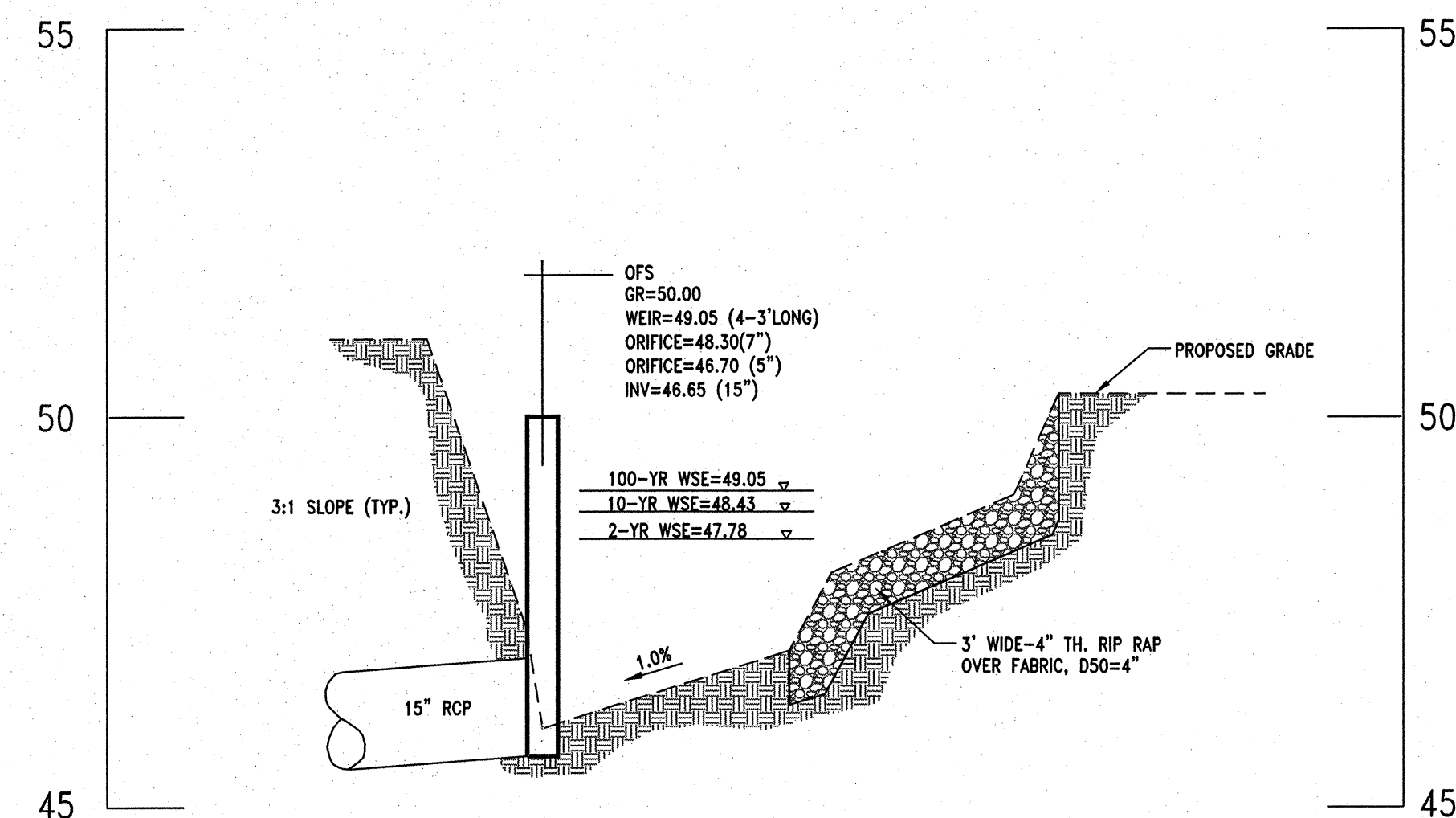
TYPE E INLET DETAIL
N.T.S.



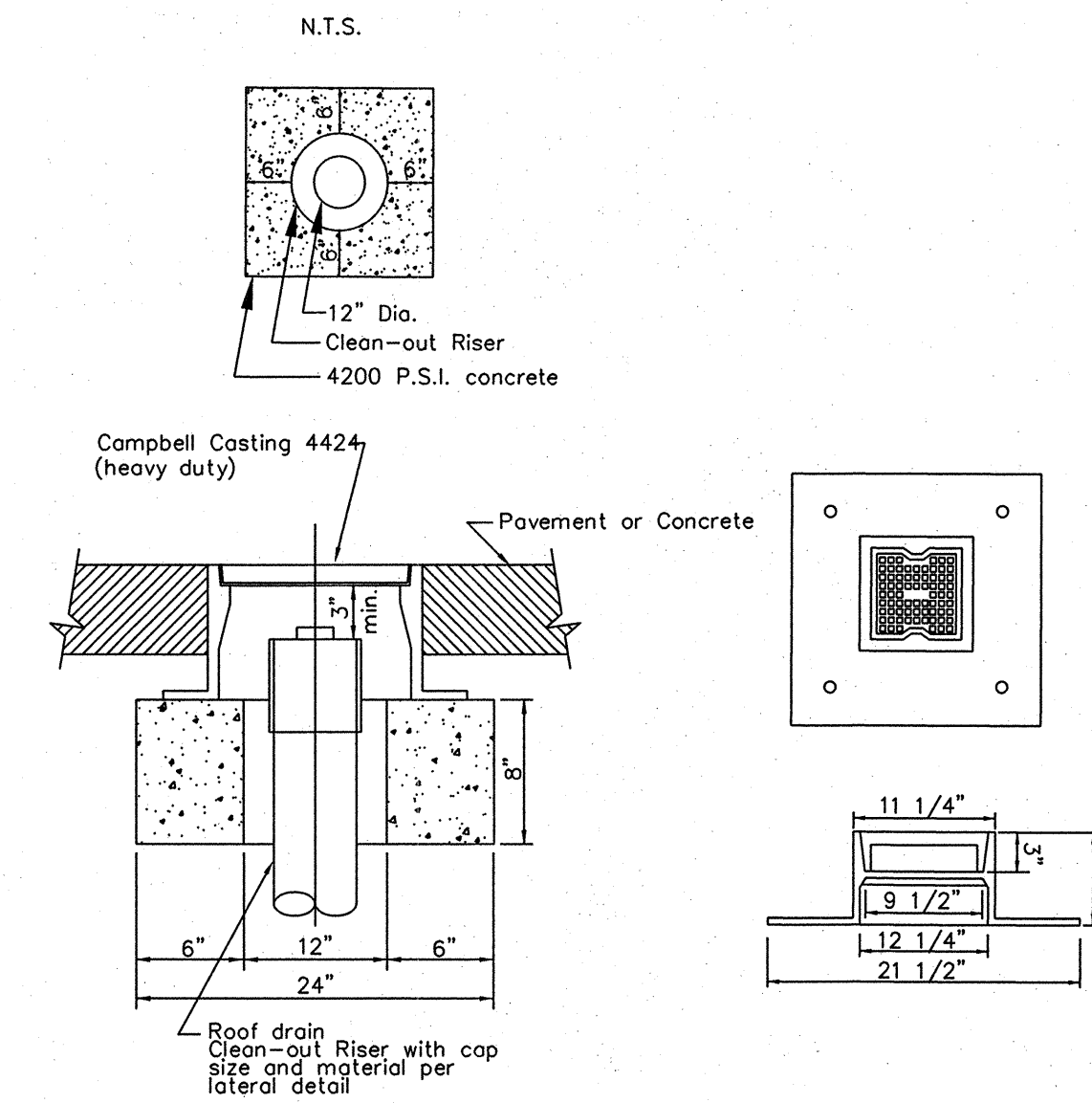
CRUSHED STONE BEDDING CLASS "C" MODIFIED BEDDING
N.T.S.



TRASH GRILL DETAIL
N.T.S.



BASIN CROSS SECTION DETAIL
SCALE: HORZ. 1"=20'
VERT. 1"=2'



CLEAN OUT PROTECTION BOX DETAIL
N.T.S.

STORM SEWER DETAILS

NORTH CLINTON CHURCH OF CHRIST
PLATE 215, BLOCK 21501, LOT 31 & BLOCK 21503, LOTS 9, 10 & 11
SITUATE IN
CITY OF TRENTON
COUNTY OF MERCER, STATE OF NEW JERSEY

SITE CIVIL ENGINEERING
213 CHERRY TREE COURT
FRANKLINVILLE, NEW JERSEY 08322
(856) 885 - 8679
FAX (856) 513 - 6594

FILE NUMBER 2009-107	<p>WILLIAM P. GILMORE, P.E. DATE _____ NEW JERSEY PROFESSIONAL ENGINEER NO. 246E4783100</p>						
CHECKED BY: WG							
DRAWN BY: TL							
REV.	DATE	DESCRIPTION	BY	SCALE: N.T.S.	PROJECT NO. 2009 - 107	DATE: OCTOBER 19, 2009	SHEET NO. 12 of 13