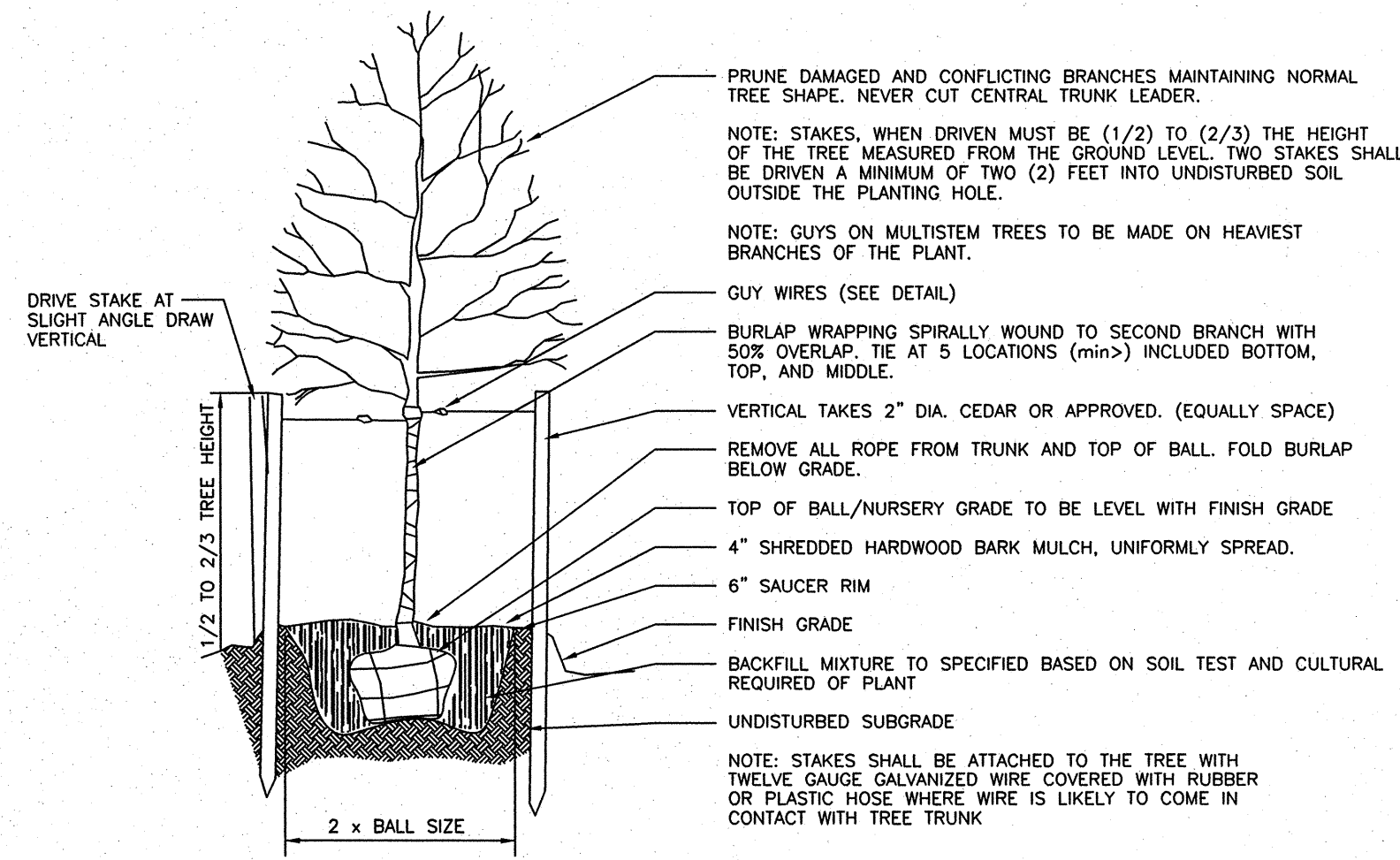


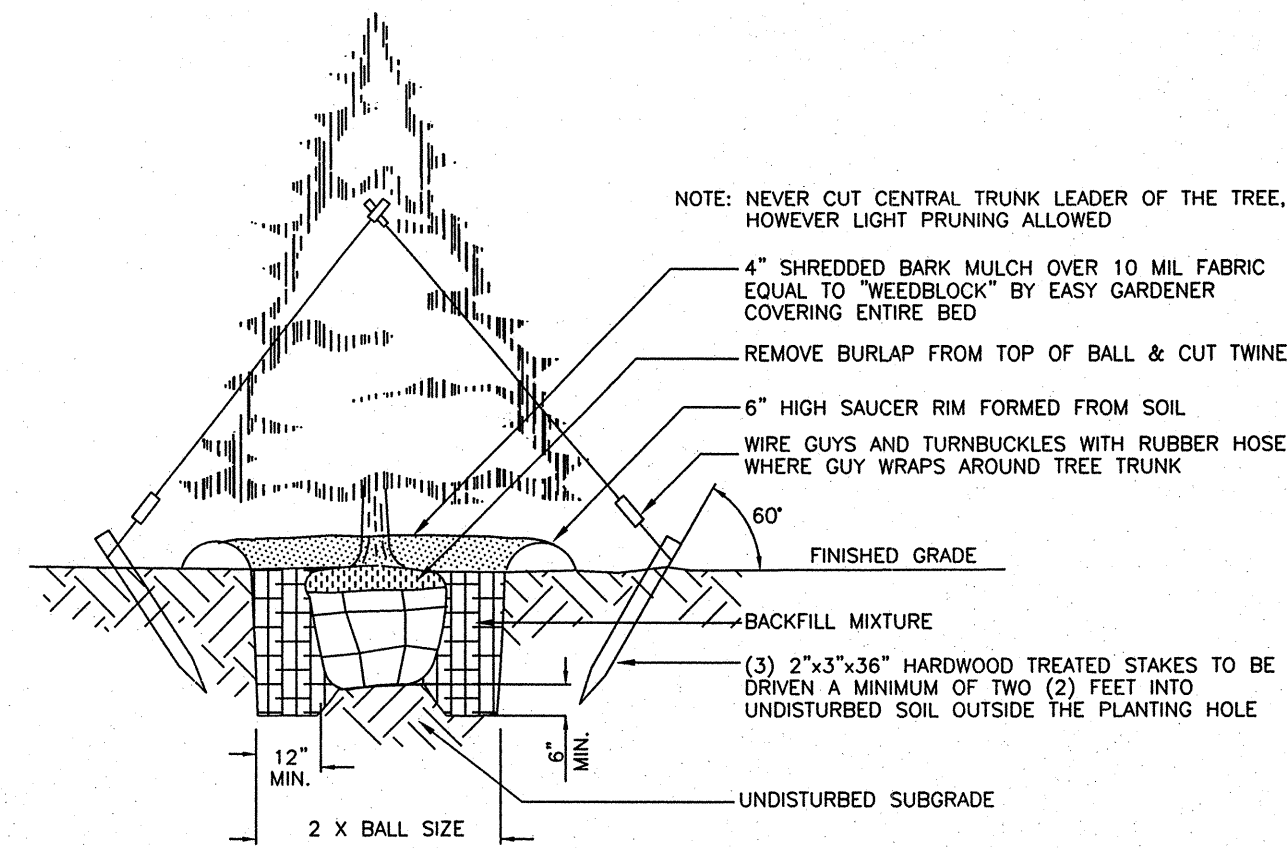
EVERY EFFORT SHOULD BE MADE TO BACKFILL PLANTING HOLES WITH TOPSOIL NATIVE TO THE SITE. IN CASES WHERE NATIVE TOPSOIL IS FOUND UN SUITABLE TO SUSTAIN PLANT GROWTH, A BACKFILL MIXTURE CONSISTING OF THE FOLLOWING MAY BE SUBSTITUTED.

BY VOLUME	MATERIAL
40	NATIVE TOP SOIL
30	"EARTHLIFE" COMPOST (OR APPROVED EQUAL)
30	COARSE SAND

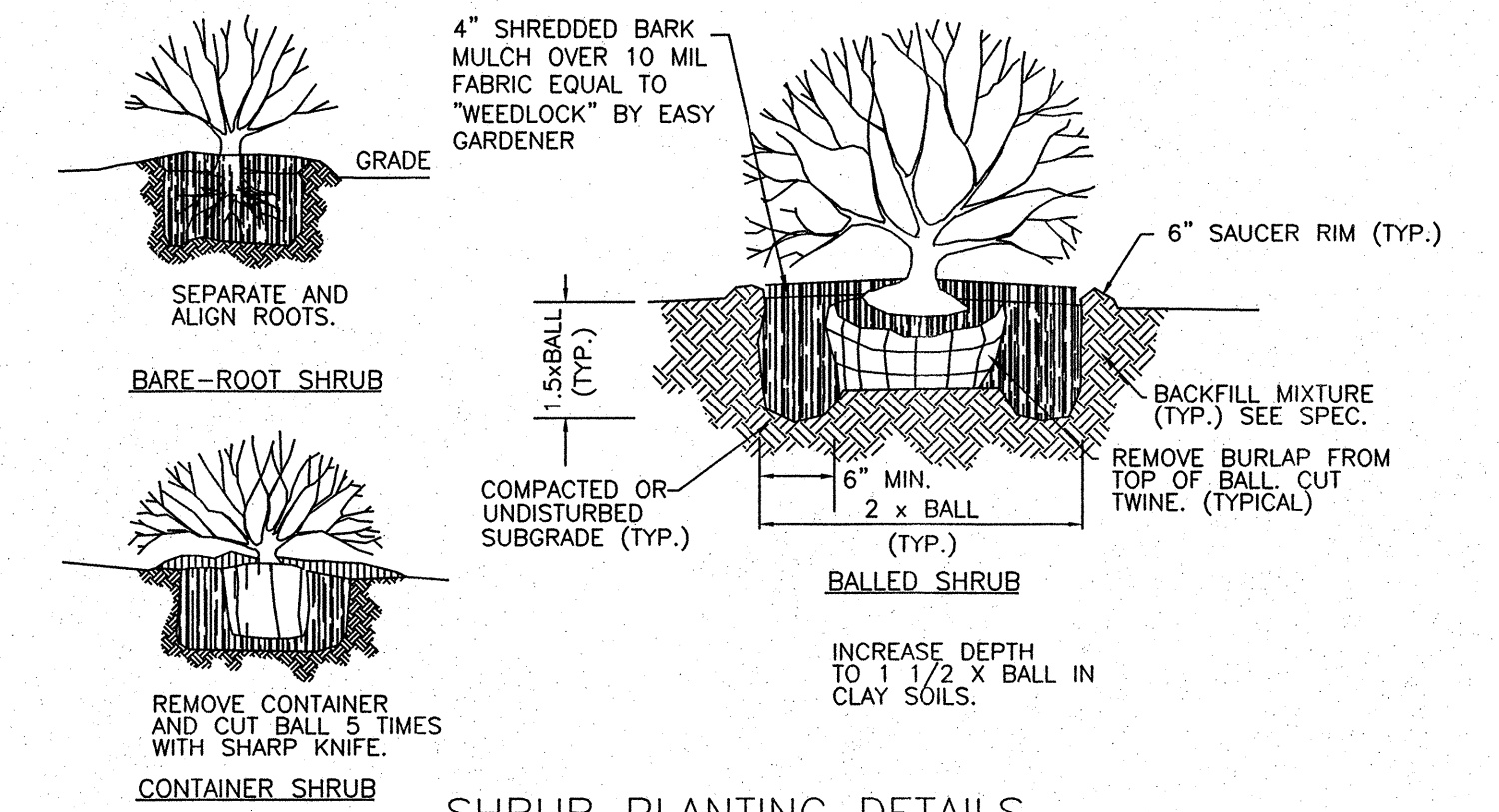
PLANTING BACKFILL MIX SPECIFICATION  
N.T.S.



DECIDUOUS TREE PLANTING DETAIL  
N.T.S.



EVERGREEN TREE PLANTING DETAIL  
N.T.S.



SHRUB PLANTING DETAILS  
N.T.S.

**PHILIPS EMCO INFINITY II**

**SPECIFICATIONS**

**GENERAL DESCRIPTION:** The Infinity II is a rectangular full cutoff luminaire for high intensity discharge lamps. Internal components are fully enclosed, sealed, dust-tight and corrosion resistant. Arm mounted units attach to pole with no visible hardware or wiring.

**HOUSING:** Extruded housing features four precisely milled aluminum side sections. The top plate is sheet aluminum, covered for strength and water runoff. The top is sealed to the housing and sealed for weather-tight integrity.

**LENS:** A milled, extruded, anodized aluminum door frame retains the specially clear, heat and impact resistant, tempered flat glass in a sealed manner. Access to the housing requires no tools.

**OPTICAL SYSTEMS:** The segmented reflector system consists of individually formed aluminum lenses precisely aligned to provideIES Type II, Type II, Type V, Type V or Forward Throw lighting distributions.

**MOUNTING:** Lampholders are glass porcelain with nickel plated screw shells. Lampholders are designed for mogul base lamps except 150W and lower metal halide units, which feature medium base lampholders. All mogul base lampholders in metal housings with an optional stainless steel and MSU units all feature pole-mounted lampholders.

**ELECTRICAL:** Each high power factor ballast is the separate component type, capable of providing remote lamp starting down to 20° F. Components are component wiring within the luminaire will carry no more than 80% of rated current and is listed to UL for use at 600 VAC, 150° or higher. Plug disconnects are listed to UL for use at 600 VAC, 15A or higher.

**FINISH:** Extruded units are offered with natural, bronze or black non-reflecting anodized finish applied after fabrication. Powdercoat finishes are also available.

**LABELS:** All luminaires bear UL or CUL (where applicable) Wet Location labels.

**WARRANTY:** Emco luminaires feature a 1 year limited warranty. See Warranty information on www.lighting.com for complete details and exclusions.

**PHILIPS EMCO reserves the right to change materials or modify the design of its product without notification, as part of the company's continuing product improvement program.**

Dimensions (in./mm)	EPA - Effective Projected Area (ft <sup>2</sup> /m <sup>2</sup> )			
	1	2	3	4
Housing	A	B	C	D
Size	Width	Depth	Height	Area
PAES (Small)	19.181	21.183	4.4	18.36
PAEM (Medium)	27.168	4.4	18.36	81.72
PAEL (Large)	29.176	13.2	18.36	81.72

Philips Emco 1011 Clinton Church Road, San Marcos, CA 92068 (800) 221-0758 (915) 753-0200 FAX: (915) 753-0200 www.lighting.com

LIGHT CUT SHEETS  
N.T.S.

**PHILIPS EMCO INFINITY II**

**GENERAL DESCRIPTION:** The Infinity II from Philips Emco is a rectangular area luminaire which provides full cutoff, even illumination, and uniformity. Housing are manufactured in rigid extruded aluminum. All units are thoroughly sealed and gasketed to prevent intrusion of moisture, dust, pollutants, and insects. Four (4) segmented aluminum optical systems are available, providing the desired photometric distribution and illumination levels.

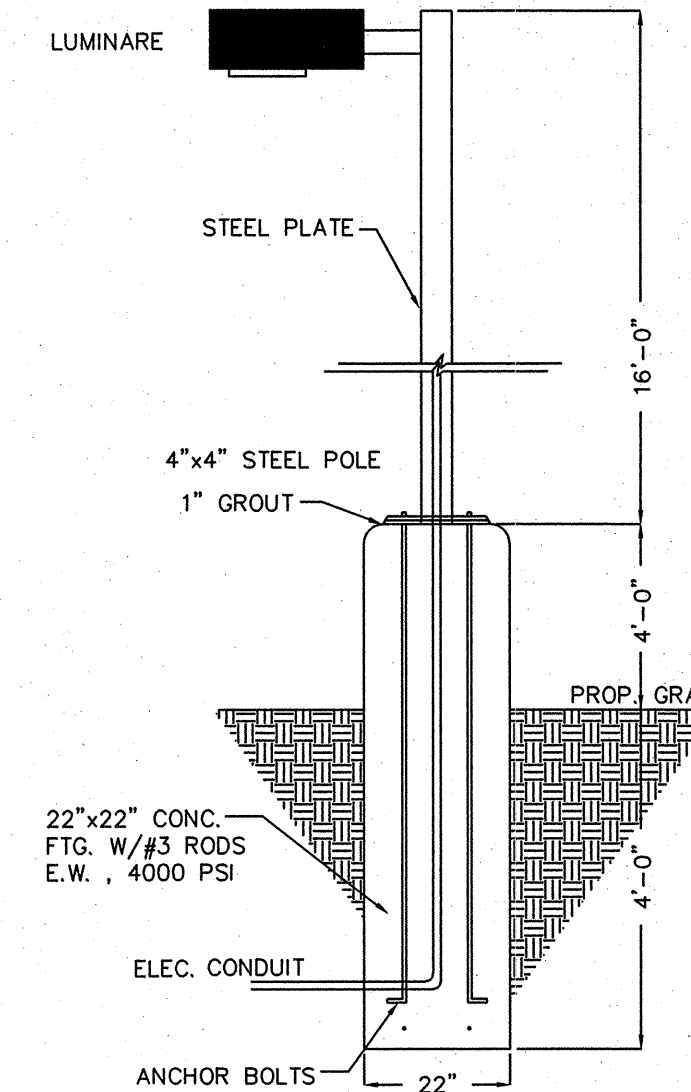
**CUTOFF PERFORMANCE:** Infinity II luminaires provide full cutoff performance.

FINISH	DESCRIPTION
BRP	Brushed Aluminum
BLP	Black Anodized
WPA	White Anodized
MA	Marine Aluminum Anodized
OC	Optional Clear Paint
OC	Optional Clear Paint
OC	Optional Clear Paint
OC	Optional Clear Paint

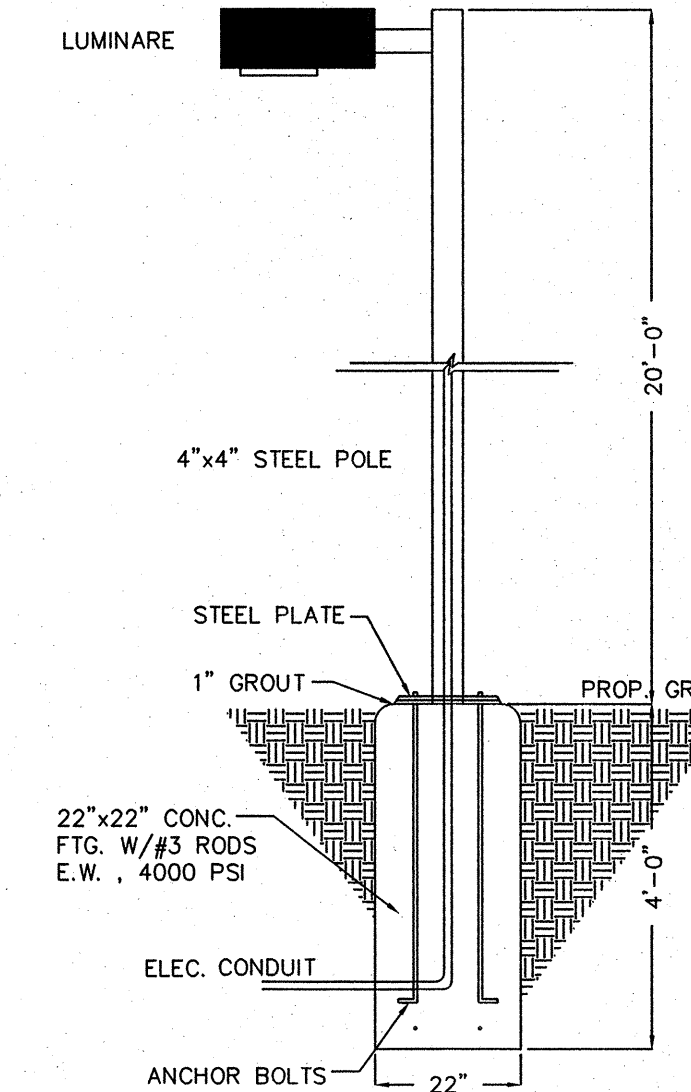
**OPTIONS**

F	Fluorescent	FF1	Fluor-Triples 2' x 4'
LF	Low Frequency Fluorescent (not available in USA)	FF2	Fluor-Triples 2' x 2' x 4'
PC	Polychromatic Fluorescent (not available in USA)	FF3	Fluor-Triples 2' x 2' x 4'
PL	Low Power Fluorescent (not available in USA)	FF4	Fluor-Triples 2' x 4' x 4'
AT	Assembled (not available in USA)		

Philips Emco 1011 Clinton Church Road, San Marcos, CA 92068 (800) 221-0758 (915) 753-0200 FAX: (915) 753-0200 www.lighting.com



TYPICAL LIGHT STANDARD FOR PAVED AREA  
N.T.S.



TYPICAL LIGHT STANDARD FOR LANDSCAPING AREA  
N.T.S.

**LANDSCAPING & LIGHTING DETAILS**

**NORTH CLINTON CHURCH OF CHRIST**  
PLATE 215, BLOCK 21501, LOT 31 & BLOCK 21503, LOTS 9, 10 & 11  
SITUATE IN  
CITY OF TRENTON  
COUNTY OF MERCER, STATE OF NEW JERSEY

**SITE CIVIL ENGINEERING**  
213 CHERRY TREE COURT  
FRANKLINVILLE, NEW JERSEY 08322  
(856) 885 - 8679  
FAX (856) 913 - 6594

FILE NUMBER	2009-107
CHECKED BY: WG	<b>WILLIAM P. GILMORE, P.E.</b> DATE
DRAWN BY: TL	
SCALE: N.T.S.	PROJECT NO. 2009 - 107
DATE: OCTOBER 19, 2009	SHEET NO. 13 of 13