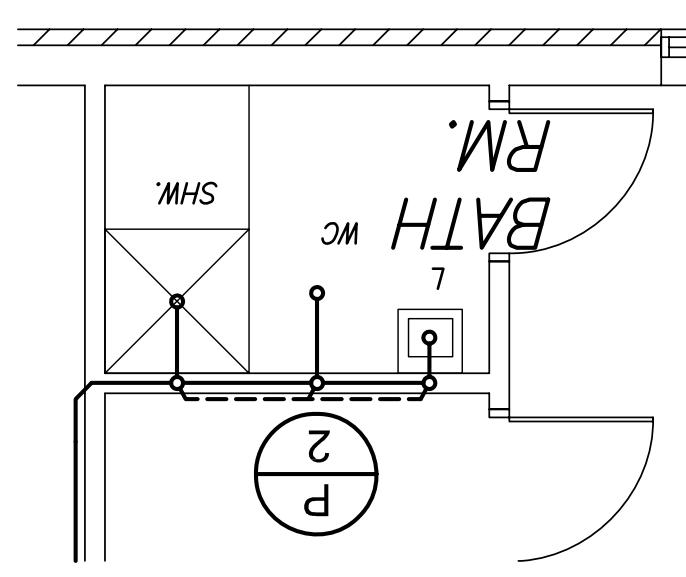
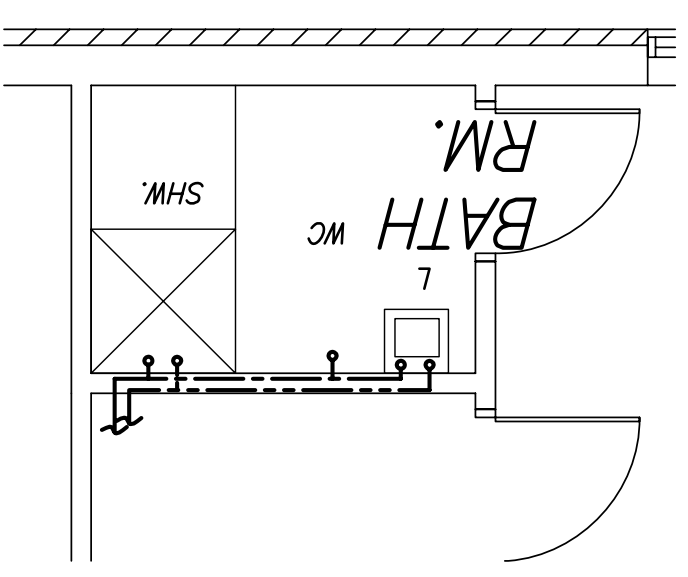


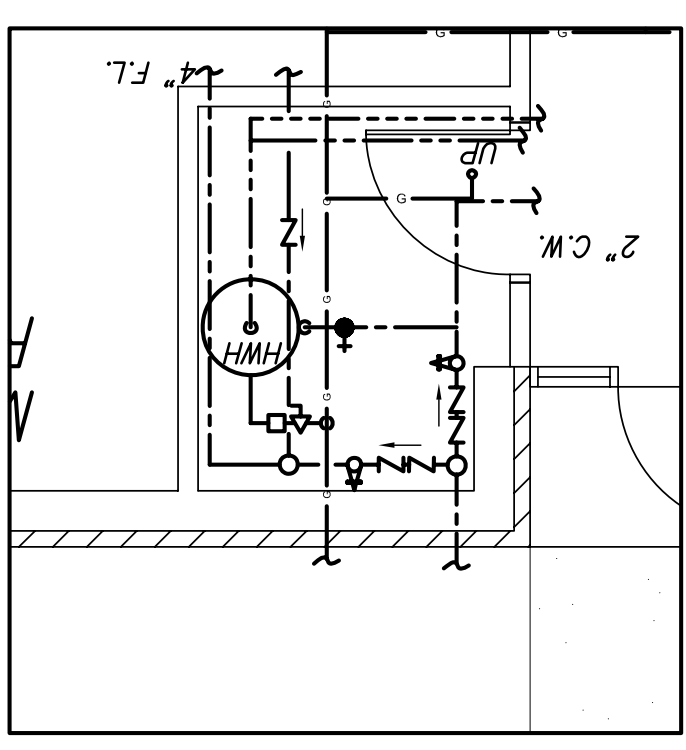
P 2 PASTOR TOILET PLUMB. PLANS
SCALE: 1/4"=1'-0"
SANITARY



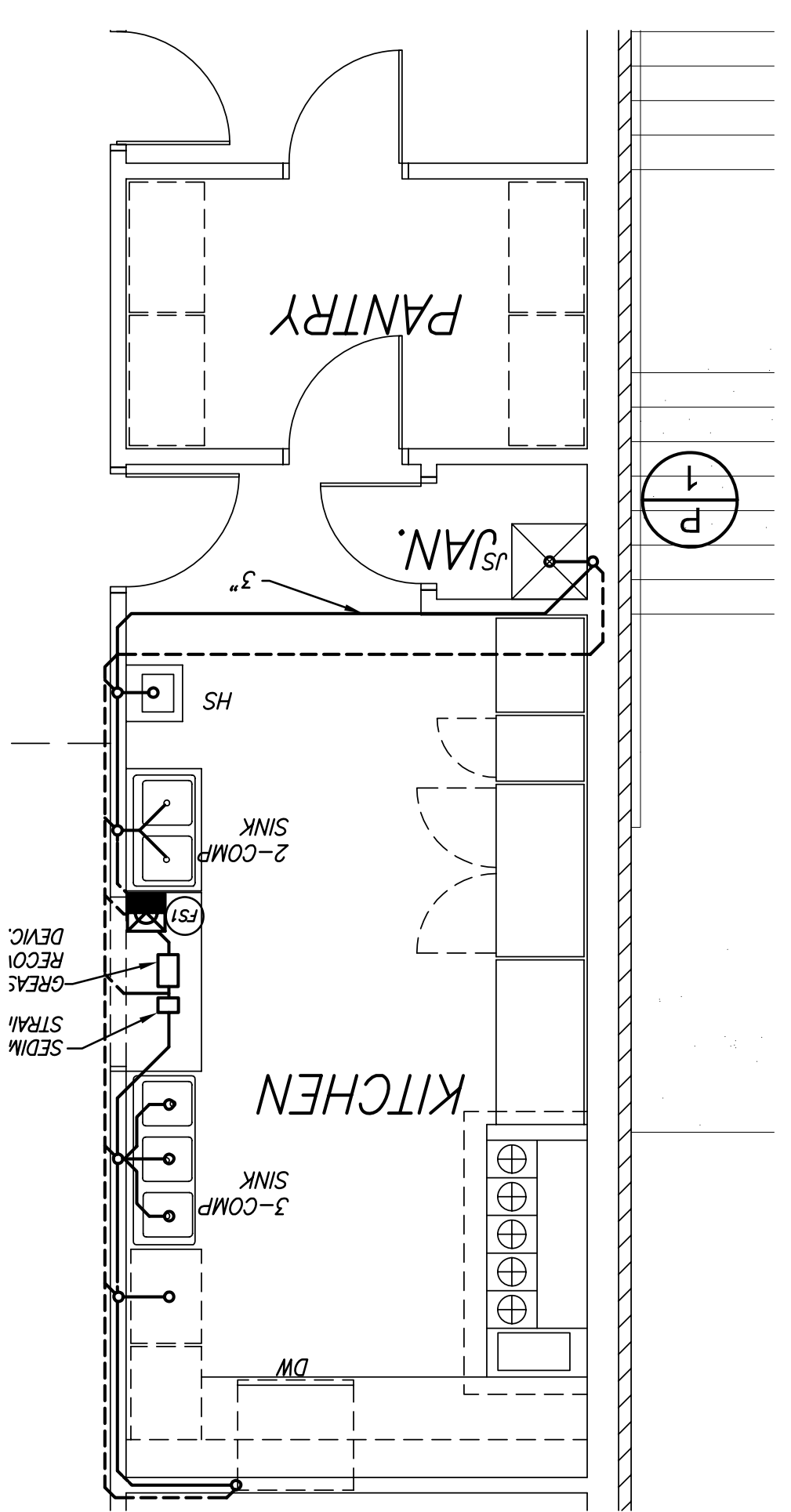
P 2 PASTOR TOILET PLUMB. PLANS
SCALE: 1/4"=1'-0"
WATER



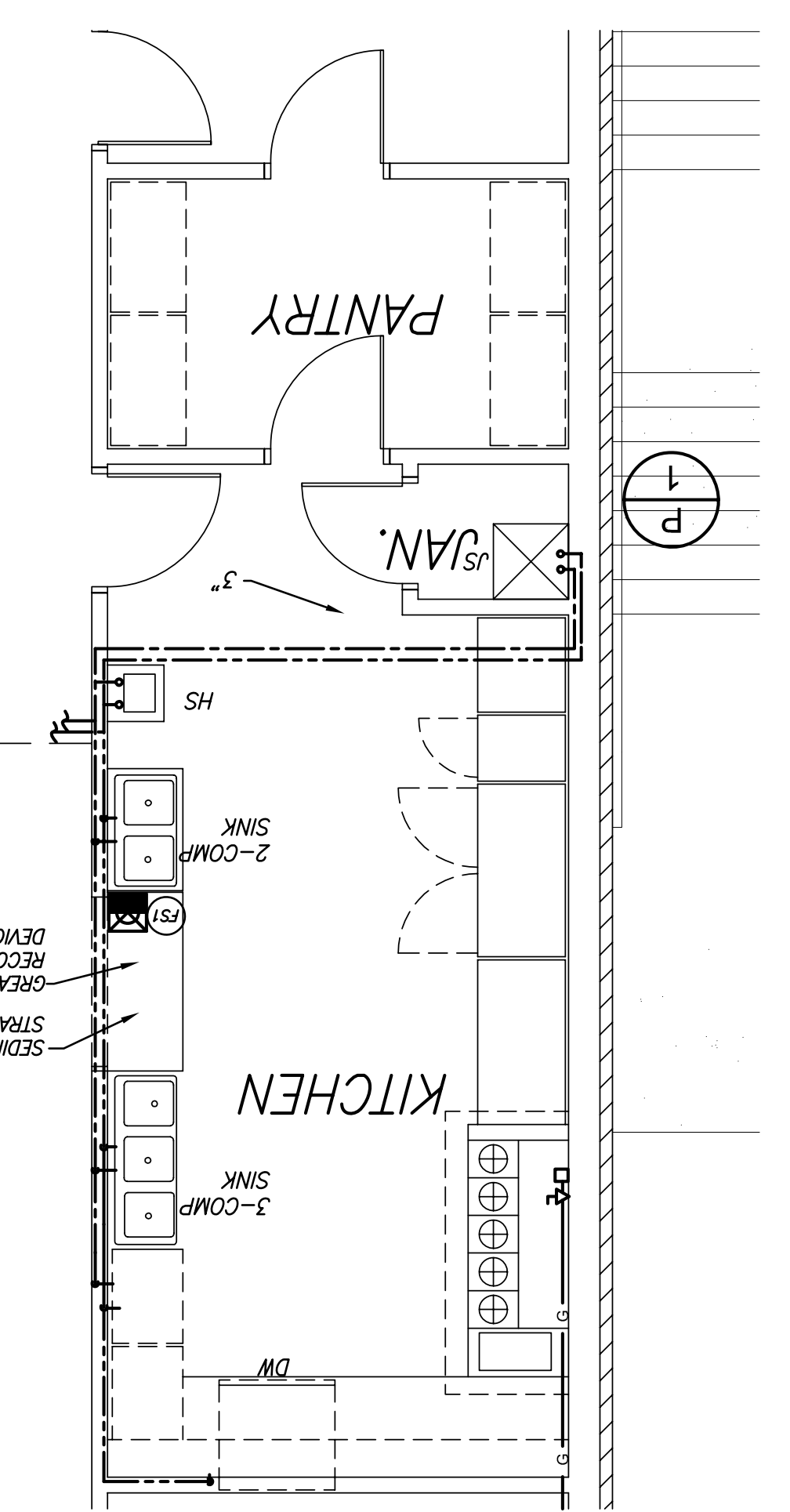
P 5 MECHANICAL ROOM PLUMB. PLANS
SCALE: 1/4"=1'-0"
WATER & GAS



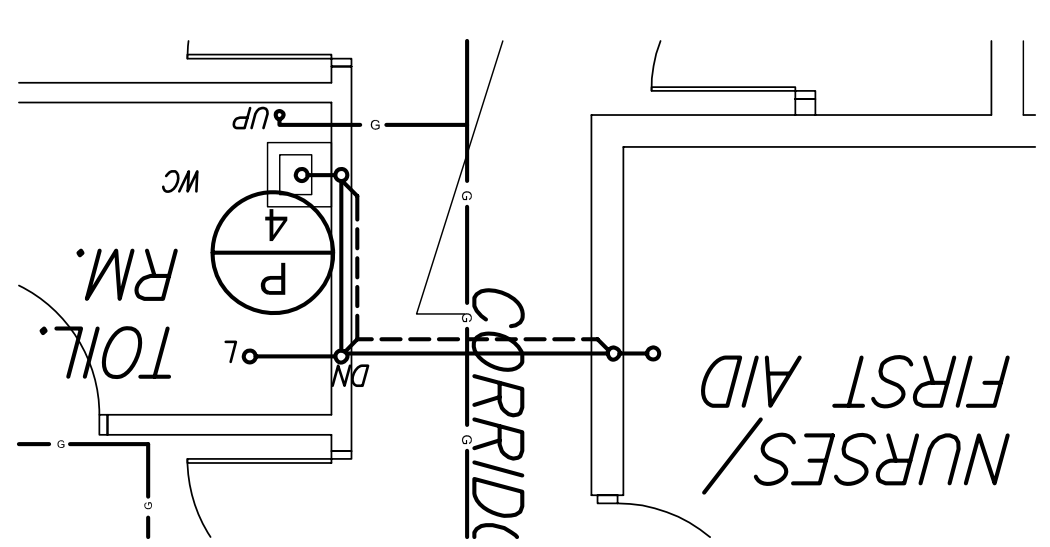
P 1 KITCHEN PLUMB. PLANS
SCALE: 1/4"=1'-0"
SANITARY



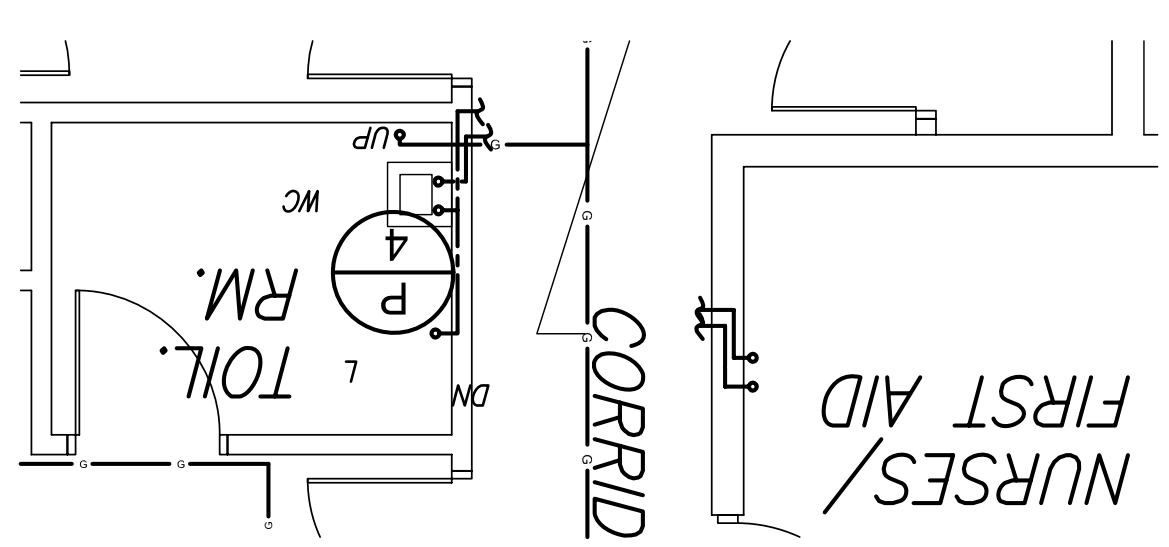
P 1 KITCHEN PLUMB. PLANS
SCALE: 1/4"=1'-0"
WATER & GAS



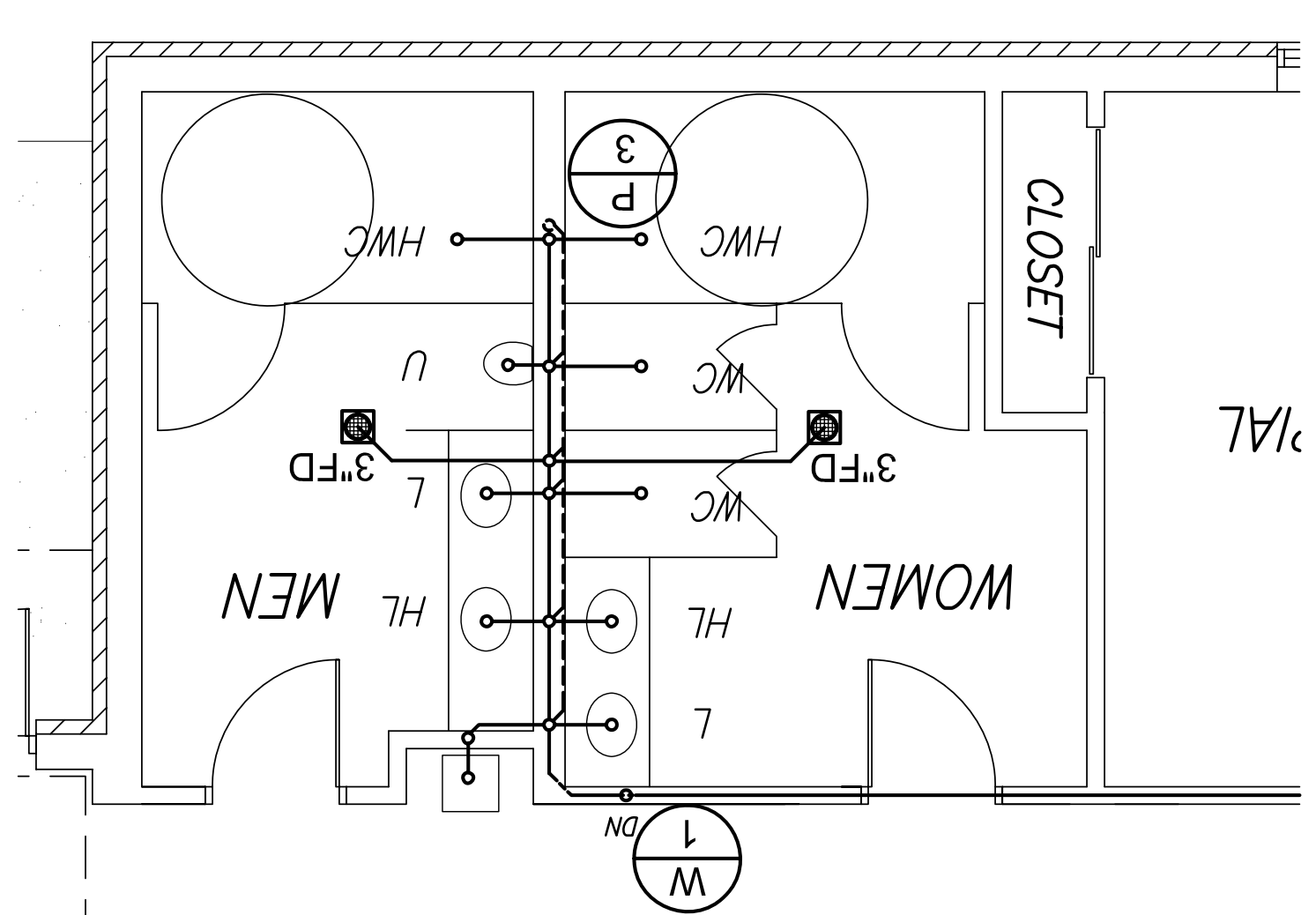
P 4 CHOIR RM. TOILET PLUMB. PLANS
SCALE: 1/4"=1'-0"
SANITARY



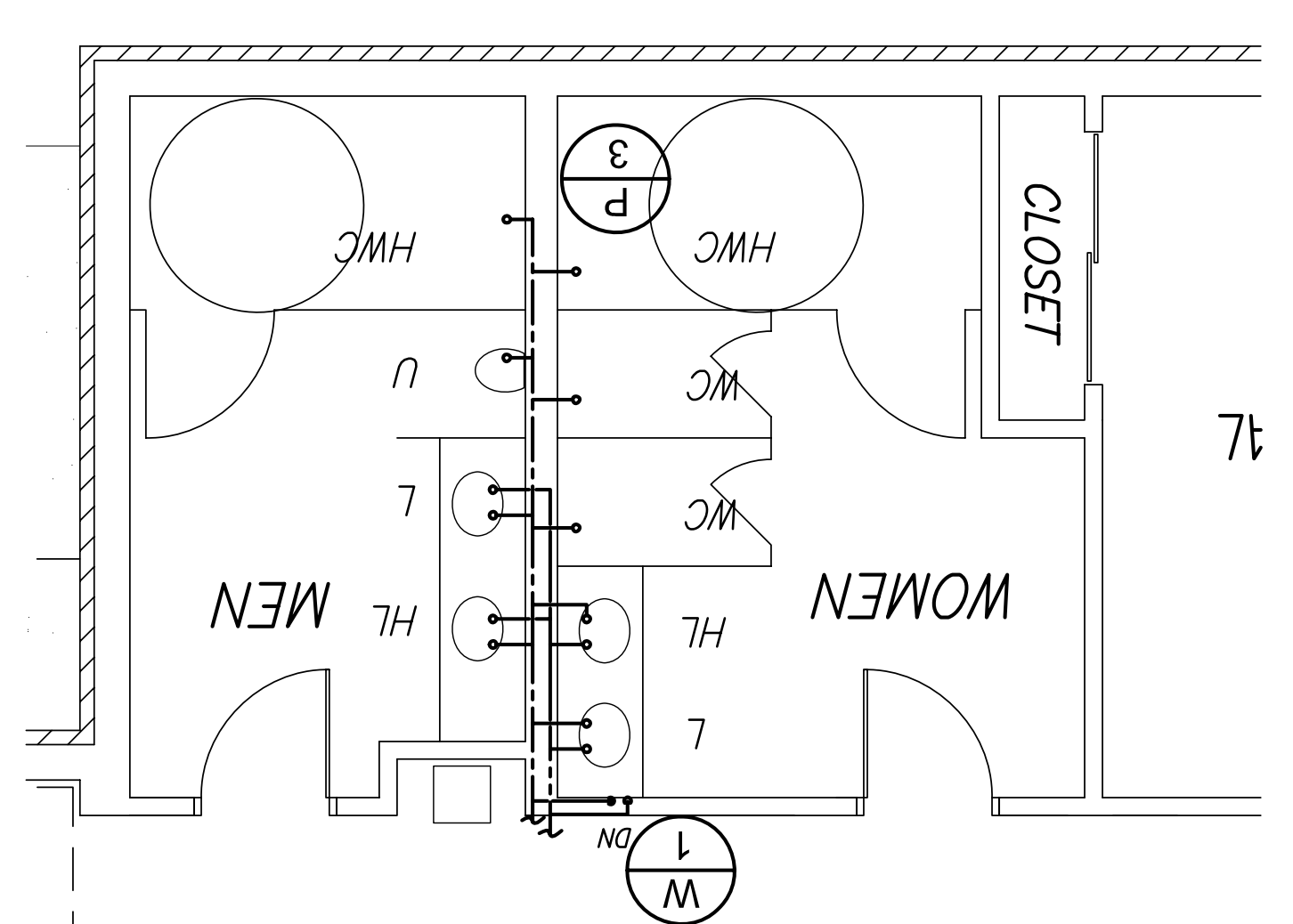
P 4 CHOIR RM. TOILET PLUMB. PLANS
SCALE: 1/4"=1'-0"
WATER



P 3 MEN/WOMANS RESTROOMS PLUMB. PLANS
SCALE: 1/4"=1'-0"
SANITARY



P 3 MEN/WOMANS RESTROOMS PLUMB. PLANS
SCALE: 1/4"=1'-0"
WATER



Drawing No. P-3

File No. BETH-P-2

Checked: C.FORD

Drawn: PAL

Scale: 1/8"=1'-0"

Date: NOV. 29, 2005

Philip Aaron Lacy, Architect
4013 21st. Place
Temple Hills, Maryland 20748
Phone: 301-894-7979

Project Title:
BETH SHALOM A.M.E. ZION CHURCH
2501 RITCHIE ROAD
DISTRICT HEIGHTS, MARYLAND 20735

PART PLUMBING FLOOR PLAN (PROPOSED)

Certification:

Engineers:
CHARLES FORD & ASSOCIATES
CONSULTING - ENGINEERS & PLANNERS
4325 GREENWAY AVE. N.W. WASH., D.C. (202) 722-4190

Revisions:	Date:
10-3-07 PERMIT	
07-8-08 PERMIT	
11/06/08 PERMIT	