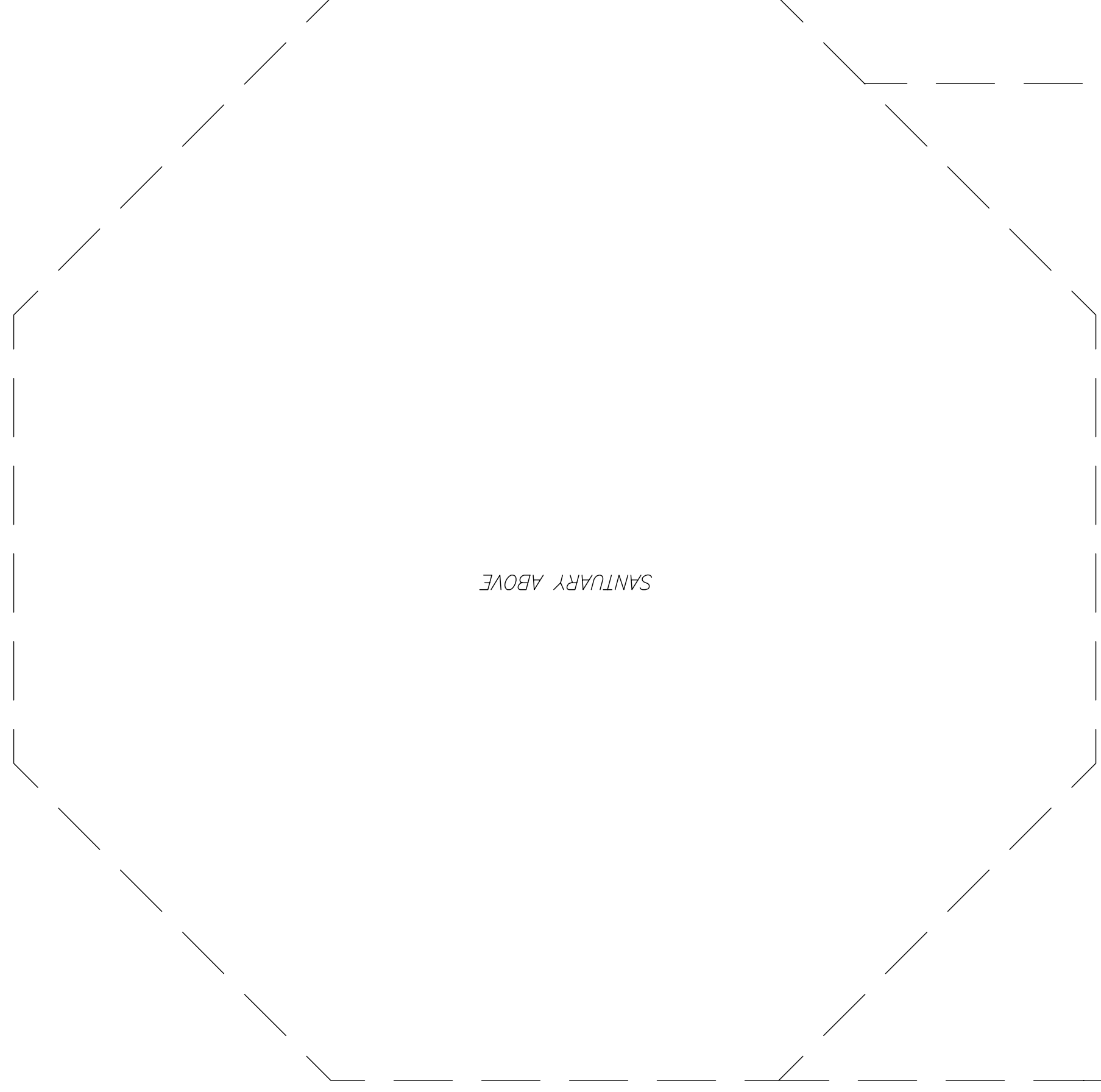
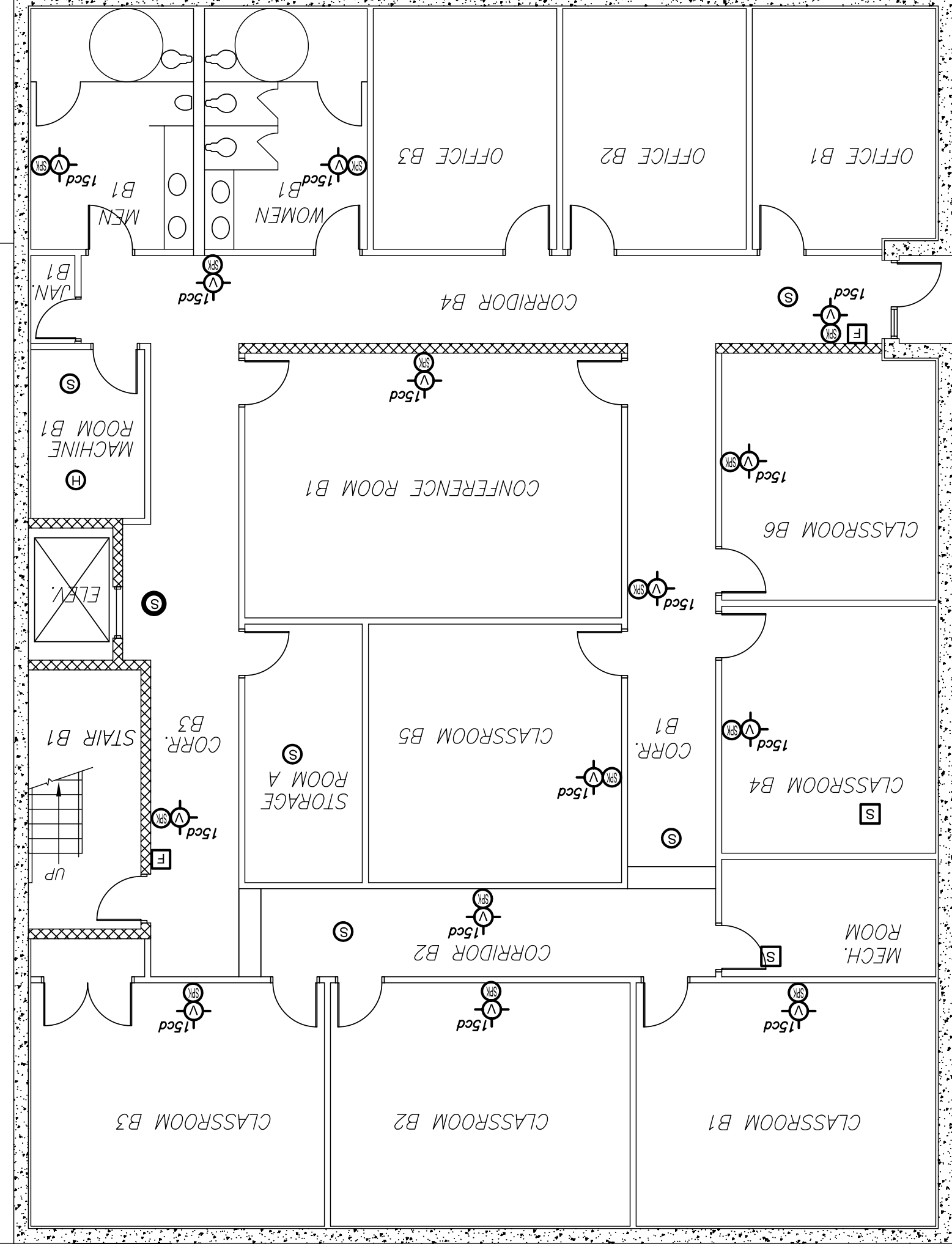


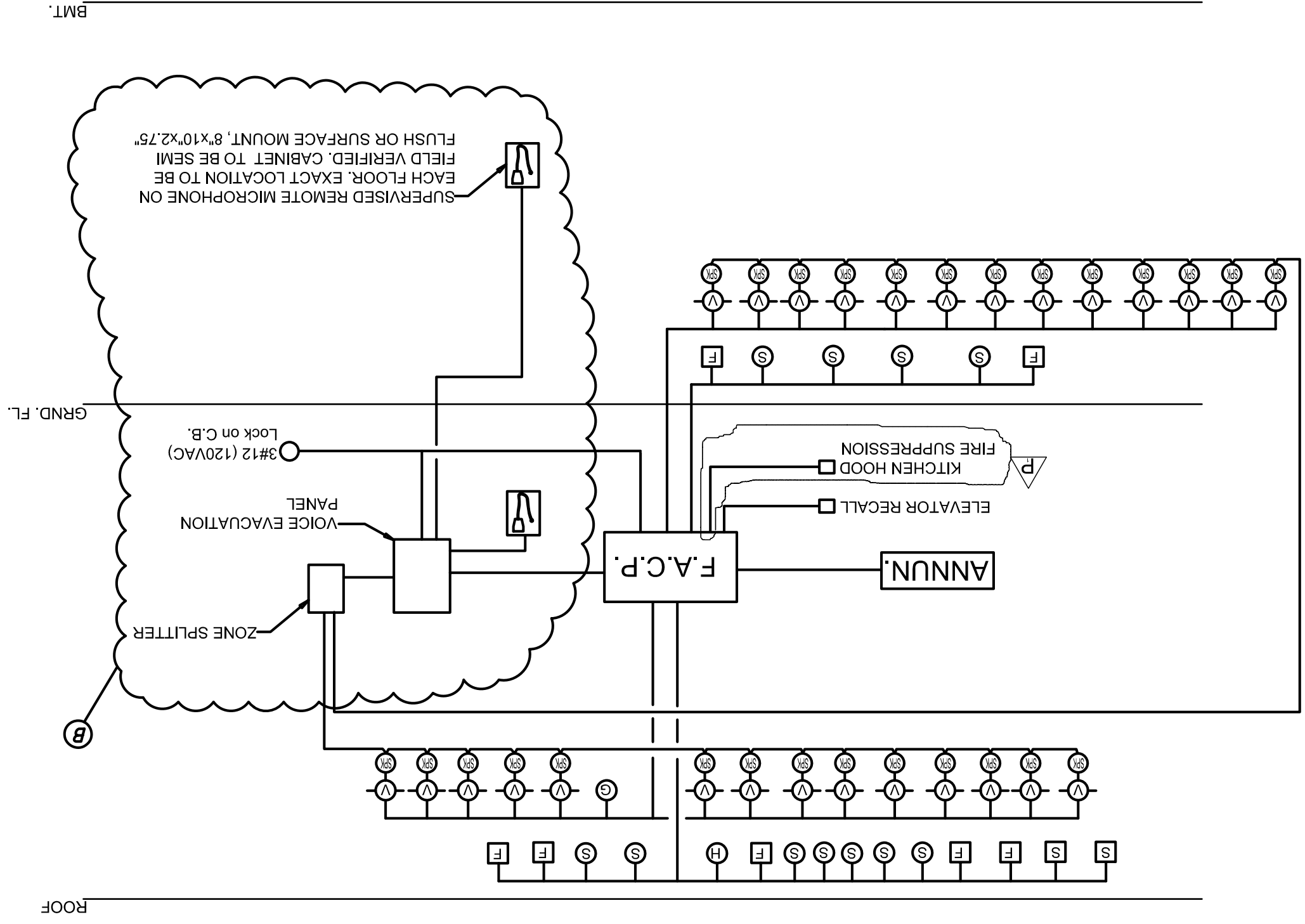
BASEMENT FLOOR PLAN - FIRE ALARM

SCALE: 1/8"=1'-0"

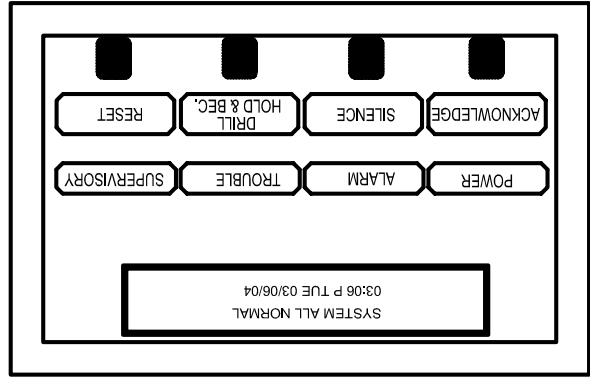


- SYMBOL LEGEND**
- ⊙ - FIRE ALARM GONG -80" A.F.F.
 - ⊙ - ELEVATOR RECALL SMOKE DETECTOR
 - ⊙ - MANUAL PULL STATION -48" A.F.F.
 - ⊙ - DUCT SMOKE DETECTOR (HVAC DUCT MTD.)
 - ⊙ - SMOKE DETECTOR (CEILING MTD.)
 - ⊙ - HEAT DETECTOR (CEILING MTD.)
 - ⊙ - VISUAL STROBE-80" A.F.F.
 - ⊙ - SPEAKERS/STROBE-80" A.F.F.
 - ⊙ - FIRE ALARM ANNUNCIATOR
 - ⊙ - F.A.C.P. - FIRE ALARM CONTROL PANEL

FIRE ALARM RISER DIAGRAM
N.T.S.



LIQUID CRYSTAL DISPLAY FIRE ANNUNCIATOR
N.T.S.



Drawing No. F-1

Date: NOV. 29, 2005
 Scale: 1/8"=1'-0"
 Drawn: PAL
 Checked: C.FORD
 File No. BETH_A01

Philip Aaron Lacy, Architect
 4013 21st. Place
 Temple Hills, Maryland 20748
 Phone: 301-894-7979

Project Title:
BETH SHALOM A.M.E. ZION CHURCH
 2501 RITCHIE ROAD
 DISTRICT HEIGHTS, MARYLAND 20735
BASEMENT FLOOR PLAN - FIRE ALARM

Certification:

Engineers:
CHARLES FORD & ASSOCIATES
 CONSULTING - ENGINEERS & PLANNERS
 4325 GREENBURY AVE., N.W. WASH., D.C. (202) 722-4190

Revisions:	Date:
① PERMIT	10-3-07
② PERMIT	07-8-08
③ PERMIT	11/06/08