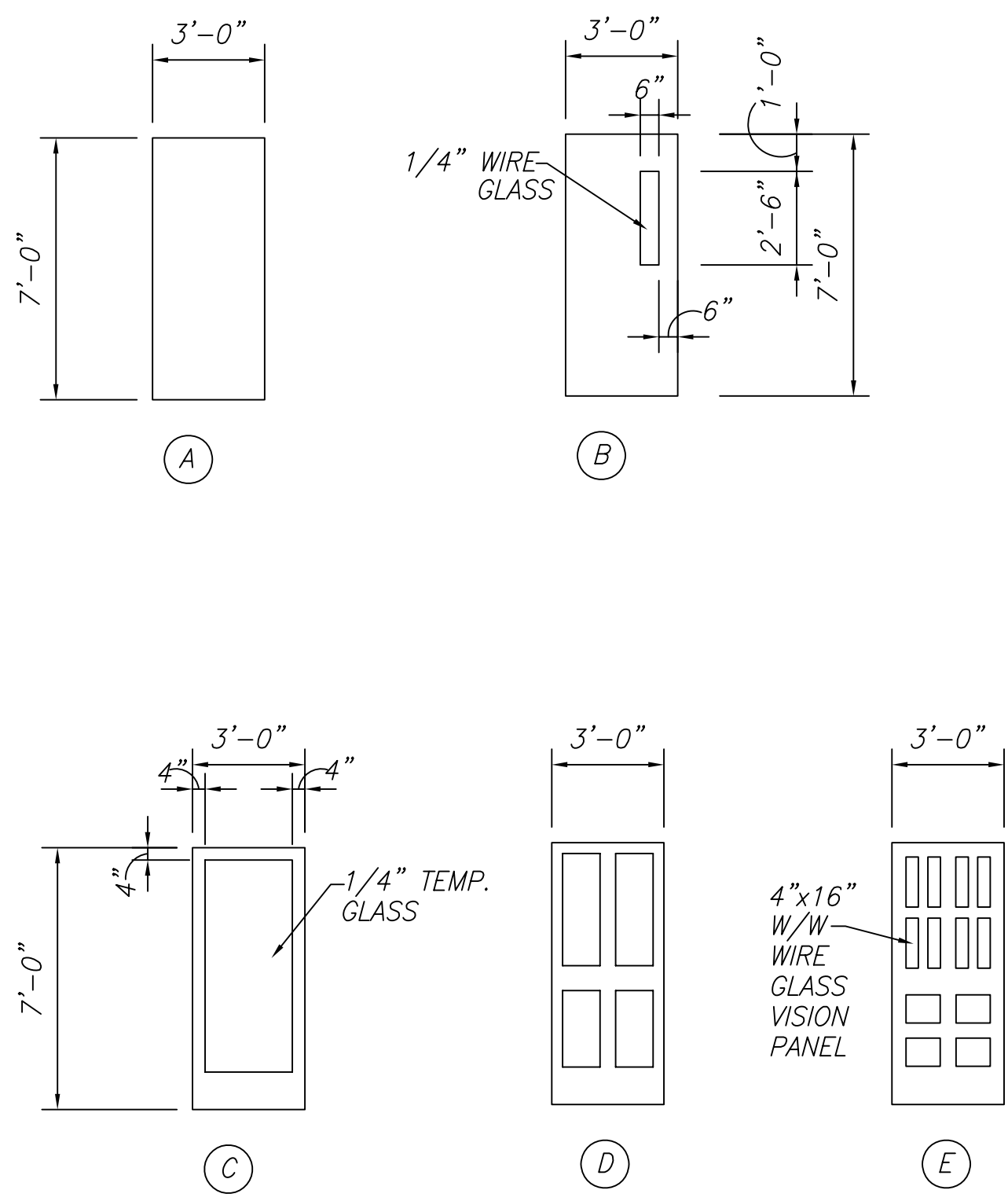
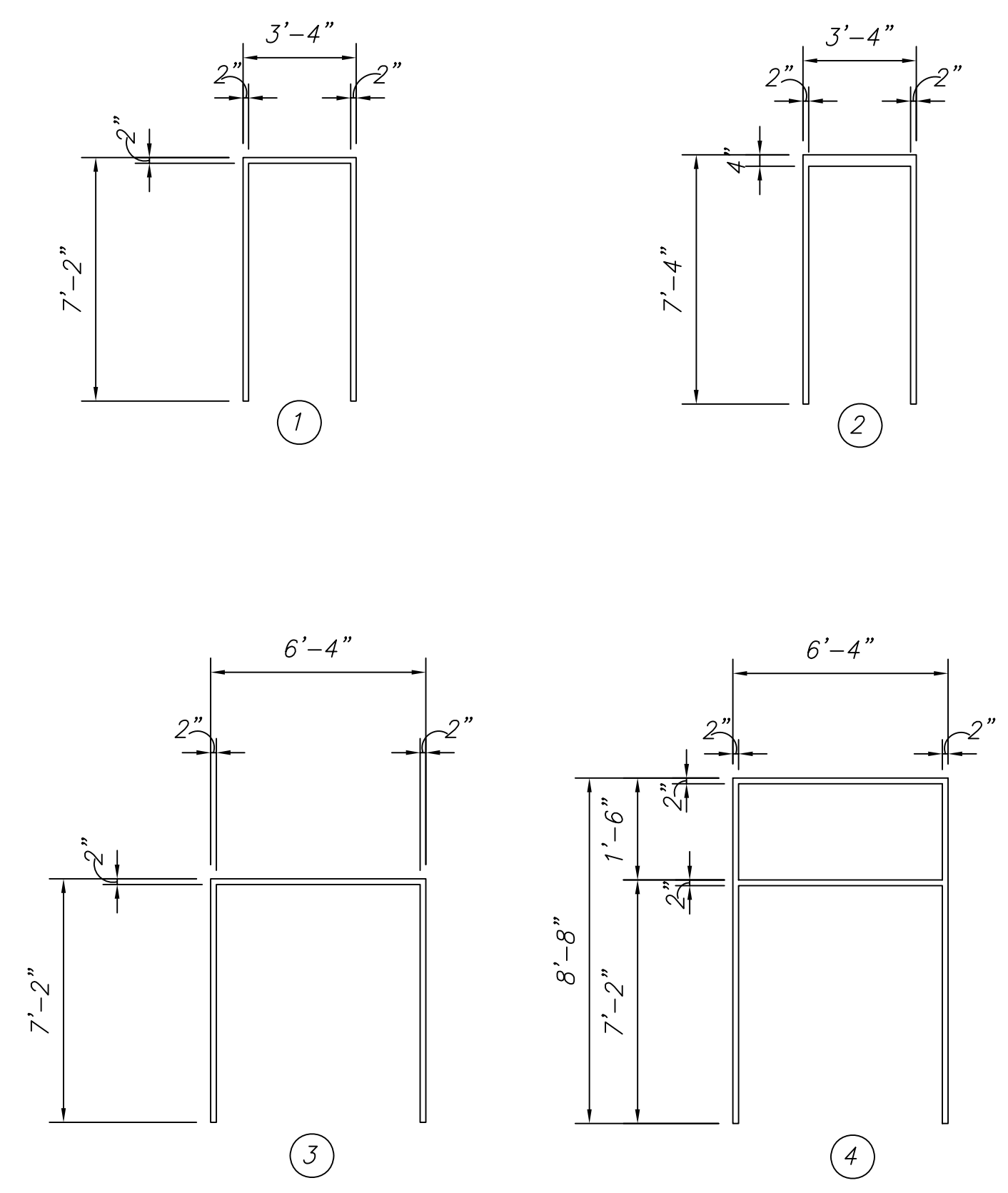


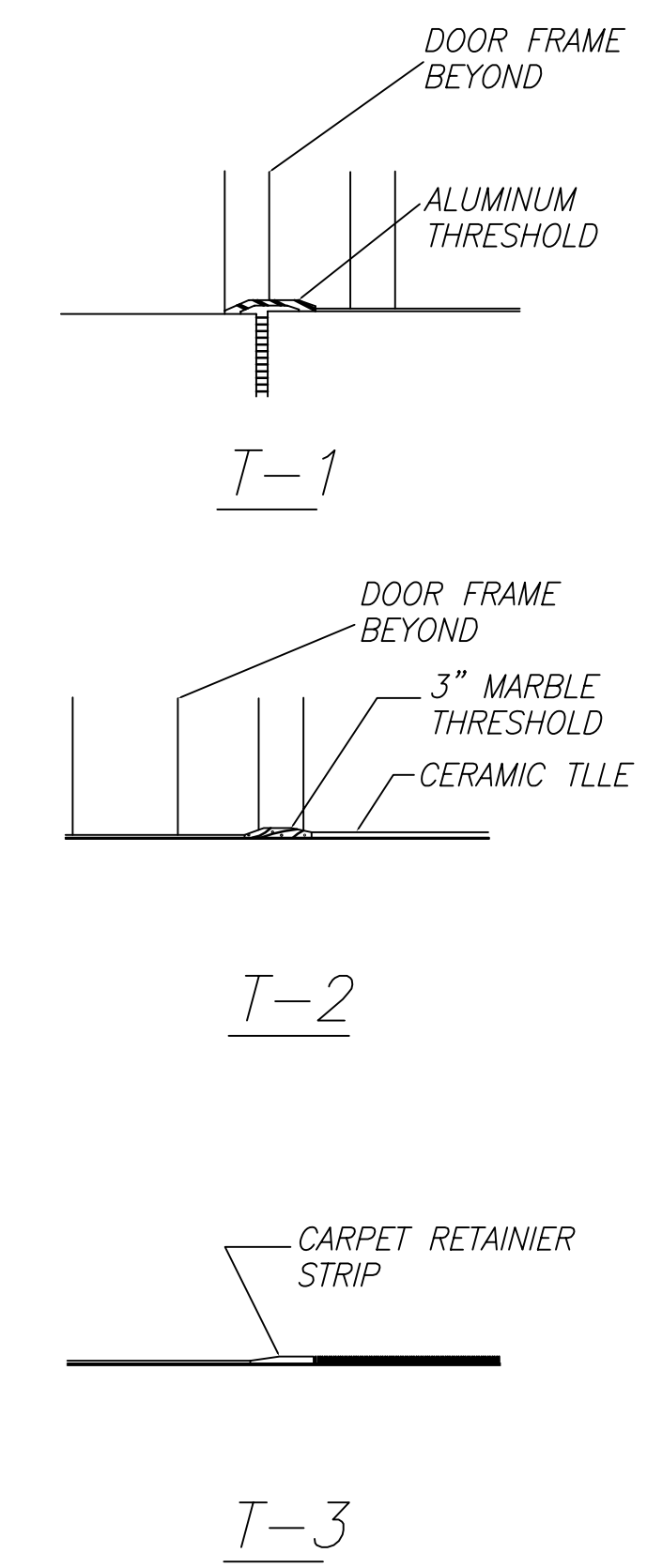
**DOOR TYPES**  
SCALE: 1/4"=1'-0"



**FRAME TYPES**  
SCALE: 1/4"=1'-0"



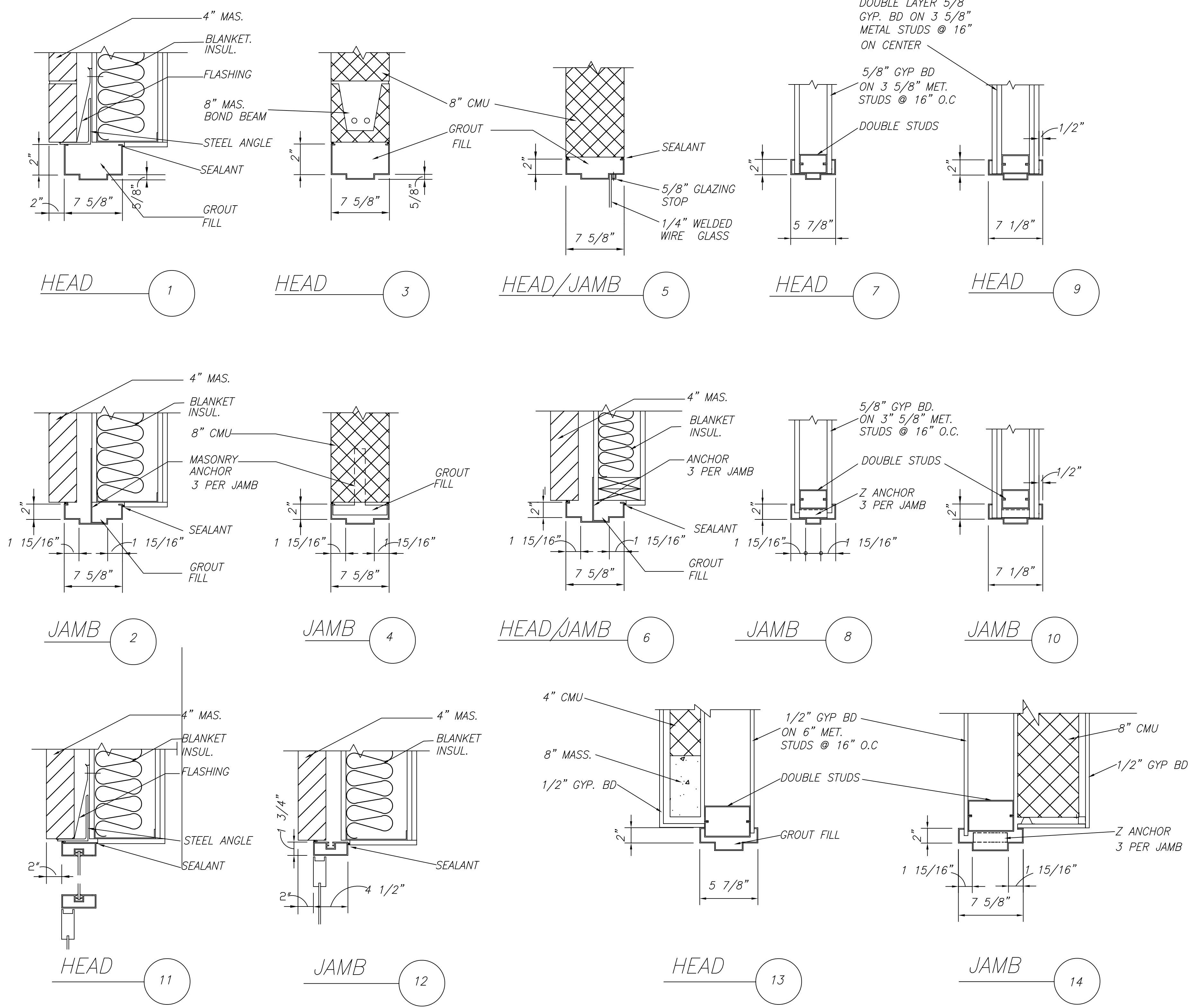
**THRESHOLD TYPES**  
NO SCALE



**DOOR SCHEDULE**

DOOR No.	DOOR SIZE	MATERIAL	TYPE	HEAD	JAMB	THRESHOLD	FRAME	FIRE RATING	HARDWARE SET	SIGNAGE ROOM NO.	REMARKS
B01	3'-0"x 7'-0"x1-3/4"	ALUMINUM	A	1	2	T-1	2	---	HW-2	B01	PROVIDE PANIC HARDWARE
B02	3'-0"x 7'-0"x1-3/4"	METAL	B	7	8	T-3	1	---	HW-9	B02	
B03	3'-0"x 7'-0"x1-3/4"	METAL	B	7	8	T-3	1	---	HW-9	B03	
B04	3'-0"x 7'-0"x1-3/4"	METAL	B	7	8	T-3	1	---	HW-9	B04	
B05	3'-0"x 7'-0"x1-3/4"	METAL	A	7	8	T-2	1	---	HW-8	B05	
B06	3'-0"x 7'-0"x1-3/4"	METAL	A	7	8	T-2	1	---	HW-8	B06	
B07	3'-0"x 7'-0"x1-3/4"	METAL	A	3	4	---	1	1HR. B LABEL	HW-10	B07	
B08	3'-0"x 7'-0"x1-3/4"	WOOD	D	7	8	T-3	1	---	HW-7	B08	
B09	3'-0"x 7'-0"x1-3/4"	METAL	A	7	8	---	1	1HR. B LABEL	HW-10	B09	
B10	3'-0"x 7'-0"x1-3/4"	METAL	B	3	4	---	1	1HR. B LABEL	HW-6	B10	PROVIDE PANIC HARDWARE
B11	3'-0"x 7'-0"x1-3/4"	METAL	B	7	8	---	1	---	HW-13	B11	
B12	PR 3'-0"x7'-0"x1-3/4"	METAL	A	7	8	---	3	---	HW-13	B12	
B13	3'-0"x 7'-0"x1-3/4"	METAL	B	7	8	---	1	---	HW-13	B13	
B14	3'-0"x 7'-0"x1-3/4"	METAL	B	7	8	---	1	---	HW-13	B14	
B15	3'-0"x 7'-0"x1-3/4"	METAL	A	7	8	---	1	1HR. B LABEL	HW-10	B15	
B16	3'-0"x 7'-0"x1-3/4"	METAL	B	7	8	---	1	---	HW-13	B16	
B17	3'-0"x 7'-0"x1-3/4"	METAL	B	7	8	---	1	---	HW-13	B17	
B18	3'-0"x 7'-0"x1-3/4"	METAL	B	7	8	---	1	1HR. B LABEL	HW-13	B18	
B19	3'-0"x 7'-0"x1-3/4"	WOOD	D	7	8	T-3	1	---	HW-7	B19	
B20	2'-8"x 7'-0"x1-3/4"	METAL	A	7	8	T-2	1	1HR. B LABEL	HW-10	B20	
01	PR 3'-0"x 7'-0"x1-3/4"	ALUMINUM	C	11	12	T-1	4	---	HW-1	01	PROVIDE PANIC HARDWARE
02	PR 3'-0"x 7'-0"x1-3/4"	ALUMINUM	C	11	12	T-1	4	---	HW-1	02	PROVIDE PANIC HARDWARE
03	PR 3'-0"x7'-0"x1-3/4"	METAL	B	1	2	T-1	3	---	HW-3	03	PROVIDE PANIC HARDWARE
04	3'-0"x7'-0"x1-3/4"	ALUMINUM	C	11	12	T-1	1	---	HW-2	04	PROVIDE PANIC HARDWARE
05	3'-0"x7'-0"x1-3/4"	METAL	B	1	5	T-1	2	---	HW-4	05	PROVIDE PANIC HARDWARE
06	3'-0"x 7'-0"x1-3/4"	ALUMINUM	C	11	12	T-1	2	---	HW-2	06	PROVIDE PANIC HARDWARE
07	PR 3'-0"x 7'-0"x1-3/4"	WOOD	E	13	14	T-3	3	---	HW-5	07	PROVIDE PANIC HARDWARE
08	PR 3'-0"x 7'-0"x1-3/4"	WOOD	E	13	14	T-3	3	---	HW-5	08	PROVIDE PANIC HARDWARE
09	3'-0"x7'-0"x1-3/4"	METAL	A	7	8	T-3	1	---	HW-9	09	
10	3'-0"x7'-0"x1-3/4"	WOOD	A	3	4	---	1	---	HW-7	10	
11	3'-0"x7'-0"x1-3/4"	WOOD	A	3	4	---	1	---	HW-7	11	
12	3'-0"x7'-0"x1-3/4"	METAL	A	7	8	T-2	1	---	HW-7	12	
13	3'-0"x7'-0"x1-3/4"	METAL	A	7	8	T-3	1	---	HW-9	13	
14	3'-0"x7'-0"x1-3/4"	METAL	A	7	8	T-2	1	1HR. B LABEL	HW-10	14	
15	3'-0"x7'-0"x1-3/4"	METAL	A	7	8	T-3	1	---	HW-9	15	
16	3'-0"x7'-0"x1-3/4"	METAL	A	7	8	T-2	1	1HR. B LABEL	HW-10	16	
17	3'-0"x7'-0"x1-3/4"	METAL	A	7	8	T-3	1	---	HW-9	17	PROVIDE PANIC HARDWARE
18	3'-0"x7'-0"x1-3/4"	METAL	B	7	8	---	1	---	HW-6	18	
19	3'-0"x7'-0"x1-3/4"	METAL	B	7	8	---	1	---	HW-6	19	
20	PR 3'-0"x7'-0"x1-3/4"	WOOD	B	7	8	---	3	---	HW-5	20	PROVIDE PANIC HARDWARE
21	3'-0"x7'-0"x1-3/4"	METAL	A	7	8	T-2	1	---	HW-8	21	
22	3'-0"x7'-0"x1-3/4"	METAL	A	7	8	T-2	1	---	HW-8	22	
23	3'-0"x7'-0"x1-3/4"	METAL	A	7	8	T-3	1	---	HW-9	23	
24	3'-0"x7'-0"x1-3/4"	METAL	A	7	8	T-3	1	---	HW-9	24	
25	3'-0"x7'-0"x1-3/4"	METAL	A	7	8	T-3	1	---	HW-7	25	
26	3'-0"x7'-0"x1-3/4"	METAL	A	7	8	T-3	1	---	HW-7	26	
27	3'-0"x7'-0"x1-3/4"	METAL	A	7	8	T-2	1	---	HW-9	27	
28	3'-0"x7'-0"x1-3/4"	METAL	B	7	8	---	1	---	HW-12	28	PROVIDE PANIC HARDWARE
29	3'-0"x7'-0"x1-3/4"	METAL	A	7	8	---	1	---	HW-6	29	
30	3'-0"x7'-0"x1-3/4"	METAL	A	7	8	---	1	1HR. B LABEL	HW-9	30	
31	3'-0"x7'-0"x1-3/4"	METAL	A	7	8	T-2	1	---	HW-9	31	
32	3'-0"x7'-0"x1-3/4"	METAL	A	7	8	T-2	1	1HR. B LABEL	HW-10	32	
33	PR 3'-0"x7'-0"x1-3/4"	METAL	A	7	8	---	3	1HR. B LABEL	HW-11	33	

**DOOR DETAILS**  
SCALE: 1 1/2"=1'-0"



Copyright 2004 Philip Aaron Lacy, Architect. All rights reserved. No portion of this document may be reproduced without written permission.

Date: 1-14-08  
Revisions:  
COUNTY REVIEW COMMENTS  
COUNTY REVIEW COMMENTS

Consultants:  
WARDER & ASSOCIATES, INC.  
CHURCH EXPANSION SPECIALISTS  
8016 OLD ALEXANDRIA FERRY ROAD  
CLINTON, MARYLAND 20735  
PHONE: 301-868-9900

Certification:

Project Title:  
BETH SHALOM A.M.E. ZION CHURCH  
2501 RITCHIE ROAD  
DISTRICT HEIGHTS, MARYLAND 20735

Philip Aaron Lacy, Architects  
6188 Oxon Hill Road, Suite 303  
Oxon Hill, Maryland 20745  
Phone: 301-567-8223

Date: DEC. 1, 2005  
Scale: 1/4"=1'-0"  
Drawn: FCB  
Checked: PAL  
File No. BETH\_A09

Drawing No.  
A-9  
of

DOOR SCHEDULE