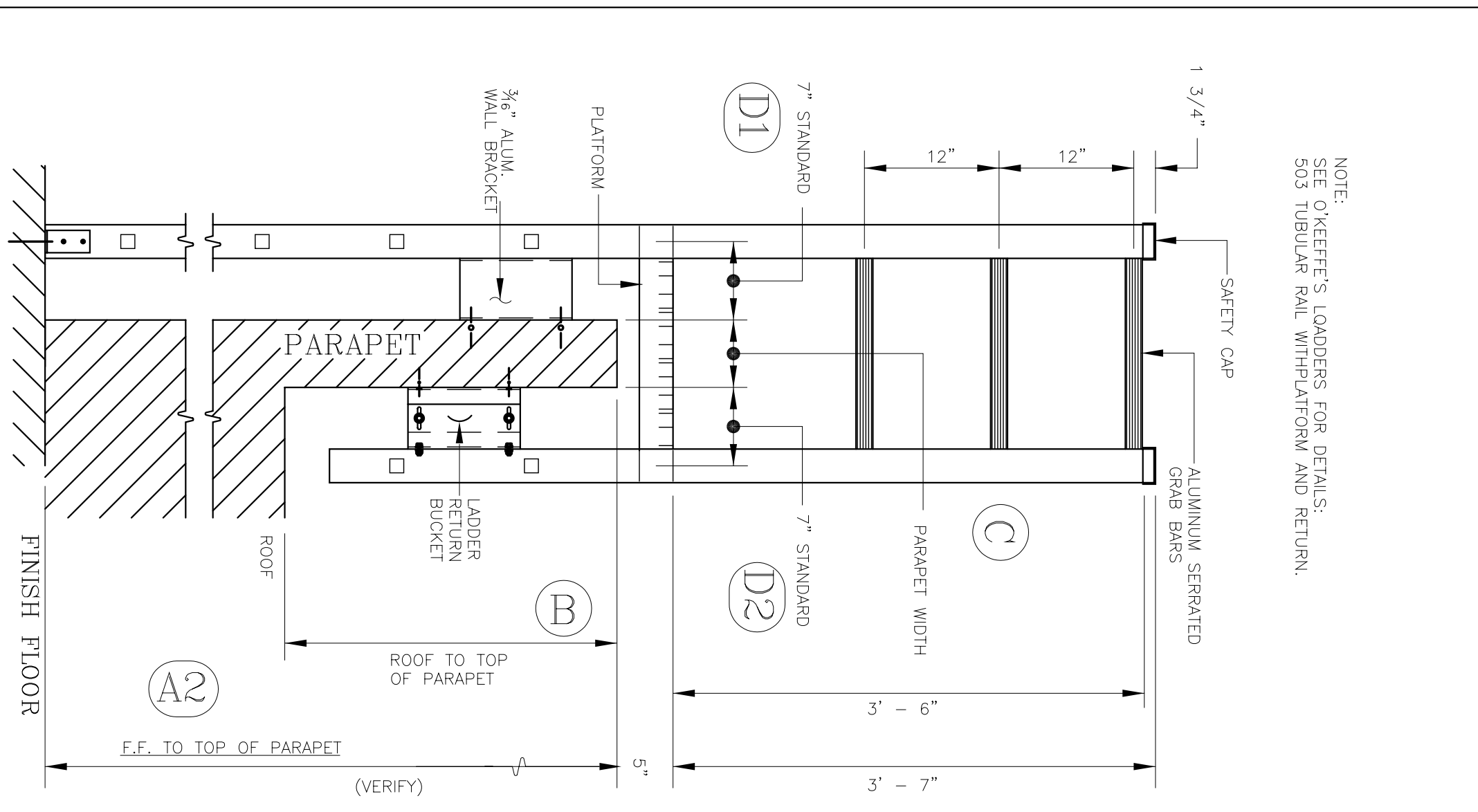
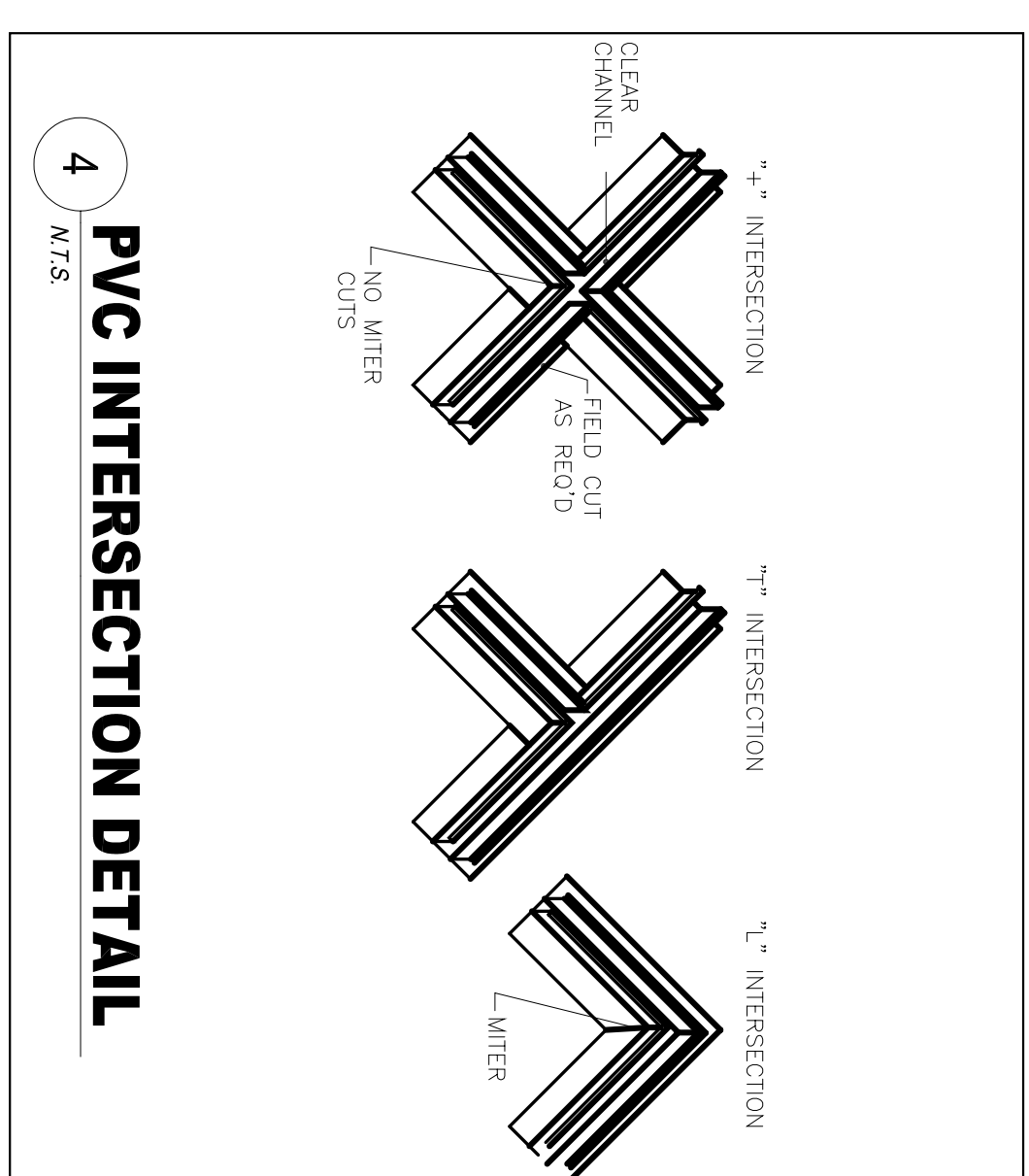
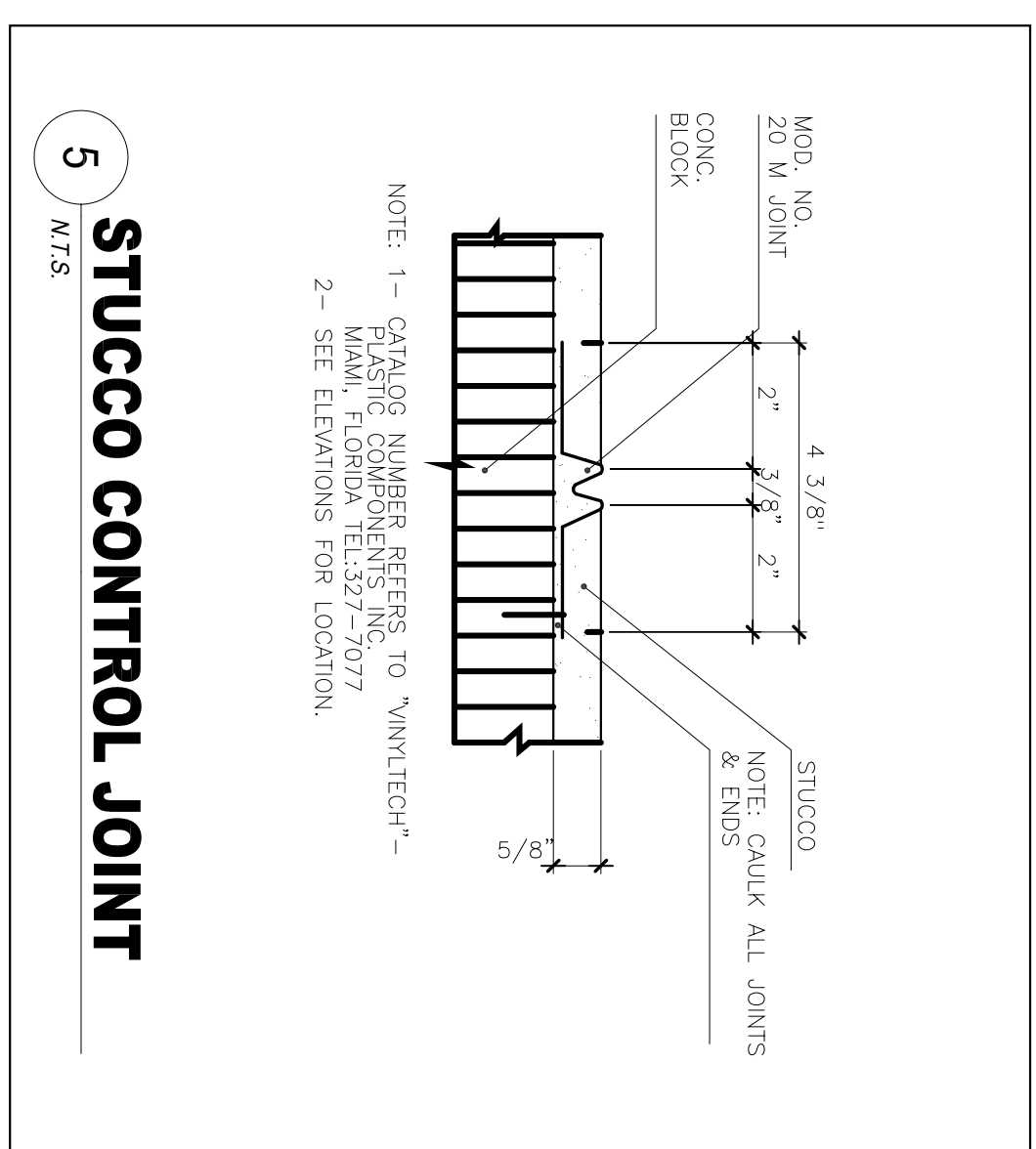
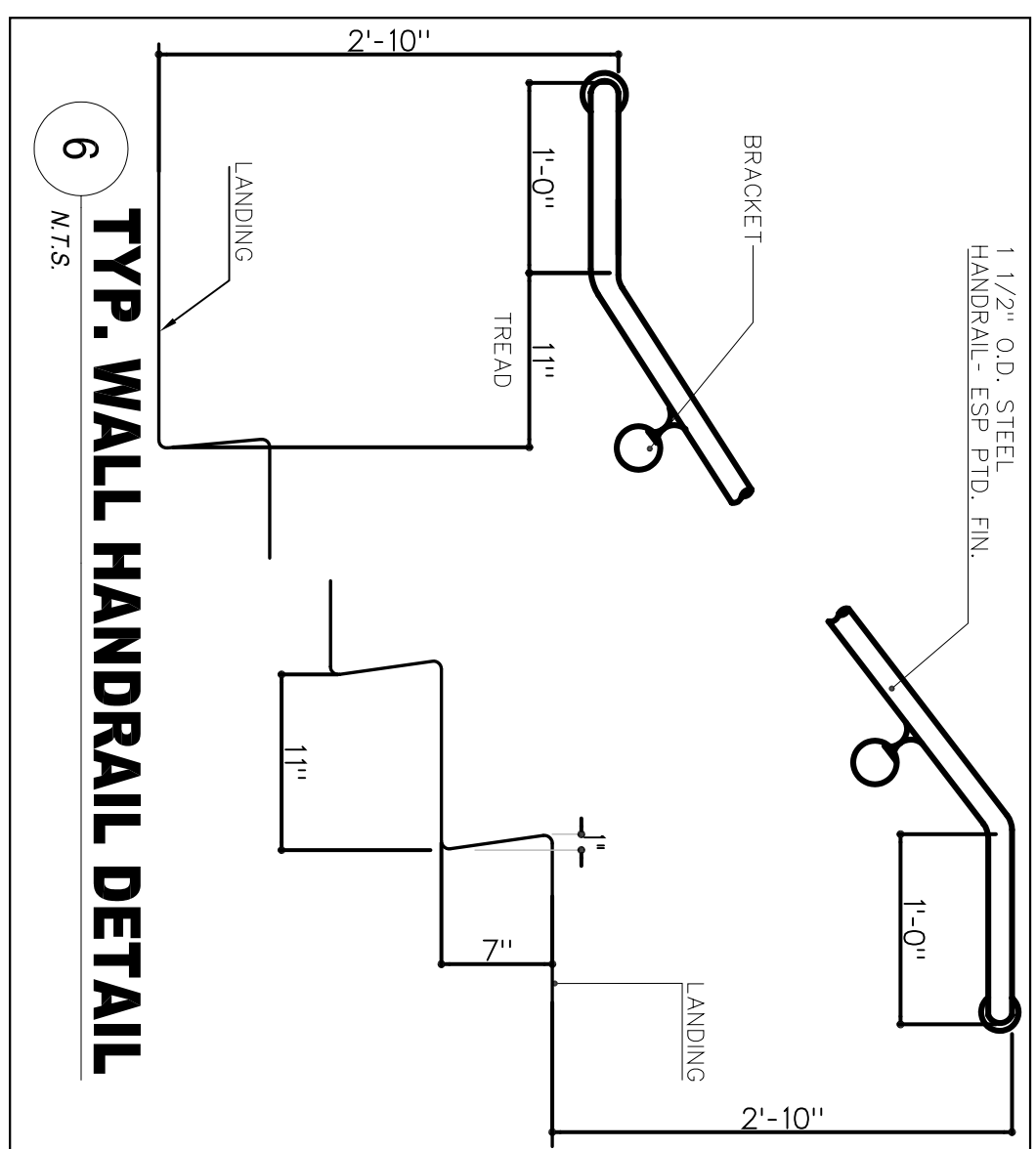
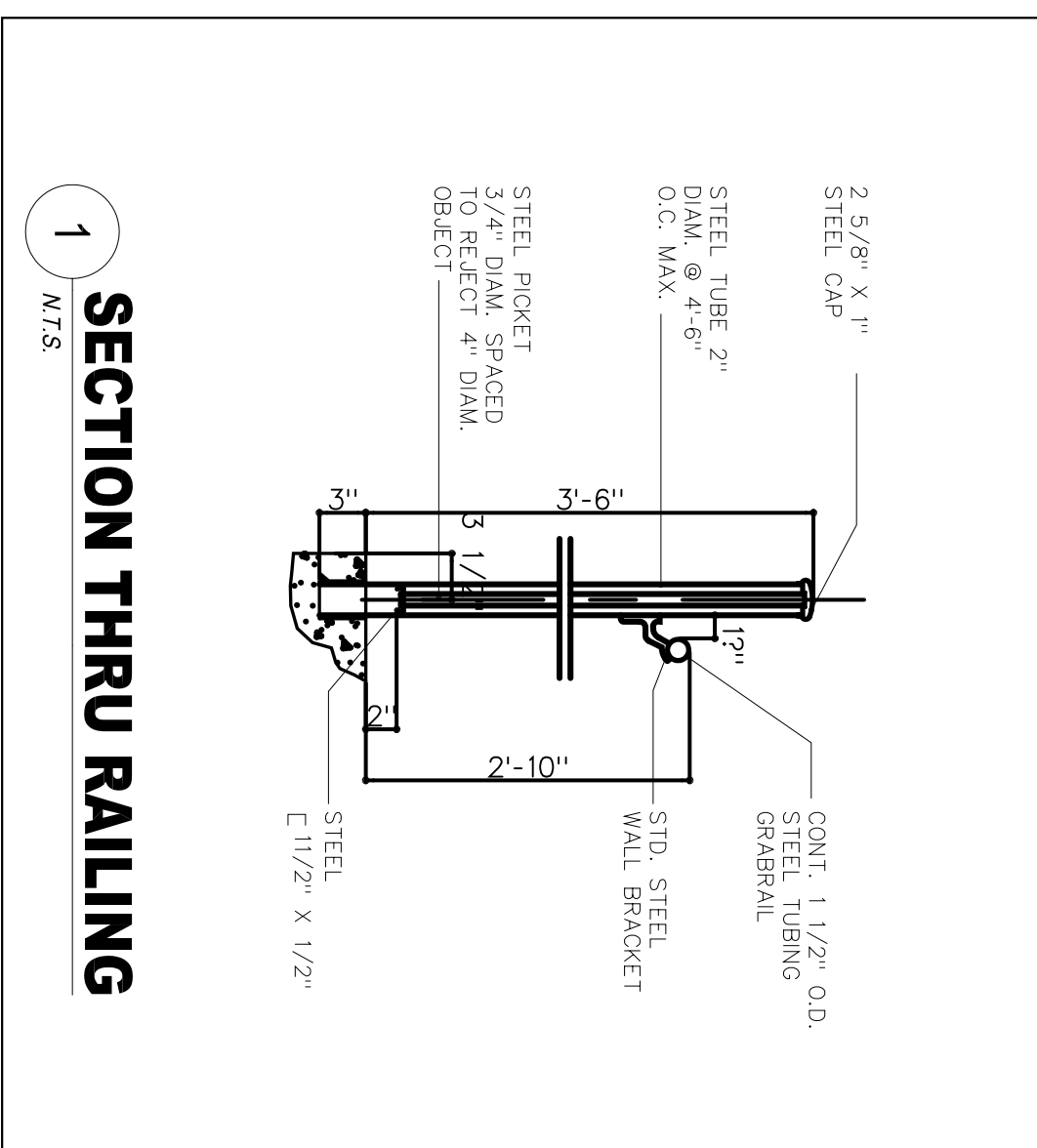
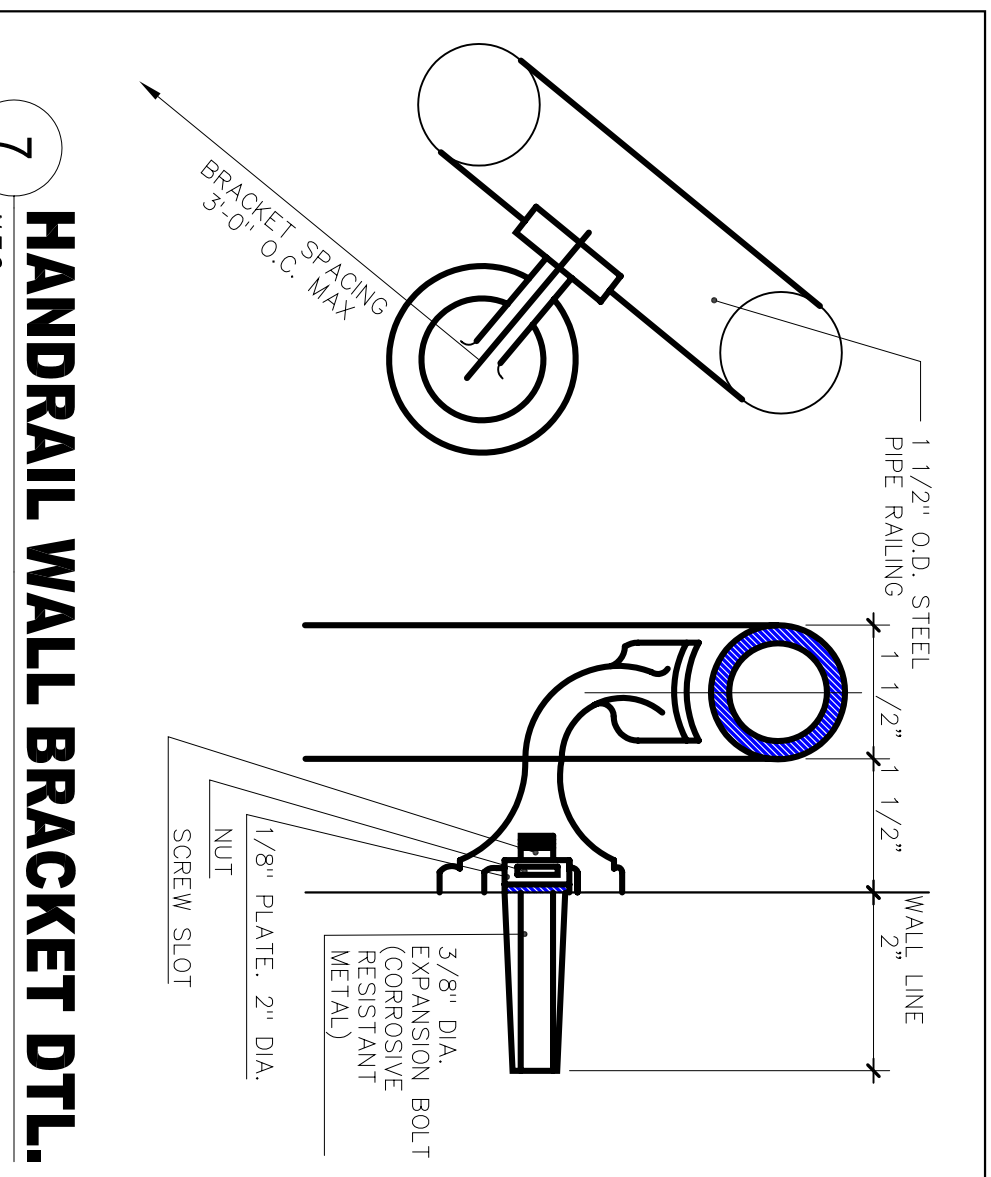
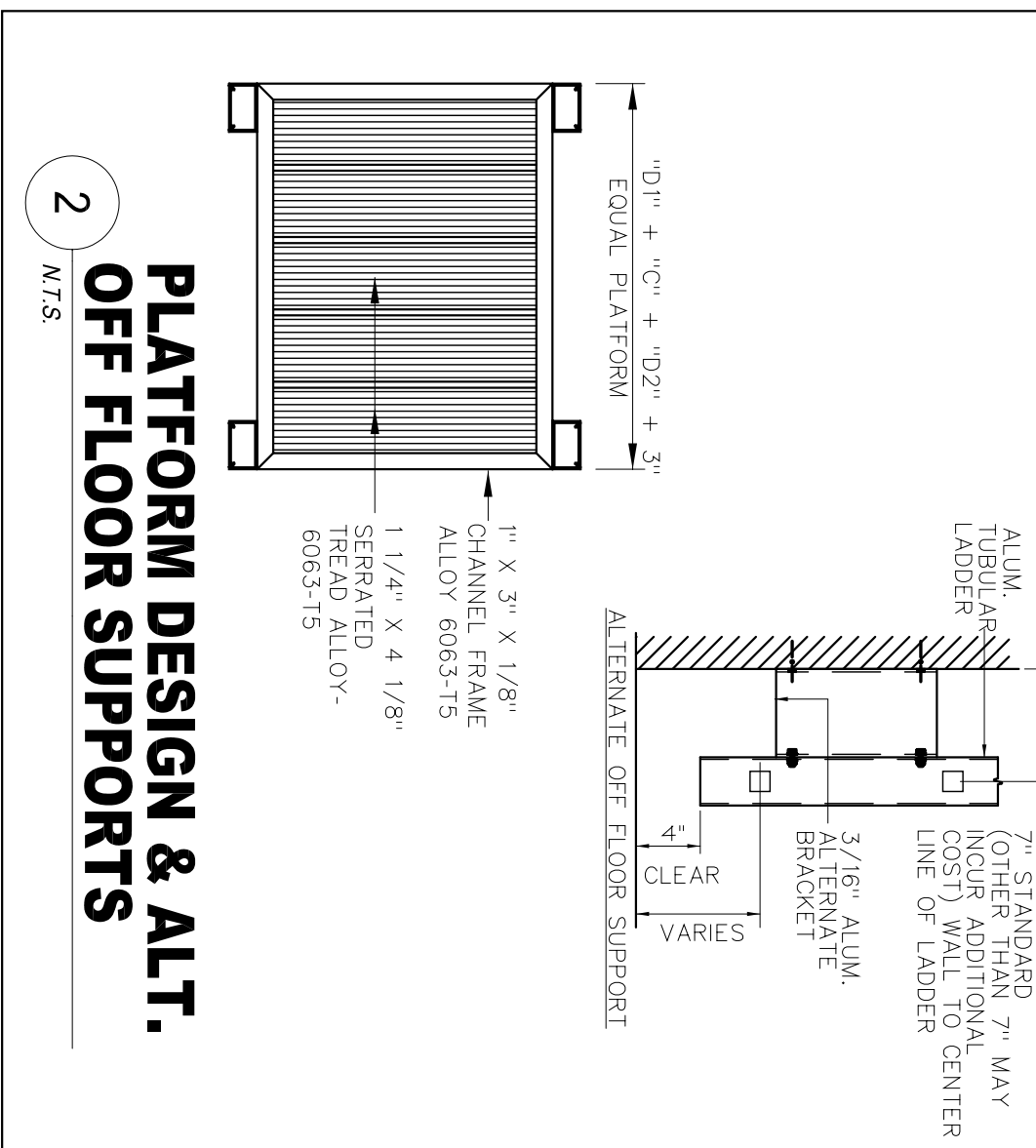


SIDE LADDER DETAIL
N.T.S.



NOTE:
SEE OKEEFEE'S LOADERS FOR DETAILS.
503 TUBULAR RAIL WITH PLATFORM AND RETURN.



GUIDELINES FOR ACCESSIBILITY TO PHYSICALLY DISABLED PERSONS

- FOR THE CONVENIENCE OF THE PHYSICALLY DISABLED, WASHROOM ACCESSORIES SHOULD BE MOUNTED SO THAT OPERATING AREAS, SUCH AS COIN SLOTS, PUSHBUTTONS, OPENING FOR TOWELS & WASTE ARE NO MORE THAN 40" ABOVE FIN. FLOOR.
- FOR THE SAFETY OF THE BLIND, OBJECTS BELOW 6'-6" WHICH PROTRUDE MORE THAN 4" MUST CONTINUE TO THE FLOOR SO THAT THEY MAY BE DETECTED BY A PERSON USING A CANE OR SEEING EYE DOG.
- LAVATORY AT EACH WASHROOM SHOULD PROVIDE:
 - A MINIMUM CLEARANCE OF 24" FROM FIN. FLOOR TO APRON.
 - A MAXIMUM HEIGHT OF 34" FROM FIN. FLOOR TO TOP OF VANITY.
 - INSULATED HOT WATER & DRAINPIPES IF THE WATER EXCEEDS 120.4 F.
 - A SOAP DISPENSER WHICH CAN BE OPERATED WITH ONE HAND.
 - SINGLE LEVER FAUCET CONTROL FOR HOT & COLD WATER.
- TOILET COMPARTMENTS FOR THE DISABLED SHOULD COMPLY W/ THE GUIDELINES OF THE F.A.C.B.C. 1997 EDITION. MIN. CLEAR @ DOOR SHALL BE 32" WIDE MIN. TOILET SHOULD BE 20" IN HEIGHT FROM FINISH FLOOR TO TOP OF TOILET SEAT.
- GRAB BARS SHOULD BE MOUNTED HORIZONTALLY AT A HEIGHT OF 36" FROM FIN. FLOOR & SHOULD BE 1 1/2" IN DIAMETER WITH 1 1/2" CLEARANCE BETWEEN GRAB BAR & WALL. 24" MIN. LENGTH.
- ACCESSORIES WITHIN A TOILET COMPARTMENT SHOULD BE LOCATED BELOW THE GRAB BAR.

A-11.3

CHANGED BY: _____
DRAWN BY: _____
DATE: _____
COMM. NO.: 08-002
REVISIONS: _____
DETAILS: _____
DATE: 08/20/09

RAMOSMARTINEZ
ARCHITECTS, INC. AA 26000528
308 SOUTH ORANGE BLOSSOM TRAIL ORLANDO, FLORIDA

FIRST HAITIAN FREE CHURCH OF NAZARENE

First Haitian Free Church of Nazarene by Faith
ORLANDO, FLORIDA

HABERSTO RAMOS ARCHITECTS

RAMOSMARTINEZ
ARCHITECTS, INC. AA 26000528
MIAMI: 521 N.W. 12th AVENUE MIAMI, FL 33136
TELEPHONE: 305-548-3006
FACSIMILE: 305-548-3220
WEBSITE: www.rmarq.com
NEW YORK: 11 ERIE STREET JERSEY CITY, NJ 07302