

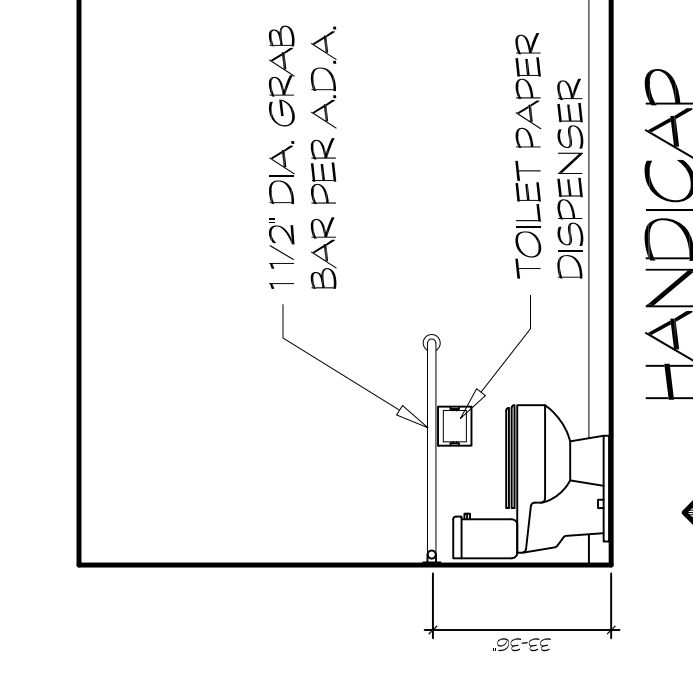
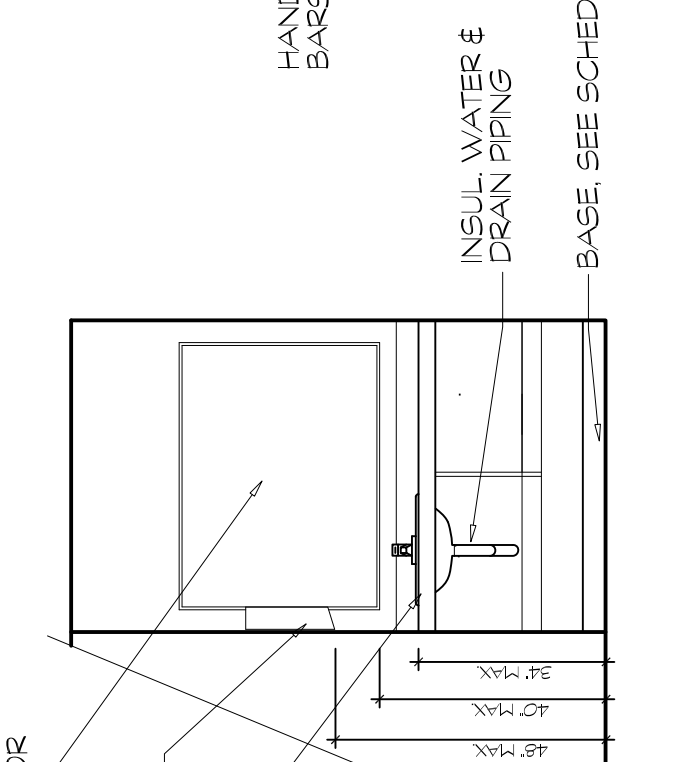
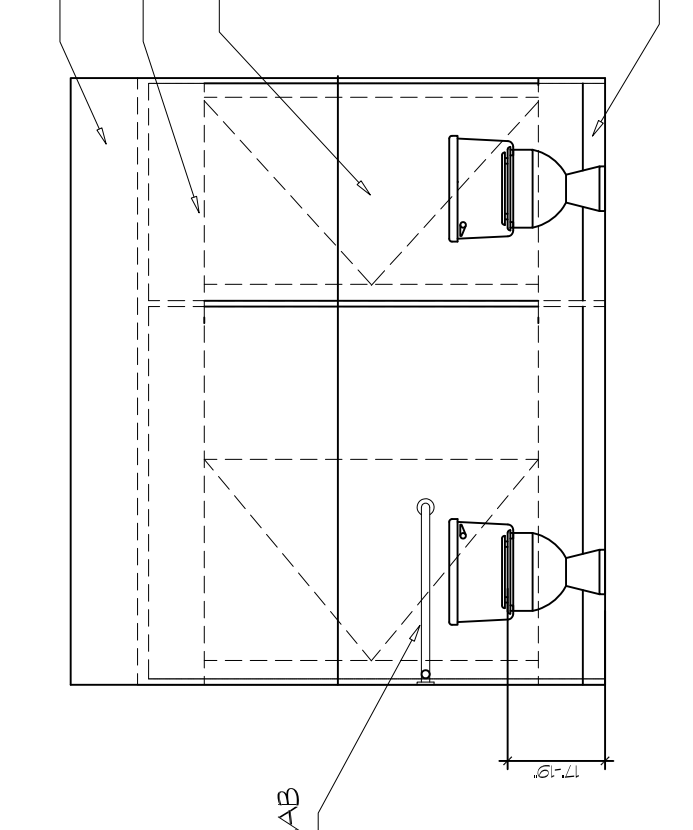
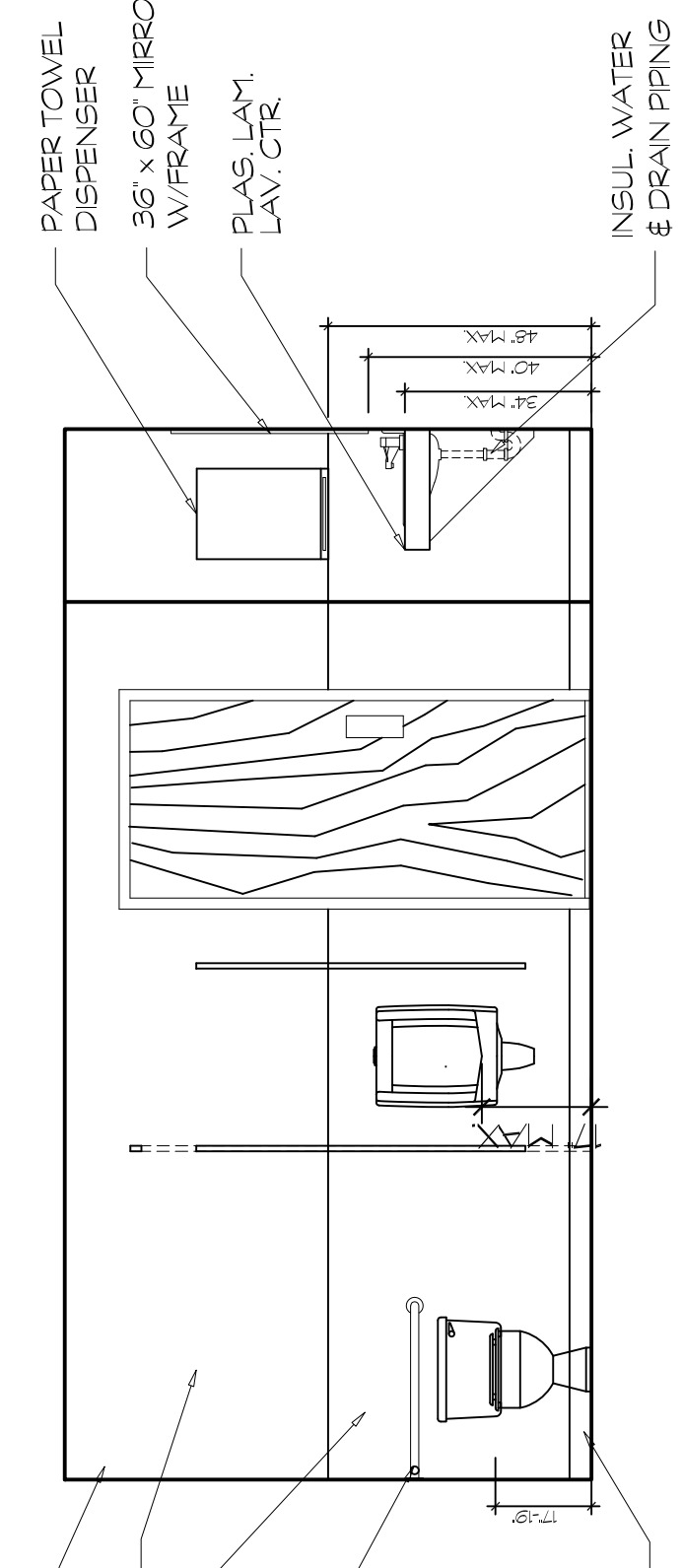
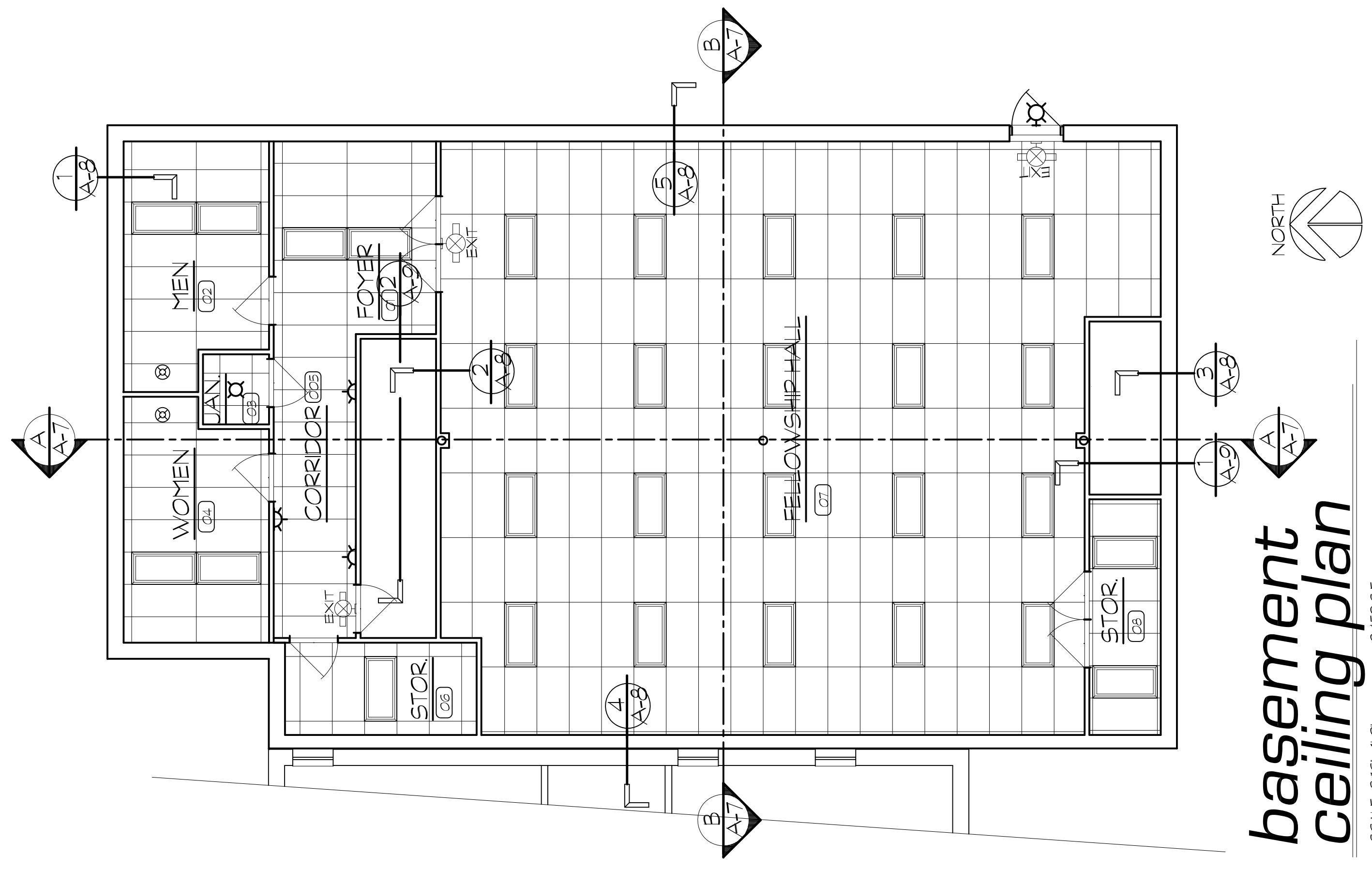
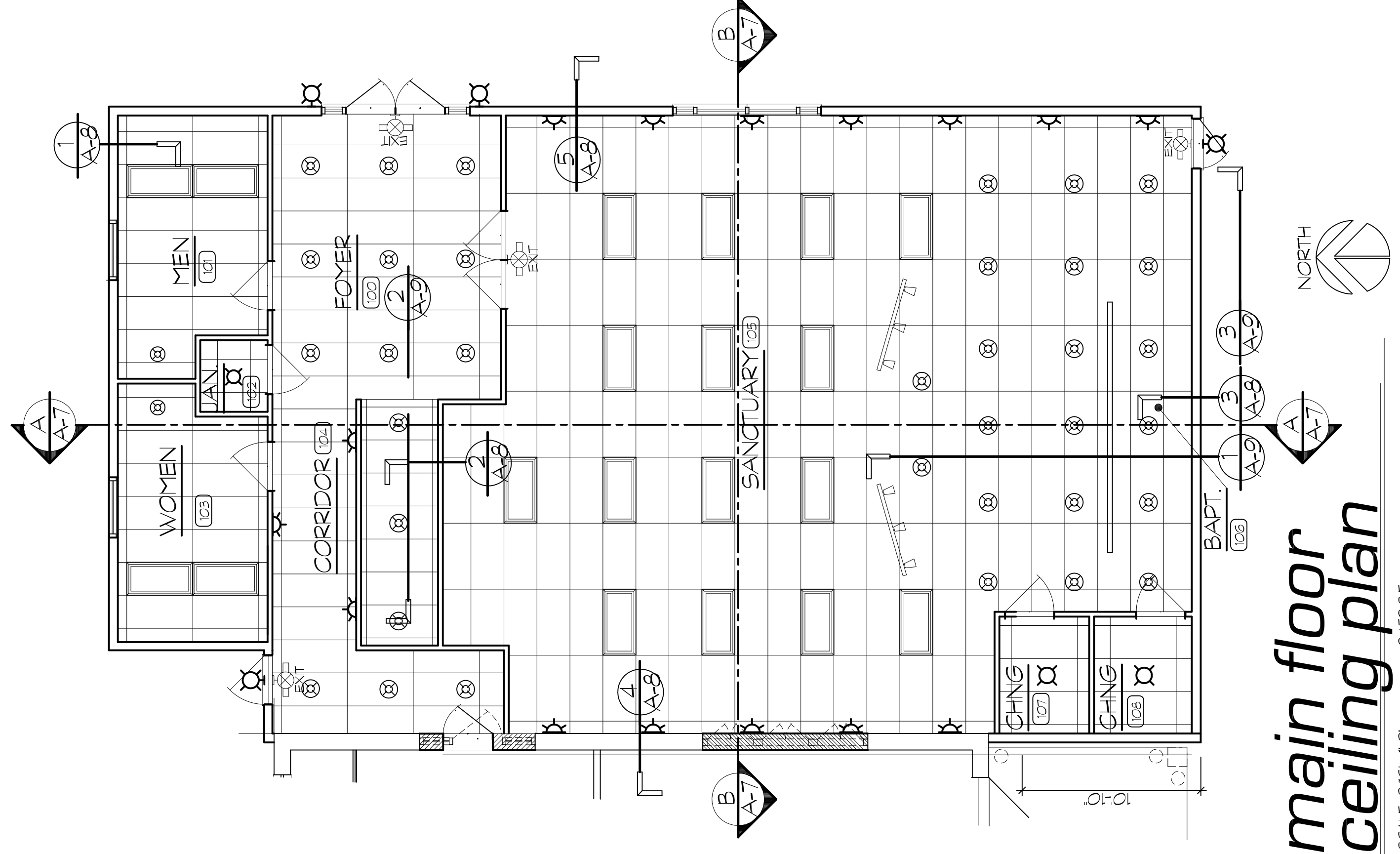
THE DESIGN AND CONSTRUCTION OF THIS DRAWING IS THE SOLE PROPERTY OF THE ARCHITECT. NO PART OF THIS DRAWING AND/OR ANY COPY THEREOF SHALL BE REPRODUCED OR TRANSMITTED IN ANY FORM OR BY ANY MEANS, ELECTRONIC OR MECHANICAL, WITHOUT THE WRITTEN PERMISSION OF THE ARCHITECT & ENGINEER.



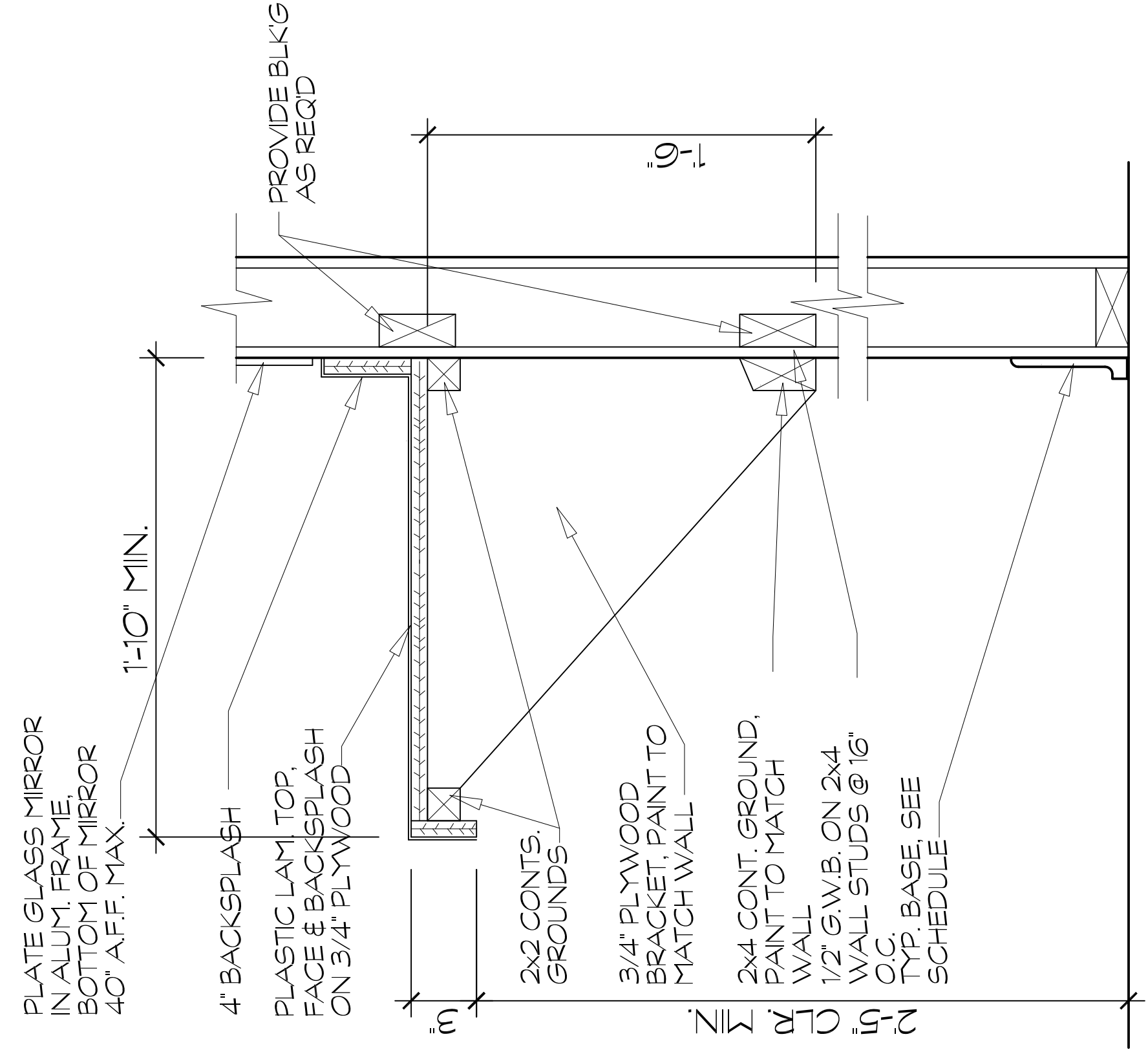
new facility for:
washington seventh day baptist church
 CRITTENDEN @ 16TH, WASHINGTON, D.C.

project no. 2K70609
 drawn by: RICK
 checked by: RICK
 date: AUG. 18, 2008
 scale: AS SHOWN
 sheet no. **A3**

project no. 2K70609
 drawn by: RICK
 checked by: RICK
 date: AUG. 18, 2008
 scale: AS SHOWN
 sheet no. **A3**



NOTE: SEE SHEET AS-1 FOR ACCESSIBILITY STANDARDS FOR TOILET ROOMS



REF. CLG. PLAN LEGEND	
	2x4 SLP. CAB. TILE
	GYP. BOARD W/ PLASTER W/ FINISH
	2x4 SLP. FLOOR INT.
	2x4 SLP. INT. FLOOR INT.
	RECESSED CAN LIGHT
	CLIP 'N' NT. NCAWD PNT.
	WALL INT. NCAWD PNT.
	WALL SURFACE PNT.
	TRUCK LIGHTING FLOOR INT.
	SUPPLY RESETER (SEE MECA PLANS)
	RETURN GRILLE (SEE MECA PLANS)
	EXHAUST FAN (SEE MECA PLANS)
	REC. CAN LIGHT (SEE MECA PLANS)
	CLIP 'N' NT. NCAWD PNT. EXIT BATTERY CO. EMERGENCY LIGHT
	WALL INT. EMERGENCY LIGHT